

# RDS Forum - the association of RDS users

RDS Forum Office  
Av. des Tilleuls 3, Bte. 02  
CH-1203 Geneva  
Switzerland



Tel: +41 22 340 23 42  
Fax: +41 22 340 23 43  
E-mail:DKopitz@compuserve.com  
URL: www.rds.org.uk/

December 1999

**RDS FORUM**

## The new RDS IEC 62106:1999 standard

### Results of the IEC Voting Process:

**Circulation Date:** 1999-09-24

**Closing Date:** 1999-12-15

### Country Status Vote Sent / Received Comments:

Austria P Y 1999-12-14 / 1999-12-14 -  
Belgium O A 1999-12-14 / 1999-12-14 -  
China P Y 1999-12-14 / 1999-12-14 -  
Denmark P Y 1999-12-09 / 1999-12-09 -  
Finland P Y 1999-12-13 / 1999-12-13 -  
France P Y 1999-12-07 / 1999-12-07 -  
Germany P Y 1999-12-06 / 1999-12-06 -  
Greece O A 1999-12-14 / 1999-12-15 -  
Ireland O Y 1999-12-15 / 1999-12-15 -  
Italy P Y 1999-12-13 / 1999-12-13 -  
Japan P N 1999-12-08 / 1999-12-08 Y  
Netherlands P Y 1999-11-02 1999-11-02 -  
Poland O Y 1999-12-06 / 1999-12-06 -  
Portugal O A 1999-12-14 / 1999-12-14 -  
Romania P Y 1999-12-07 1999-12-07 -  
Russian Fed. P Y 1999-11-29 / 1999-11-29 -  
Spain O Y 1999-12-09 / 1999-12-09 -  
Sweden O Y 1999-12-09 / 1999-12-09 -  
United Kingdom P Y 1999-12-07 / 1999-12-07 -

### Approval Criteria Result

**P-members voting: 12**

**P-members in favour: 11 = 92 % >= 67% APPROVED**

**Total votes cast: 16 Total against: 1 = 6 % <= 25% APPROVED**

**Final Decision: APPROVED**

## INTERNATIONAL ELECTROTECHNICAL COMMISSION

---

 SPECIFICATION OF THE RADIO DATA SYSTEM (RDS) FOR VHF/FM SOUND  
 BROADCASTING IN THE FREQUENCY RANGE FROM 87,5 TO 108,0 MHZ

## FOREWORD

- 1) The IEC (International Electrotechnical Commission) is a worldwide organization for standardization comprising all national electrotechnical committees (IEC National Committees). The object of the IEC is to promote international co-operation on all questions concerning standardization in the electrical and electronic fields. To this end and in addition to other activities, the IEC publishes International Standards. Their preparation is entrusted to technical committees; any IEC National Committee interested in the subject dealt with may participate in this preparatory work. International, governmental and non-governmental organizations liaising with the IEC also participate in this preparation. The IEC collaborates closely with the International Organization for Standardization (ISO) in accordance with conditions determined by agreement between the two organizations.
- 2) The formal decisions or agreements of the IEC on technical matters express, as nearly as possible, an international consensus of opinion on the relevant subjects since each technical committee has representation from all interested National Committees.
- 3) The documents produced have the form of recommendations for international use and are published in the form of standards, technical specifications, technical reports or guides and they are accepted by the National Committees in that sense.
- 4) In order to promote international unification, IEC National Committees undertake to apply IEC International Standards transparently to the maximum extent possible in their national and regional standards. Any divergence between the IEC Standard and the corresponding national or regional standard shall be clearly indicated in the latter.
- 5) The IEC provides no marking procedure to indicate its approval and cannot be rendered responsible for any equipment declared to be in conformity with one of its standards.

This International Standard IEC 62106 has been prepared by the IEC Subcommittee 100A: Multimedia end-user equipment, of the Technical Committee 100: Audio, video and multimedia systems and equipment.

This standard is based on the European CENELEC Standard EN 50067:1998 prepared by the RDS Forum, using an earlier specification [8] that was originally developed within the European Broadcasting Union. It was submitted to the National Committees for voting under the Fast Track Procedure as the following documents:

FDIS	Report on voting
100A/XX/FDIS	100A/XX/RVD

Full information on the voting for the approval of this standard can be found in the report indicated in the above table.

Attention is drawn to the fact that there may be Intellectual Property Rights (IPR) in relation to certain provisions of this standard. IPR holders should notify the IEC of their claims.

This publication has not been drafted in complete accordance with the ISO/IEC Directives, Part 3.

Annexes B, C, G, H, K, L and Q are for information only.

Annexes A, D, E, F, J, M, N, and P form an integral part of this standard.

# CONTENTS

	page
0 Scope .....	6
1 Modulation characteristics of the data channel (physical layer) .....	6
1.1 Subcarrier frequency .....	6
1.2 Subcarrier phase .....	6
1.3 Subcarrier level .....	8
1.4 Method of modulation .....	8
1.5 Clock-frequency and data-rate .....	8
1.6 Differential coding .....	8
1.7 Data-channel spectrum shaping .....	9
2 Baseband coding (data-link layer) .....	12
2.1 Baseband coding structure .....	12
2.2 Order of bit transmission .....	12
2.3 Error protection .....	13
2.4 Synchronization of blocks and groups .....	14
3 Message format (session and presentation layers) .....	15
3.1 Addressing .....	15
3.1.1 Design principles .....	15
3.1.2 Principal features .....	15
3.1.3 Group types .....	17
3.1.4 Open data channel / Applications Identification .....	19
3.1.4.1 Use of Open data applications .....	19
3.1.4.2 Open data applications - Group structure .....	20
3.1.5 Coding of the Group types .....	21
3.1.5.1 Type 0 groups: Basic tuning and switching information .....	21
3.1.5.2 Type 1 groups: Programme-item number and slow labelling codes .....	23
3.1.5.3 Type 2 groups: RadioText .....	25
3.1.5.4 Type 3A groups: Applications Identification for Open Data .....	27
3.1.5.5 Type 3B groups: Open data application .....	28
3.1.5.6 Type 4A groups: Clock-time and date .....	28
3.1.5.7 Type 4B groups: Open data application .....	29
3.1.5.8 Type 5 groups : Transparent data channels or ODA .....	29
3.1.5.9 Type 6 groups : In house applications or ODA .....	30
3.1.5.10 Type 7A groups: Radio paging or ODA .....	31
3.1.5.11 Type 7B groups : Open data application .....	31
3.1.5.12 Type 8 groups: Traffic Message Channel or ODA .....	32
3.1.5.13 Type 9 groups: Emergency warning systems or ODA .....	33
3.1.5.14 Type 10 groups: Programme Type Name (Group type 10A) and Open data (Group type 10B) .....	34
3.1.5.15 Type 11 groups: Open data application .....	35
3.1.5.16 Type 12 groups: Open data application .....	36
3.1.5.17 Type 13A groups: Enhanced Radio paging or ODA .....	36
3.1.5.18 Type 13B groups : Open data application .....	37
3.1.5.19 Type 14 groups: Enhanced Other Networks information .....	38
3.1.5.20 Type 15A groups .....	39
3.1.5.21 Type 15B groups: Fast tuning and switching information .....	39

	page
3.2 Coding of information .....	40
3.2.1 Coding of information for control .....	40
3.2.1.1 Programme Identification (PI) codes and Extended Country Codes (ECC) ....	40
3.2.1.2 Programme-type (PTY) codes .....	40
3.2.1.3 Traffic-programme (TP) and traffic-announcement (TA) codes .....	40
3.2.1.4 Music Speech (MS) switch code .....	40
3.2.1.5 Decoder Identification (DI) and Dynamic PTY Indicator (PTYI) codes .....	41
3.2.1.6 Coding of Alternative Frequencies (AFs) in type 0A groups .....	41
3.2.1.7 Programme-item number (PIN) codes .....	46
3.2.1.8 Coding of Enhanced Other Networks information (EON) .....	46
3.2.2 Coding and use of information for display .....	50
3.2.3 Coding of clock-time and date (CT) .....	50
3.2.4 Coding of information for Transparent data channels (TDC) .....	50
3.2.5 Coding of information for In House applications (IH) .....	50
3.2.6 Coding of Radio paging (RP) .....	51
3.2.6.1 Introduction .....	51
3.2.6.2 Identification of paging networks .....	52
3.2.7 Coding of Emergency Warning Systems (EWS) .....	53
4 Description of features .....	54
5 Marking .....	57

ANNEXES

page

<b>Annex A</b> (normative) - Offset words to be used for group and block synchronization .....	59
<b>Annex B</b> (informative) - Theory and implementation of the modified shortened cyclic code .....	60
<b>Annex C</b> (informative) - Implementation of group and block synchronization using the modified shortened cyclic code .....	66
<b>Annex D</b> (normative) - Programme identification codes and Extended country codes .....	69
<b>Annex E</b> (normative) - Character definition for Programme Service name, Programme Type Name, RadioText and alphanumeric Radio paging .....	73
<b>Annex F</b> (normative) - Programme Type codes .....	77
<b>Annex G</b> (informative) - Conversion between time and date conventions .....	81
<b>Annex H</b> (informative) - Specification of the ARI system .....	83
<b>Annex J</b> (normative) - Language identification .....	84
<b>Annex K</b> (informative) - RDS logo .....	86
<b>Annex L</b> (informative) - Open data registration .....	87
<b>Annex M</b> (normative) - Coding of Radio Paging .....	90
<b>Annex N</b> (normative) - Country codes and Extended country codes for countries outside the European Broadcasting Area .....	126
<b>Annex P</b> (normative) - Index of abbreviations .....	131
<b>Annex Q</b> (informative) - Bibliography .....	132

## 0 Scope

The Radio Data System, RDS, is intended for application to VHF/FM sound broadcasts in the range 87.5 MHz to 108.0 MHz which may carry either stereophonic (pilot-tone system) or monophonic programmes. The main objectives of RDS are to enable improved functionality for FM receivers and to make them more user-friendly by using features such as Programme Identification, Programme Service name display and where applicable, automatic tuning for portable and car radios, in particular. The relevant basic tuning and switching information therefore has to be implemented by the type 0 group (see 3.1.5.1), and it is not optional unlike many of the other possible features in RDS.

## 1 Modulation characteristics of the data channel (physical layer)

The Radio Data System is intended for application to VHF/FM sound broadcasting transmitters in the range 87.5 to 108.0 MHz, which carry stereophonic (pilot-tone system) or monophonic sound broadcasts (see ITU-R Recommendation BS.450-2).

It is important that radio-data receivers are not affected by signals in the multiplex spectrum outside the data channel.

The system can be used simultaneously with the ARI (Autofahrer-Rundfunk-Information) system (see annex H), even when both systems are broadcast from the same transmitter. However, certain constraints on the phase and injection levels of the radio-data and ARI signals must be observed in this case (see 1.2 and 1.3).

The data signals are carried on a subcarrier which is added to the stereo multiplex signal (or monophonic signal as appropriate) at the input to the VHF/FM transmitter. Block diagrams of the data source equipment at the transmitter and a typical receiver arrangement are shown in figures 1 and 2, respectively.

### 1.1 Subcarrier frequency

During stereo broadcasts the subcarrier frequency will be locked to the third harmonic of the 19-kHz pilot-tone. Since the tolerance on the frequency of the 19-kHz pilot-tone is  $\pm 2$  Hz (see ITU-R Recommendation BS.450-2), the tolerance on the frequency of the subcarrier during stereo broadcasts is  $\pm 6$  Hz.

During monophonic broadcasts the frequency of the subcarrier will be  $57 \text{ kHz} \pm 6 \text{ Hz}$ .

### 1.2 Subcarrier phase

During stereo broadcasts the subcarrier will be locked either in phase or in quadrature to the third harmonic of the 19 kHz pilot-tone. The tolerance on this phase angle is  $\pm 10^\circ$ , measured at the modulation input to the FM transmitter.

In the case when ARI and radio-data signals are transmitted simultaneously, the phase angle between the two subcarriers shall be  $90^\circ \pm 10^\circ$ .

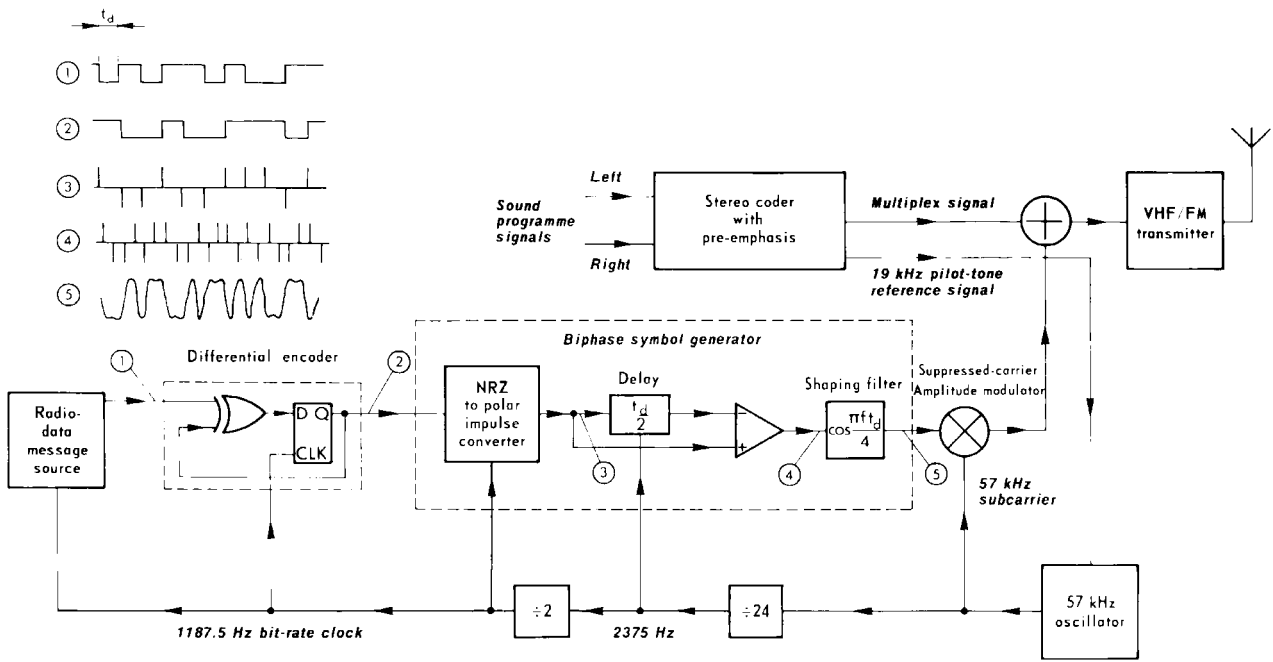
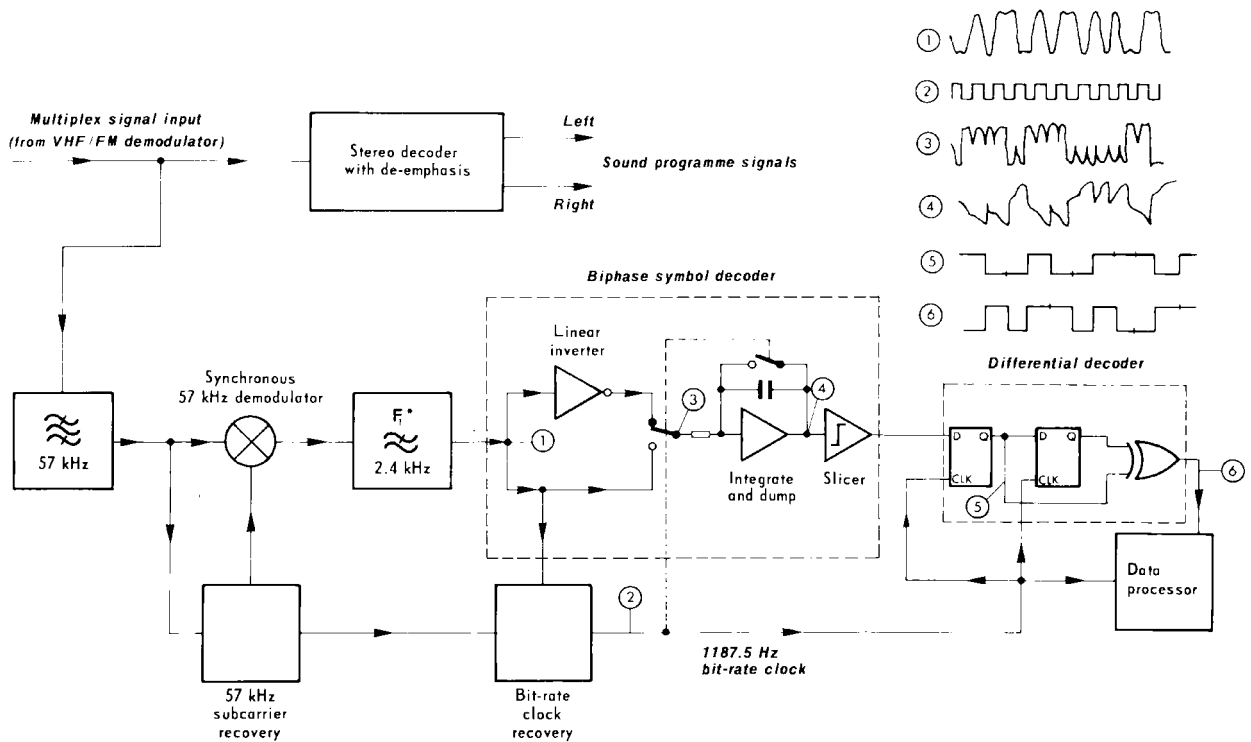


Figure 1 - Block diagram of radio-data equipment at the transmitter



The overall data-shaping in this decoder comprises the filter  $F_1$  and the data-shaping inherent in the biphasic symbol decoder. The amplitude/frequency characteristic of filter  $F_1$  is, therefore, not the same as that given in figure 3.

Figure 2 - Block diagram of a typical radio-data receiver/decoder

### 1.3 Subcarrier level

The deviation range of the FM carrier due to the unmodulated subcarrier is from  $\pm 1.0$  kHz to  $\pm 7.5$  kHz. The recommended best compromise is  $\pm 2.0$  kHz <sup>1)</sup>. The decoder/demodulator shall also operate properly when the deviation of the subcarrier is varied within these limits during periods not less than 10 ms.

In the case when ARI (see annex H) and radio-data signals are transmitted simultaneously, the recommended maximum deviation due to the radio-data subcarrier is  $\pm 1.2$  kHz and that due to the unmodulated ARI subcarrier shall be reduced to  $\pm 3.5$  kHz.

The maximum permitted deviation due to the composite multiplex signal is  $\pm 75$  kHz.

### 1.4 Method of modulation

The subcarrier is amplitude-modulated by the shaped and biphase coded data signal (see 1.7). The subcarrier is suppressed. This method of modulation may alternatively be thought of as a form of two-phase phase-shift-keying (psk) with a phase deviation of  $\pm 90^\circ$ .

### 1.5 Clock-frequency and data-rate

The basic clock frequency is obtained by dividing the transmitted subcarrier frequency by 48. Consequently, the basic data-rate of the system (see figure 1) is 1187.5 bit/s  $\pm 0.125$  bit/s.

### 1.6 Differential coding

The source data at the transmitter are differentially encoded according to the following rules:

**Table 1 - Encoding rules**

Previous output (at time $t_{i-1}$ )	New input (at time $t_i$ )	New output (at time $t_i$ )
0	0	0
0	1	1
1	0	1
1	1	0

where  $t_i$  is some arbitrary time and  $t_{i-1}$  is the time one message-data clock-period earlier, and where the message-data clock-rate is equal to 1187.5 Hz.

---

<sup>1)</sup> With this level of subcarrier, the level of each sideband of the subcarrier corresponds to half the nominal peak deviation level of  $\pm 2.0$  kHz for an "all-zeroes" message data stream (i.e. a continuous bit-rate sine-wave after biphase encoding).



Thus, when the input-data level is 0, the output remains unchanged from the previous output bit and when an input 1 occurs, the new output bit is the complement of the previous output bit.

In the receiver, the data may be decoded by the inverse process:

**Table 2 - Decoding rules**

Previous input (at time $t_{i-1}$ )	New input (at time $t_i$ )	New output (at time $t_i$ )
0	0	0
0	1	1
1	0	1
1	1	0

The data is thus correctly decoded whether or not the demodulated data signal is inverted.

### 1.7 Data-channel spectrum shaping

The power of the data signal at and close to the 57 kHz subcarrier is minimized by coding each source data bit as a biphase symbol.

This is done to avoid data-modulated cross-talk in phase-locked-loop stereo decoders, and to achieve compatibility with the ARI system. The principle of the process of generation of the shaped biphase symbols is shown schematically in figure 1. In concept each source bit gives rise to an odd impulse-pair,  $e(t)$ , such that a logic 1 at source gives:

$$e(t) = \delta(t) - \delta(t - t_d / 2) \tag{1}$$

and a logic 0 at source gives:

$$e(t) = -\delta(t) + \delta(t - t_d / 2) \tag{2}$$

These impulse-pairs are then shaped by a filter  $H_T(f)$ , to give the required band-limited spectrum where:

$$H_T(f) = \begin{cases} \cos \frac{\pi f t_d}{4} & \text{if } 0 \leq f \leq 2/t_d \\ 0 & \text{if } f > 2/t_d \end{cases} \tag{3}$$

and here

$$t_d = \frac{1}{1187.5} \text{ s}$$

The data-spectrum shaping filtering has been split equally between the transmitter and receiver (to give optimum performance in the presence of random noise) so that, ideally, the data filtering at the receiver should be identical to that of the transmitter, i.e. as given above in equation (3). The overall data-channel spectrum shaping  $H_o(f)$  would then be 100% cosine roll-off.

The specified transmitter and receiver low-pass filter responses, as defined in equation (3) are illustrated in figure 3, and the overall data-channel spectrum shaping is shown in figure 4.

The spectrum of the transmitted biphas-coded radio-data signal is shown in figure 5 and the time-function of a single biphas symbol (as transmitted) in figure 6.

The 57 kHz radio-data signal waveform at the output of the radio-data source equipment may be seen in the photograph of figure 7.

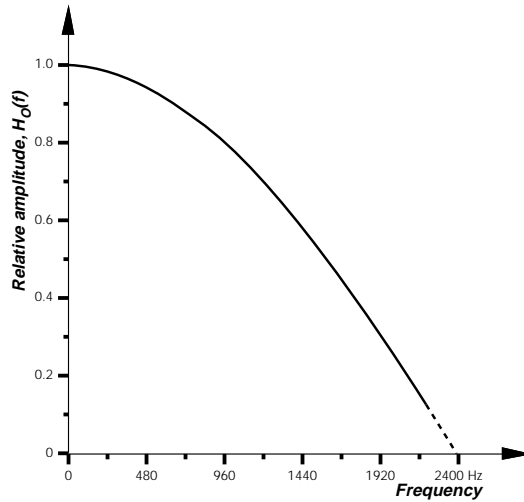


Figure 3 - Amplitude response of the specified transmitter or receiver data-shaping filter

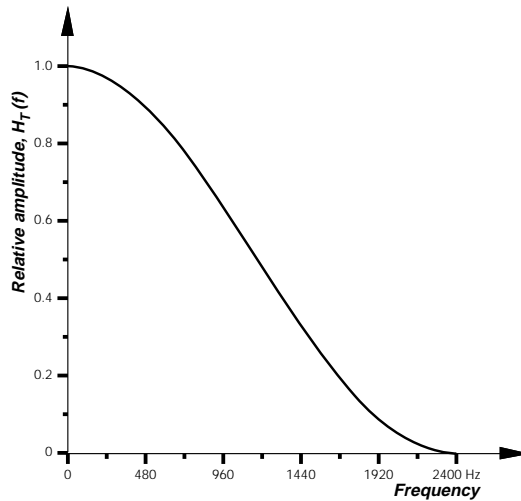


Figure 4 - Amplitude response of the combined transmitter and receiver data-shaping filters

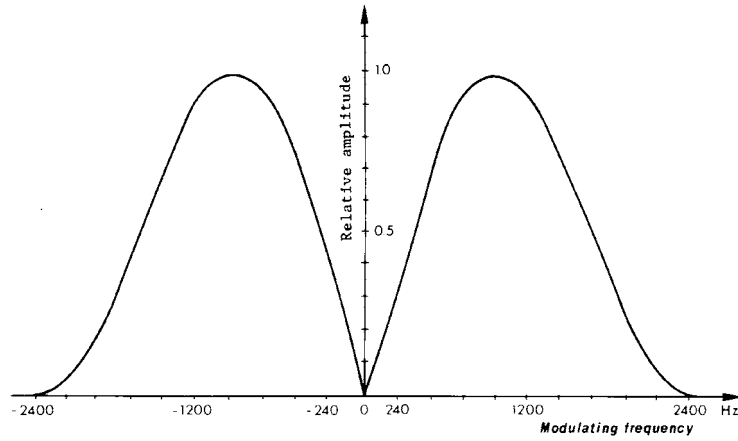


Figure 5 - Spectrum of biphase coded radio-data signals

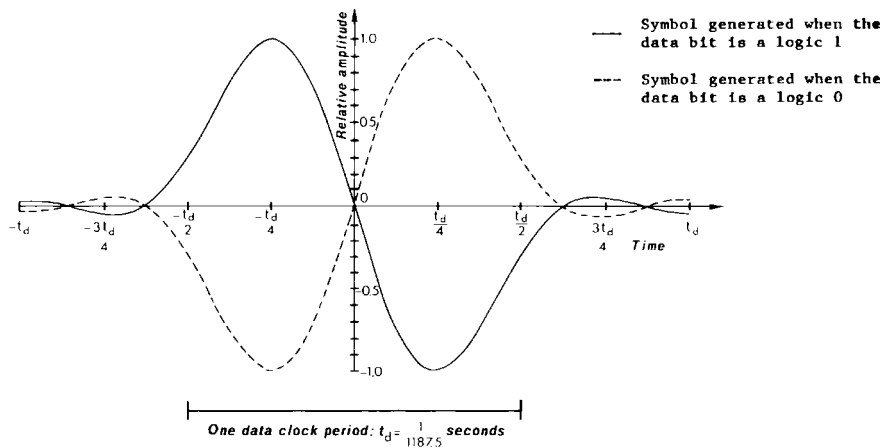


Figure 6 - Time-function of a single biphase symbol

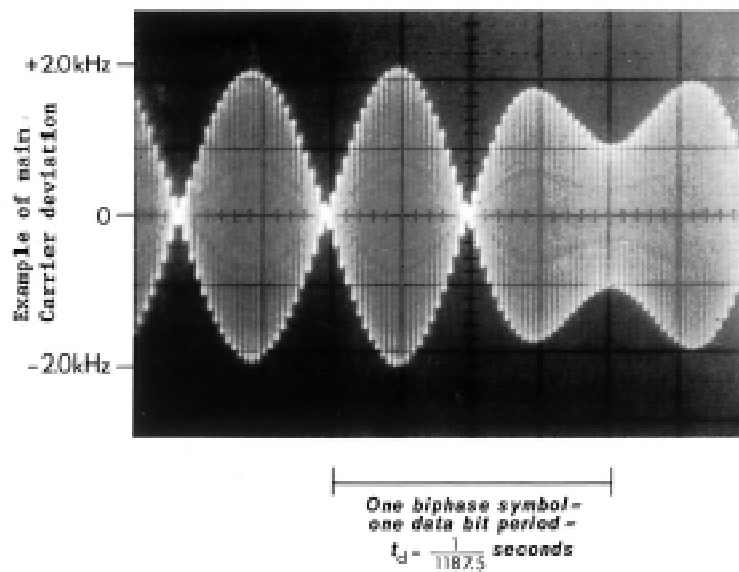


Figure 7 - 57 kHz radio-data signals

## 2 Baseband coding (data-link layer)

### 2.1 Baseband coding structure

Figure 8 shows the structure of the baseband coding. The largest element in the structure is called a "group" of 104 bits each. Each group comprises 4 blocks of 26 bits each. Each block comprises an information word and a checkword. Each information word comprises 16 bits. Each checkword comprises 10 bits (see 2.3).

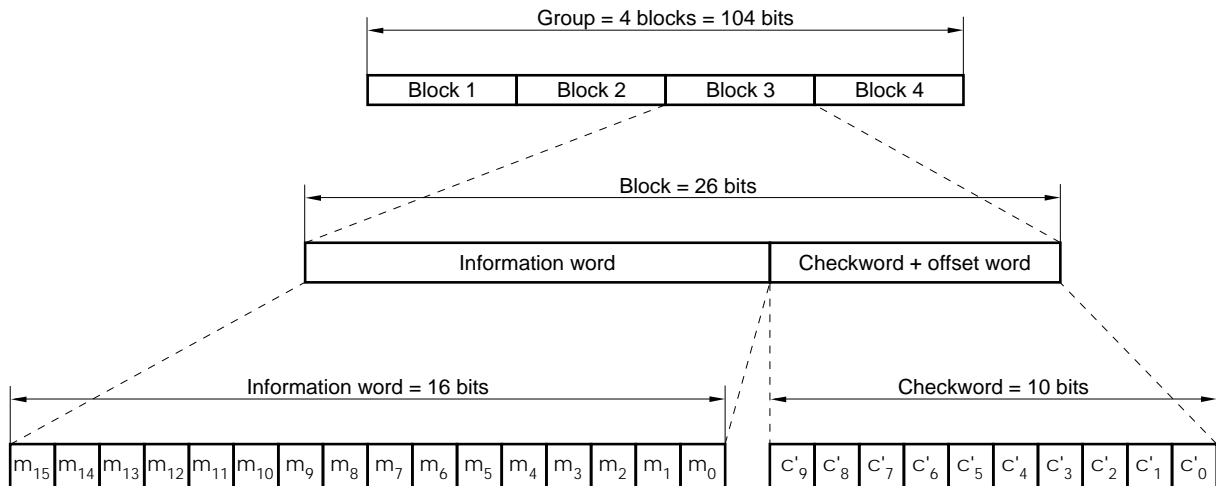
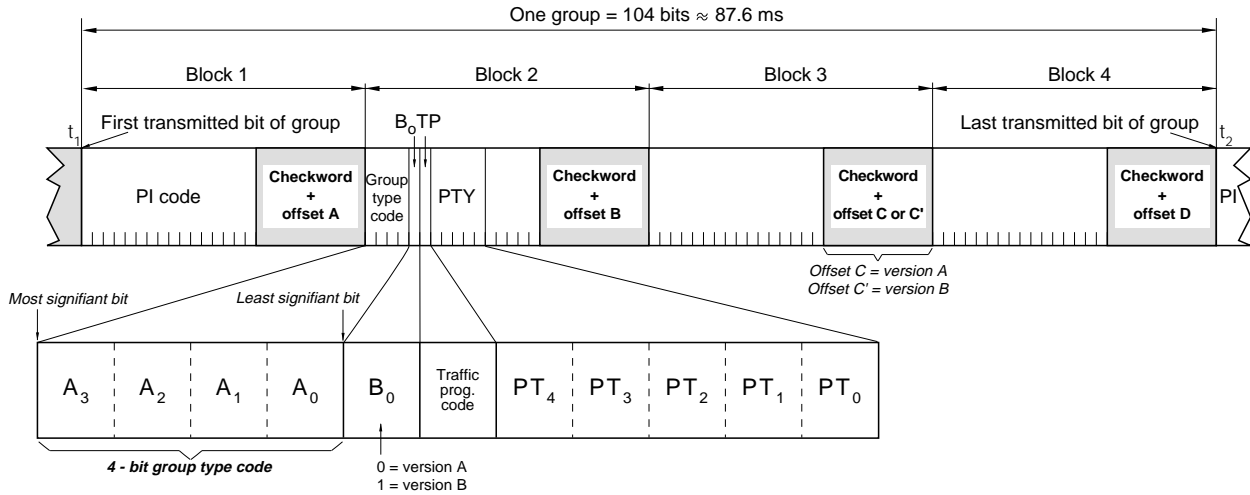


Figure 8 - Structure of the baseband coding

### 2.2 Order of bit transmission

All information words, checkwords, binary numbers or binary address values have their most significant bit (m.s.b.) transmitted first (see figure 9). Thus the last bit transmitted in a binary number or address has weight  $2^0$ .

The data transmission is fully synchronous and there are no gaps between the groups or blocks.



Notes to figure 9:

1. Group type code = 4 bits (see 3.1)
2.  $B_0$  = version code = 1 bit (see 3.1)
3. PI code = Programme Identification code = 16 bits (see 3.2.1.1 and annex D)
4. TP = Traffic Programme Identification code = 1 bit (see 3.2.1.3)
5. PTY = Programme Type code = 5 bits (see 3.2.1.2 and annex F)
6. Checkword + offset "N" = 10 bits added to provide error protection and block and group synchronization information (see 2.3 and 2.4 and annexes A, B and C)
7.  $t_1 < t_2$  : Block 1 of any particular group is transmitted first and block 4 last

Figure 9 - Message format and addressing

### 2.3 Error protection

Each transmitted 26-bit block contains a 10-bit checkword which is primarily intended to enable the receiver/decoder to detect and correct errors which occur in transmission. This checkword (i.e.  $c'_9, c'_8, \dots, c'_0$  in figure 8) is the sum (modulo 2) of:

- a) the remainder after multiplication by  $x^{10}$  and then division (modulo 2) by the generator polynomial  $g(x)$ , of the 16-bit information word,
- b) a 10-bit binary string  $d(x)$ , called the "offset word",

where the generator polynomial,  $g(x)$  is given by:

$$g(x) = x^{10} + x^8 + x^7 + x^5 + x^4 + x^3 + 1$$

and where the offset values,  $d(x)$ , which are different for each block within a group (see 2.4) are given in annex A.

The purpose of adding the offset word is to provide a group and block synchronisation system in the receiver/decoder (see 2.4). Because the addition of the offset is reversible in the decoder the normal additive error-correcting and detecting properties of the basic code are unaffected.

The checkword thus generated is transmitted m.s.b. (i.e. the coefficient of  $c'_9$  in the checkword) first and is transmitted at the end of the block which it protects.

The above description of the error protection may be regarded as definitive, but further explanatory notes on the generation and theory of the code are given in annexes B and C .

The error-protecting code has the following error-checking capabilities [3, 4] :

- a) Detects all single and double bit errors in a block.
- b) Detects any single error burst spanning 10 bits or less.
- c) Detects about 99.8% of bursts spanning 11 bits and about 99.9% of all longer bursts.

The code is also an optimal burst error correcting code [5] and is capable of correcting any single burst of span 5 bits or less.

## 2.4 Synchronisation of blocks and groups

The blocks within each group are identified by the offset words A, B, C or C' and D added to blocks 1, 2, 3, and 4 respectively in each group (see annex A).

The beginnings and ends of the data blocks may be recognized in the receiver decoder by using the fact that the error-checking decoder will, with a high level of confidence, detect block synchronisation slip as well as additive errors. This system of block synchronisation is made reliable by the addition of the offset words (which also serve to identify the blocks within the group). These offset words destroy the cyclic property of the basic code so that in the modified code, cyclic shifts of codewords do not give rise to other codewords [6, 7].

Further explanation of a technique for extracting the block synchronisation information at the receiver is given in annex C.

### 3 Message format (session and presentation layers)

#### 3.1 Addressing

##### 3.1.1 Design principles

The basic design principles underlying the message format and addressing structure are as follows:

- a) The messages which are to be repeated most frequently, and for which a short acquisition time is required e.g. Programme Identification (PI) codes, in general occupy the same fixed positions within every group. They can therefore be decoded without reference to any block outside the one which contains the information.
- b) There is no fixed rhythm of repetition of the various types of group, i.e. there is ample flexibility to interleave the various kinds of message to suit the needs of the users at any given time and to allow for future developments.
- c) This requires addressing to identify the information content of those blocks which are not dedicated to the high-repetition-rate information.
- d) Each group is, so far as possible, fully addressed to identify the information content of the various blocks.
- e) The mixture of different kinds of message within any one group is minimized, e.g. one group type is reserved for basic tuning information, another for RadioText, etc. This is important so that broadcasters who do not wish to transmit messages of certain kinds are not forced to waste channel capacity by transmitting groups with unused blocks. Instead, they are able to repeat more frequently those group types which contain the messages they want to transmit.
- f) To allow for future applications the data formatting has been made flexible. For example, a number of group types (see table 6) may be used for Open Data Applications (see 3.1.4 and 4.9).

##### 3.1.2 Principal features

The main features of the message structure have been illustrated in figure 9. These may be seen to be:

- 1) The first block in every group always contains a Programme Identification (PI) code.
- 2) The first four bits of the second block of every group are allocated to a four-bit code which specifies the application of the group. Groups will be referred to as types 0 to 15 according to the binary weighting  $A_3 = 8$ ,  $A_2 = 4$ ,  $A_1 = 2$ ,  $A_0 = 1$  (see figure 9). For each type (0 to 15) two "versions" can be defined. The "version" is specified by the fifth bit ( $B_0$ ) of block 2 as follows:
  - a)  $B_0 = 0$ : the PI code is inserted in block 1 only. This will be called version A, e.g. 0A, 1A, etc.
  - b)  $B_0 = 1$ : the PI code is inserted in block 1 and block 3 of all group types. This will be called version B, e.g. 0B, 1B, etc.

In general, any mixture of type A and B groups may be transmitted.

- 3) The Programme Type code (PTY) and Traffic Programme identification (TP) occupy fixed locations in block 2 of every group.

The PI, PTY and TP codes can be decoded without reference to any block outside the one that contains the information. This is essential to minimize acquisition time for these kinds of message and to retain the advantages of the short (26-bit) block length. To permit this to be done for the PI codes in block 3 of version B groups, a special offset word (which we shall call C') is used in block 3 of version B groups. The occurrence of offset C' in block 3 of any group can then be used to indicate directly that block 3 is a PI code, without any reference to the value of  $B_0$  in block 2.



### 3.1.3 Group types

It was described above (see also figure 9) that the first five bits of the second block of every group are allocated to a five-bit code which specifies the application of the group and its version, as shown in table 3.

**Table 3 - Group types**

Group type	Group type code/version					Flagged in type 1A groups	Description
	A <sub>3</sub>	A <sub>2</sub>	A <sub>1</sub>	A <sub>0</sub>	B <sub>0</sub>		
0 A	0	0	0	0	0		Basic tuning and switching information only (see 3.1.5.1)
0 B	0	0	0	0	1		Basic tuning and switching information only (see 3.1.5.1)
1 A	0	0	0	1	0		Programme Item Number and slow labelling codes only (see 3.1.5.2)
1 B	0	0	0	1	1		Programme Item Number (see 3.1.5.2)
2 A	0	0	1	0	0		RadioText only (see 3.1.5.3)
2 B	0	0	1	0	1		RadioText only (see 3.1.5.3)
3 A	0	0	1	1	0		Applications Identification for ODA only (see 3.1.5.5)
3 B	0	0	1	1	1		Open Data Applications
4 A	0	1	0	0	0		Clock-time and date only (see 3.1.5.6)
4 B	0	1	0	0	1		Open Data Applications
5 A	0	1	0	1	0		Transparent Data Channels (32 channels) or ODA (see 3.1.5.8)
5 B	0	1	0	1	1		Transparent Data Channels (32 channels) or ODA (see 3.1.5.8)
6 A	0	1	1	0	0		In House applications or ODA (see 3.1.5.9)
6 B	0	1	1	0	1		In House applications or ODA (see 3.1.5.9)
7 A	0	1	1	1	0	Y	Radio Paging or ODA (see 3.1.5.10 and annex M)
7 B	0	1	1	1	1		Open Data Applications
8 A	1	0	0	0	0	Y	Traffic Message Channel or ODA (see 3.1.5.12)
8 B	1	0	0	0	1		Open Data Applications
9 A	1	0	0	1	0	Y	Emergency Warning System or ODA (see 3.1.5.13)
9 B	1	0	0	1	1		Open Data Applications
10 A	1	0	1	0	0		Programme Type Name
10 B	1	0	1	0	1		Open Data Applications
11 A	1	0	1	1	0		Open Data Applications
11 B	1	0	1	1	1		Open Data Applications
12 A	1	1	0	0	0		Open Data Applications
12 B	1	1	0	0	1		Open Data Applications
13 A	1	1	0	1	0	Y	Enhanced Radio Paging or ODA (see annex M)
13 B	1	1	0	1	1		Open Data Applications
14 A	1	1	1	0	0		Enhanced Other Networks information only (see 3.1.5.19)
14 B	1	1	1	0	1		Enhanced Other Networks information only (see 3.1.5.19)
15 A	1	1	1	1	0		Defined in RBDS [15] only
15 B	1	1	1	1	1		Fast switching information only (see 3.1.5.20)

Note: Mark “Y” indicates that group type 1A will be transmitted for the identification of the application, using block 3 of group type 1A (see Figure 14).

The appropriate repetition rates for some of the main features are indicated in table 4:

**Table 4 - Main feature repetition rates**

Main Features	Group types which contain this information	Appropriate repetition rate per sec.
Programme Identification (PI) code	all	11.4 <sup>1)</sup>
Programme Type (PTY) code	all	11.4 <sup>1)</sup>
Traffic Programme (TP) identification code	all	11.4 <sup>1)</sup>
Programme Service (PS) name <sup>4)</sup>	0A, 0B	1
Alternative frequency (AF) code pairs	0A	4
Traffic announcement (TA) code	0A, 0B, 14B, 15B	4
Decoder identification (DI) code	0A, 0B, 15B	1
Music Speech (MS) code	0A, 0B, 15B	4
RadioText (RT) message	2A, 2B	0.2 <sup>2)</sup>
Enhanced other networks information (EON)	14A	up to 2 <sup>3)</sup>
<sup>1)</sup> Valid codes for this item will normally be transmitted with at least this repetition rate whenever the transmitter carries a normal broadcast programme. <sup>2)</sup> A total of 16 type 2A groups are required to transmit a 64 character RadioText message and therefore, to transmit this message in 5 s, 3.2 type 2A groups will be required per second. <sup>3)</sup> The maximum cycle time for the transmission of <u>all</u> data relating to <u>all</u> cross-referenced programme services shall be less than 2 min. <sup>4)</sup> PS shall only be used for identifying the programme service and it must not be used for other messages giving sequential information.		

A total of four type 0A groups are required to transmit the entire PS name and therefore four type 0A groups will be required per second. The repetition rate of the type 0A group may be reduced if more capacity is needed for other applications. But a minimum of two type 0A groups per second is necessary to ensure correct functioning of PS and AF features. However, with EON receivers search tuning is affected by the repetition rate of type 0 groups (TP/TA, see 3.2.1.3). It shall be noted that in this case transmission of the complete PS will take 2 s. However, under typical reception conditions the introduction of errors will cause the receiver to take 4 s or more to acquire the PS name for display.

The following mixture of groups is suitable to meet the repetition rates noted above.

**Table 5 - Group repetition rates**

Group types	Features	Typical proportion of groups of this type transmitted
0A or 0B	PI, PS, PTY, TP, AF <sup>1)</sup> , TA, DI, MS	40%
1A or 1B	PI, PTY, TP, PIN	10%
2A or 2B	PI, PTY, TP, RT	15% <sup>2)</sup>
14A or 14B	PI, PTY, TP, EON	10%
Any other	Other applications	25%
<sup>1)</sup> Type 0A group only <sup>2)</sup> Assuming that type 2A groups are used to transmit a 32-character RadioText message. A mixture of type 2A and 2B groups in any given message shall be avoided (see 3.1.5.3)		

### 3.1.4 Open data channel / Applications Identification

#### 3.1.4.1 Use of Open Data Applications

Open Data Applications (ODA) are not explicitly specified in this standard. They are subject to a registration process and registered applications are listed in the EBU/RDS Forum - ODA Directory (see annex L), which references appropriate standards and normative specifications. These specifications may however be public (specification in the public domain) or private (specification not in the public domain). The terms public and private do not imply the degree of access to services provided by an application, for example a public service may include encryption.

An ODA may use type A and/or type B groups, however it must not be designed to operate with a specific group type. The specific group type used by the ODA in any particular transmission is signalled in the Applications Identification (AID) carried in type 3A groups (see 3.1.5.4). Table 6 shows the type A and type B groups that may be allocated to ODA. Group types not shown in table 6 are not available for ODA.

**Table 6 - ODA group availability signalled in type 3A groups**

Group type	Application group type code	Availability for Open Data Applications
	00000	Special meaning: Not carried in associated group
3B	00111	Available unconditionally
4B	01001	Available unconditionally
5A	01010	Available when not used for TDC
5B	01011	Available when not used for TDC
6A	01100	Available when not used for IH
6B	01101	Available when not used for IH
7A	01110	Available when not used for RP
7B	01111	Available unconditionally
8A	10000	Available when not used for TMC
8B	10001	Available unconditionally
9A	10010	Available when not used for EWS
9B	10011	Available unconditionally
10B	10101	Available unconditionally
11A	10110	Available unconditionally
11B	10111	Available unconditionally
12A	11000	Available unconditionally
12B	11001	Available unconditionally
13A	11010	Available when not used for RP
13B	11011	Available unconditionally
	11111	Special meaning: Temporary data fault (Encoder status)

3.1.4.2 Open Data Applications - Group structure

Open Data Applications shall use the format shown in figure 10 for ODA type A groups and in figure 11 for ODA type B groups.

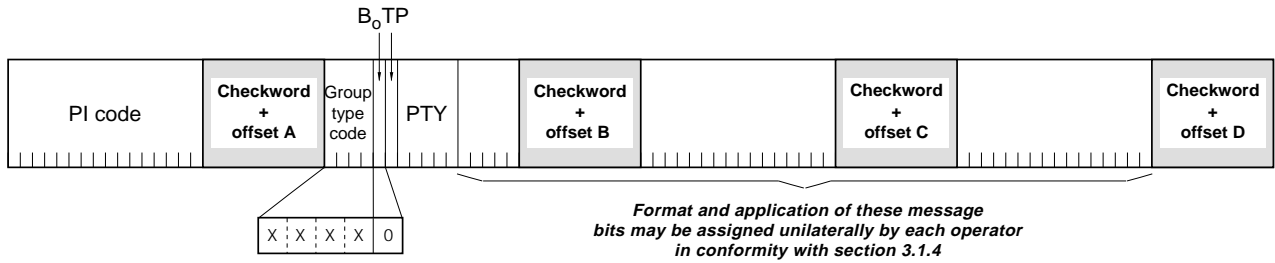


Figure 10 - ODA type A groups

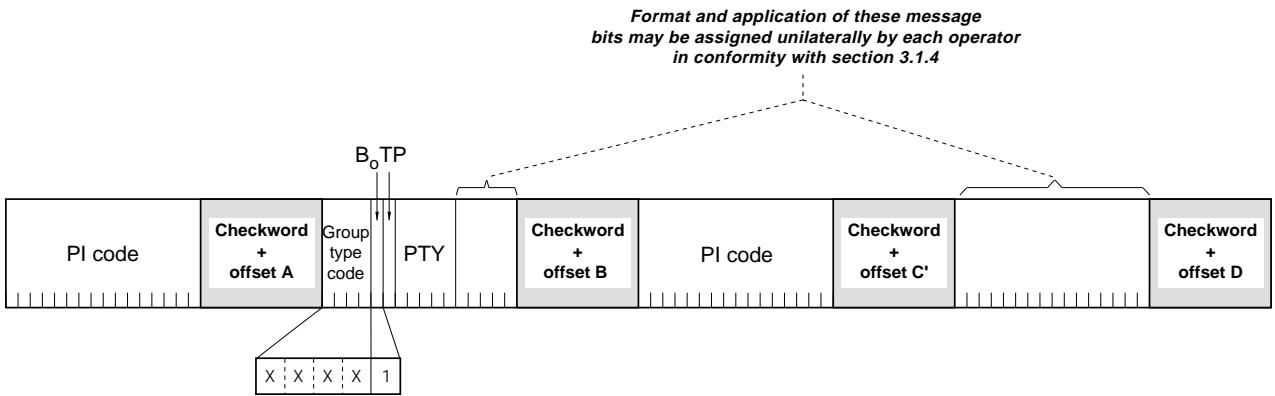


Figure 11- ODA type B groups

### 3.1.5 Coding of the Group types

#### 3.1.5.1 Type 0 groups: Basic tuning and switching information

The repetition rates of type 0 groups must be chosen in compliance with 3.1.3.

Figure 12 shows the format of type 0A groups and figure 13 the format of type 0B groups.

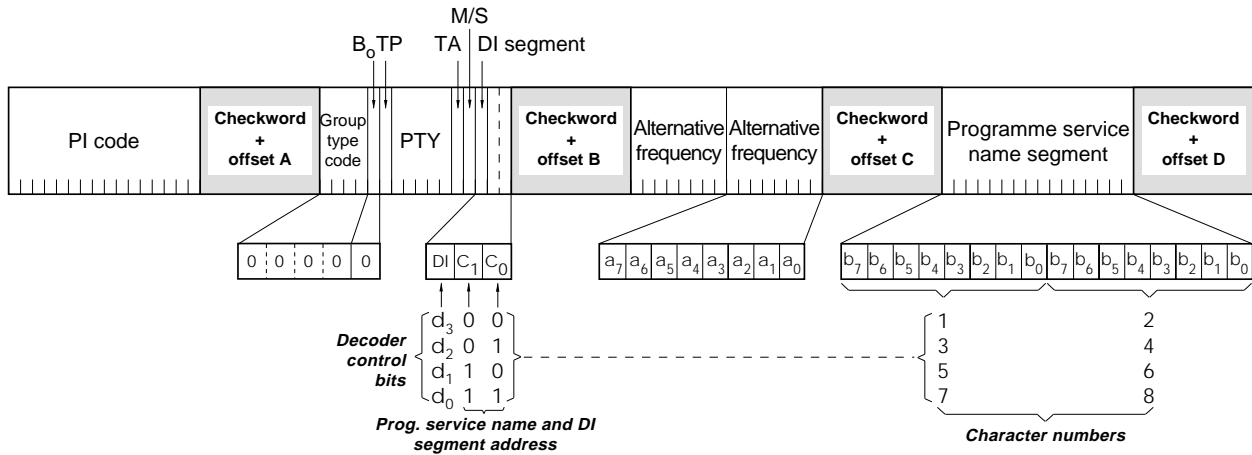


Figure 12 - Basic tuning and switching information - Type 0A group

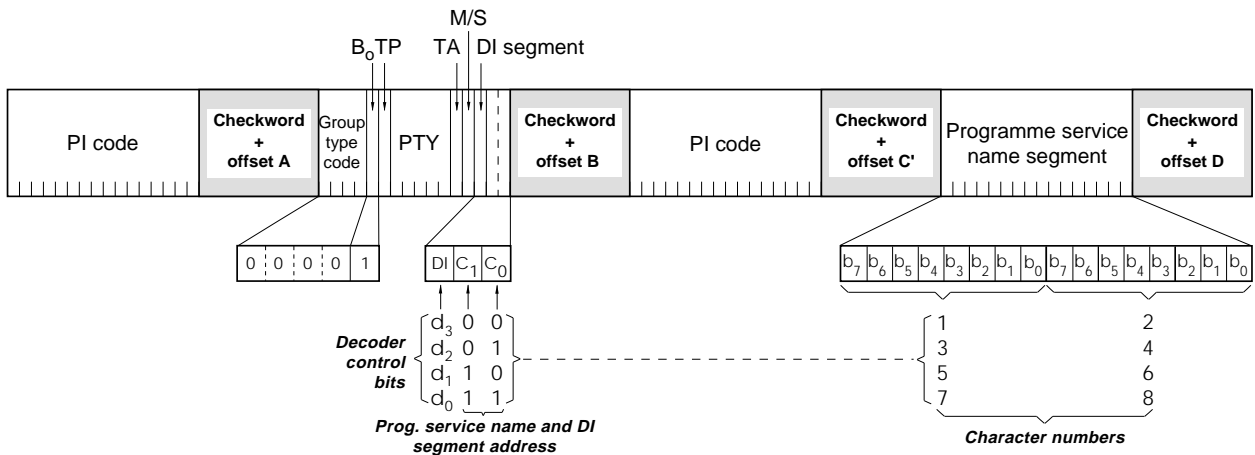


Figure 13 - Basic tuning and switching information - Type 0B group

Type 0A groups are usually transmitted whenever alternative frequencies exist. Type 0B groups without any type 0A groups may be transmitted only when no alternative frequencies exist.

There are two methods (A and B) for transmission of alternative frequencies (see 3.2.1.6.2).

The Programme Service name comprises eight characters, intended for static display on a receiver. It is the primary aid to listeners in programme service identification and selection. The use of PS to transmit text other than a single eight character name is not permitted (see also 3.2.2). Transmission of a PS name usually takes four type 0A groups, but to allow an instant display of the PS when a receiver pre-set is selected, the PS name is often stored for subsequent recall from memory when a programme service is selected. For this reason PS shall generally be invariant.

If a broadcaster wishes to transmit longer Programme Service names, programme-related information or any other text, then RadioText provides this feature.

Notes on Type 0 groups:

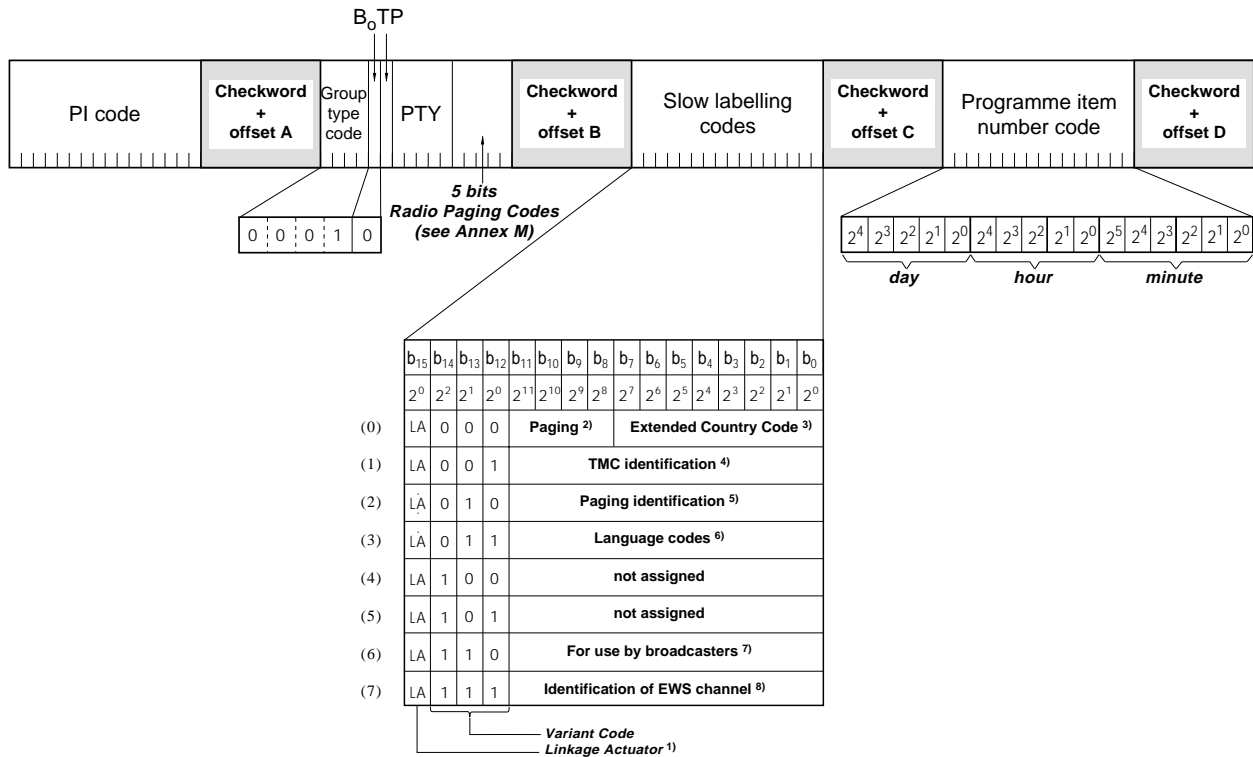
1. *Version B differs from version A only in the contents of block 3, the offset word in block 3, and, of course, the version code  $B_0$*
2. *For details of Programme Identification (PI), Programme Type (PTY) and Traffic Programme (TP) code, see figure 9, 3.2.1 and annexes D and F.*
3. *TA = Traffic announcement code (1 bit) (see 3.2.1.3).*
4. *MS = Music Speech switch code (1 bit) (see 3.2.1.4).*
5. *DI = Decoder-identification control code (4 bits) (see 3.2.1.5). This code is transmitted as 1 bit in each type 0 group. The Programme Service name and DI segment address code ( $C_1$  and  $C_0$ ) serves to locate these bits in the DI codeword. Thus in a group with  $C_1C_0 = "00"$  the DI bit in that group is  $d_3$ . These code bits are transmitted most significant bit ( $d_3$ ) first.*
6. *Alternative frequency codes (2 x 8 bits) (see 3.2.1.6).*
7. *Programme Service name (for display) is transmitted as 8-bit characters as defined in the 8-bit code-tables in annex E. Eight characters (including spaces) are allowed for each network and are transmitted as a 2-character segment in each type 0 group. These segments are located in the displayed name by the code bits  $C_1$  and  $C_0$  in block 2. The addresses of the characters increase from left to right in the display. The most significant bit ( $b_7$ ) of each character is transmitted first.*

3.1.5.2 Type 1 groups: Programme Item Number and slow labelling codes

Figure 14 shows the format of type 1A groups and figure 15 the format of type 1B groups.

When a Programme Item Number is changed, a type 1 group shall be repeated four times with a separation of about 0.5 s. The unused bits in block 2 (type 1B only) are reserved for future applications.

Where Radio Paging is implemented in RDS, a type 1A group will be transmitted in an invariable sequence, regularly once per second, except at each full minute, where it is replaced by one type 4A group.



- 1) The Linkage Actuator is defined in the "Method for Linking RDS Programme Services" (see 3.2.1.8.3).
- 2) Normally set to zero except when used for the Operator Code in Radio Paging with the Enhanced Paging Protocol, defined in annex M (see M.3.2.2 and M.3.2.4).
- 3) Extended country codes are defined separately (see annex D).
- 4) TMC system information is separately specified by the CEN standard ENV 12313-1 (see 3.1.5.12). This identification is not required if ODA is used for coding TMC.
- 5) The Paging Identification is defined in the "Multi Operator / Area paging" section (see annex M).
- 6) Language codes are defined separately (see annex J)
- 7) The coding of this information may be decided unilaterally by the broadcaster to suit the application. RDS consumer receivers shall entirely ignore this information.
- 8) The Emergency Warning Systems (EWS) are defined separately (see 3.2.7).

Figure 14 - Programme Item Number and slow labelling codes - Type 1A group

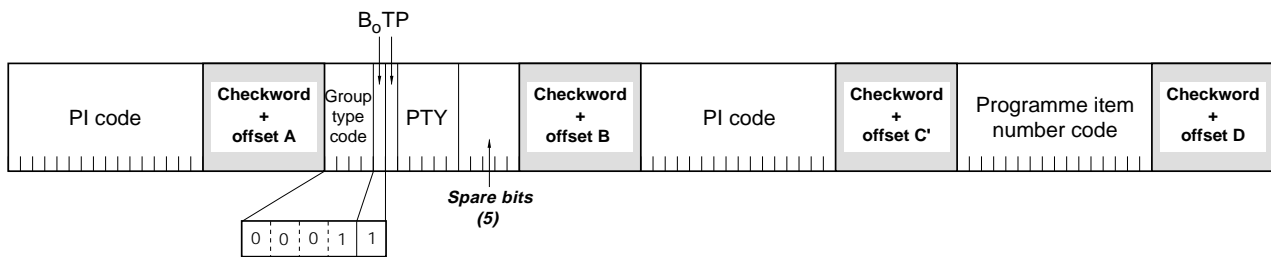


Figure 15 - Programme Item Number - Type 1B group

Notes on Type 1 groups:

1. Version B differs from version A in the contents of blocks 2 and 3, the offset word in block 3, and, of course, the version code  $B_0$ .
2. The Programme Item Number is the scheduled broadcast start time and day of month as published by the broadcaster. The day of month is transmitted as a five-bit binary number in the range 1-31. Hours are transmitted as a five-bit binary number in the range 0-23. The spare codes are not used. Minutes are transmitted as a six-bit binary number in the range 0-59. The spare codes are not used.
3. The most significant five bits in block 4 which convey the day of the month, if set to zero, indicate that no valid Programme Item Number is being transmitted. In this case, if no Radio Paging is implemented, the remaining bits in block 4 are undefined. However, in the case of type 1A groups only, if Enhanced Radio Paging is implemented, the remaining bits carry Service Information (see annex M).
4. Bits  $b_{14}$ ,  $b_{13}$  and  $b_{12}$  of version A form the variant code, which determines the application of data carried in bits  $b_{11}$  to  $b_0$ . A broadcaster may use as many or as few of the variant codes as wished, in any proportion and order.



### 3.1.5.3 Type 2 groups: RadioText

Figure 16 shows the format of type 2A groups and figure 17 the format of type 2B groups.

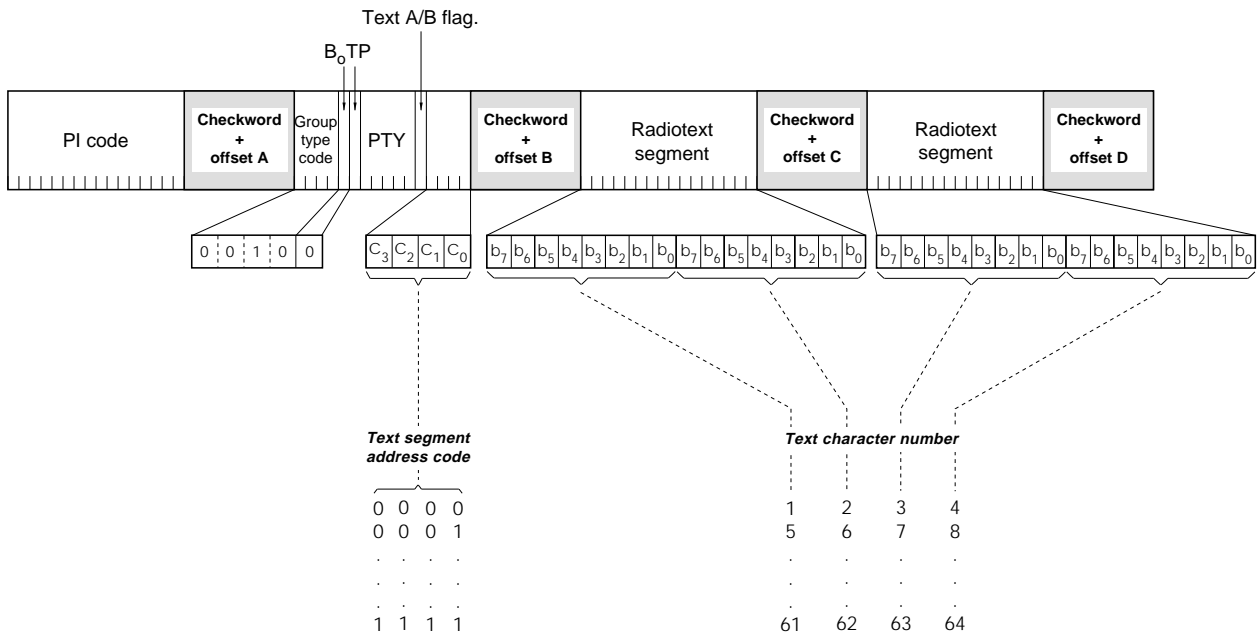


Figure 16 - RadioText - Type 2A group

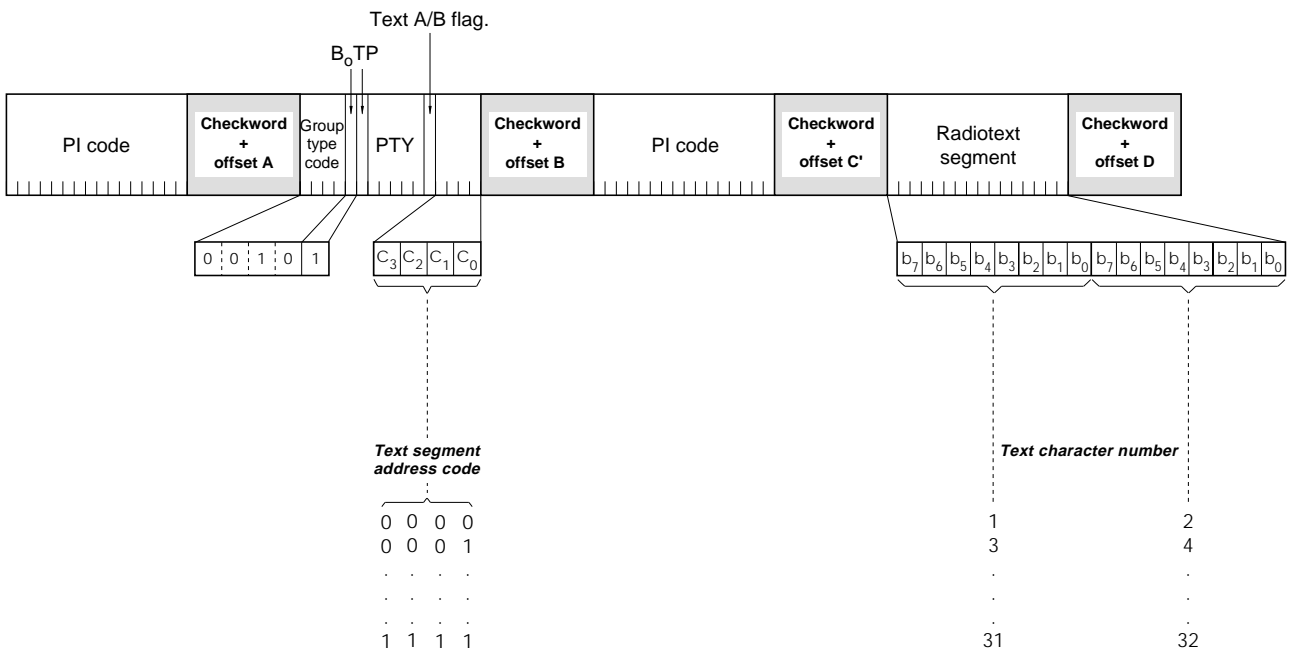


Figure 17 - RadioText - Type 2B group

The 4-bit text segment address defines in the current text the position of the text segments contained in the third (version A only) and fourth blocks. Since each text segment in version 2A groups comprises four characters, messages of up to 64 characters in length can be sent using this version. In version 2B groups, each text segment comprises only two characters and therefore when using this version the maximum message length is 32 characters.

A new text must start with segment address "0000" and there must be no gaps up to the highest used segment address of the current message. The number of text segments is determined by the length of the message, and each message shall be ended by the code 0D (Hex) - carriage return - if the current message requires less than 16 segment addresses.

If a display which has fewer than 64 characters is used to display the RadioText message then memory shall be provided in the receiver/decoder so that elements of the message can be displayed sequentially. This may, for example, be done by displaying elements of text one at a time in sequence, or, alternatively by scrolling the displayed characters of the message from right to left.

Code 0A (Hex) - line feed - may be inserted to indicate a preferred line break.

It should be noted that because of the above considerations there is possible ambiguity between the addresses contained in version A and those contained in version B. For this reason a mixture of type 2A and type 2B groups shall not be used when transmitting any one given message.

- An important feature of type 2 groups is the Text A/B flag contained in the second block. Two cases occur:

If the receiver detects a change in the flag (from binary "0" to binary "1" or vice-versa), then the whole RadioText display shall be cleared and the newly received RadioText message segments shall be written into the display.

- If the receiver detects no change in the flag, then the received text segments or characters shall be written into the existing displayed message and those segments or characters for which no update is received shall be left unchanged.

When this application is used to transmit a 32-character message, at least three type 2A groups or at least six type 2B groups shall be transmitted in every two seconds.

It may be found from experience that all RadioText messages should be transmitted at least twice to improve reception reliability.

Notes on Type 2 groups:

1. RadioText is transmitted as 8-bit characters as defined in the 8-bit code-tables in annex E. The most significant bit ( $b_7$ ) of each character is transmitted first.
2. The addresses of the characters increase from left to right in the display.

**3.1.5.4 Type 3A groups: Application identification for Open data**

Figure 18 shows the format of type 3A groups. These groups are used to identify the Open Data Application in use, on an RDS transmission (see 3.1.4).

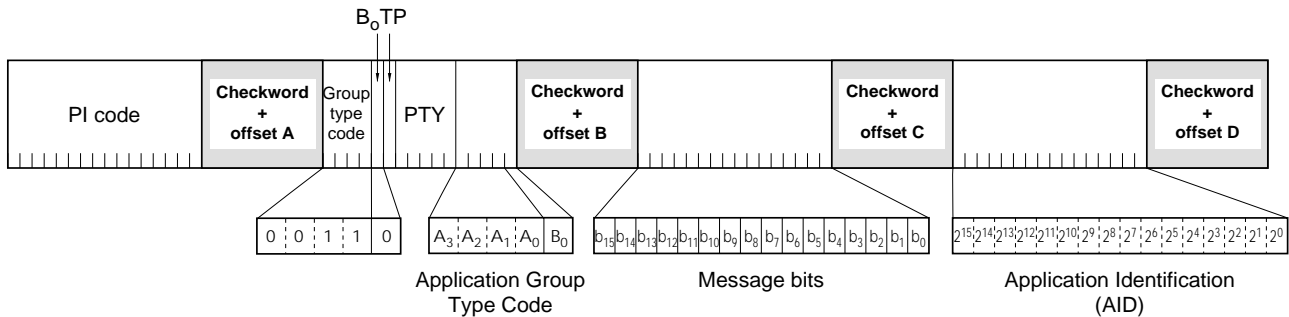


Figure 18 - Application Identification for Open data - Type 3A group

The type 3A group conveys, to a receiver, information about which Open Data Applications are carried on a particular transmission and in which groups they will be found. The type 3A group comprises three elements: the Application Group type code used by that application, 16 message bits for the actual ODA and the Applications Identification (AID) code. Applications which actively utilise both, type A and B groups, are signalled using two type 3A groups.

The Application Group type code indicates the group type used, in the particular transmission, to carry the specified ODA. Table 6 specifies the permitted group types. The bit designation is as per figure 9, 4-bit for group type code and 1-bit for the group type version. Two special conditions may be indicated: 00000 - Not carried in associated group; 11111 - Temporary data fault (Encoder status) which means that incoming data to the encoder cannot be transmitted. The AID determines which software handler a receiver needs to use.

This supplements information carried in the type 1A group and permits groups specified in this standard for EWS, IH, RP and TMC to be re-allocated when these features are not used. This method of allocating and defining Open Data Applications in an RDS transmission allows the addition and subtraction of ODAs, without constraint or the need to await the publication of new standards.

For each group type addressed by the Application Group Type codes of a particular transmission, only one application may be identified as the current user of the channel.

The AID code 0000 (Hex) may be used to indicate that the respective group type is being used for the normal feature specified in this standard. Application Identification codes 0001 to FFFF (Hex) indicate applications as specified in the ODA Directory.

The ODA Directory specification associated with a particular AID code defines the use of type A and type B groups as follows:

- type A groups used alone (mode 1.1)
- type B groups used alone (mode 1.2)
- type A groups and type B groups used as alternatives (mode 2)
- type A groups and type B groups used together (mode 3)

It is important to note that the ODA Directory specification shall not specify the actual type A and type B groups to be used, since these are assigned in each transmission by the type 3A group.

The AID feature indicates that a particular ODA is being carried in a transmission. Each application will have unique requirements for transmission of its respective AID, in terms of repetition rate and timing. These requirements must be detailed in the respective ODA specification. The specification must also detail the AID signalling requirements for such times when an application assumes or loses the use of a group type channel. Some applications may not allow reconfiguration in this way.

3.1.5.5 Type 3B groups: Open Data Application

Figure 19 shows the format of type 3B groups. These groups are usable for Open Data (see 3.1.4).

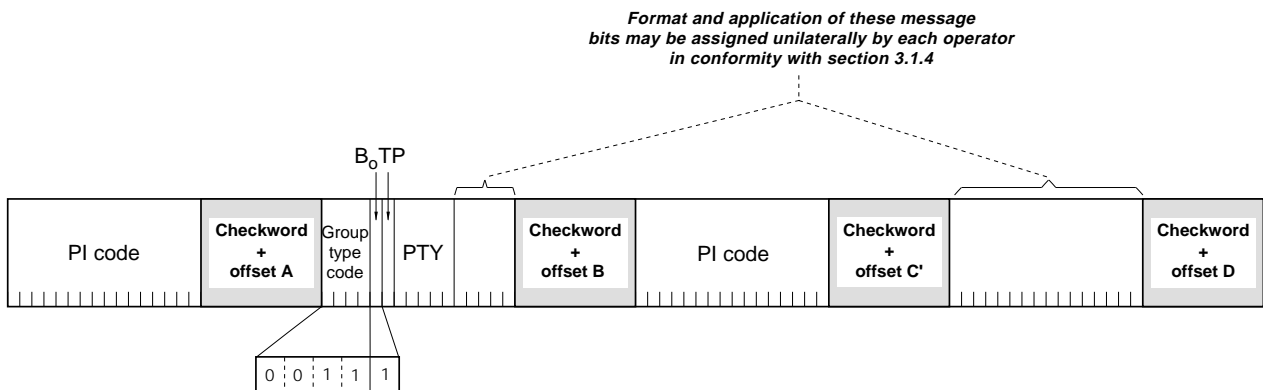


Figure 19 - Open data - Type 3B group

3.1.5.6 Type 4A groups : Clock-time and date

The transmitted clock-time and date shall be accurately set to UTC plus local offset time. Otherwise the transmitted CT codes shall all be set to zero.

Figure 20 shows the format of type 4A groups.

When this application is used, one type 4A group will be transmitted every minute.

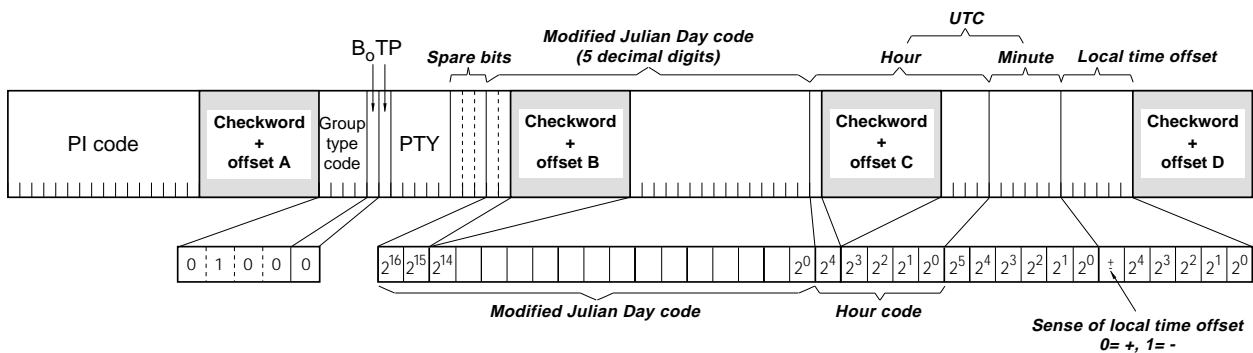


Figure 20 - Clock-time and date transmission - Type 4A group

Notes on Type 4A groups:

1. The local time is composed of Coordinated Universal Time (UTC) plus local time offset.
2. The local time offset is **expressed in multiples of half hours** within the range -12 h to +12 h and is coded as a six-bit binary number. "0" = positive offset (East of zero degrees longitude), and "1" = negative offset (West of zero degrees longitude).
3. The information relates to the epoch immediately following the start of the next group.
4. The Clock time group is inserted so that the minute edge will occur within  $\pm 0.1$  s of the end of the Clock time group.

5. Minutes are coded as a six-bit binary number in the range 0-59. The spare codes are not used.
6. Hours are coded as five-bit binary number in the range 0-23. The spare codes are not used.
7. The date is expressed in terms of Modified Julian Day and coded as a 17-bit binary number in the range 0-99999. Simple conversion formulas to month and day, or to week number and day of week are given in annex G. Note that the Modified Julian Day date changes at UTC midnight, **not** at local midnight.
8. Accurate CT based on UTC plus local time offset must be implemented on the transmission where TMC and/or Radio paging is implemented.

**3.1.5.7 Type 4B groups: Open data application**

Figure 21 shows the format of type 4B groups. These groups are usable for Open data (see 3.1.4).

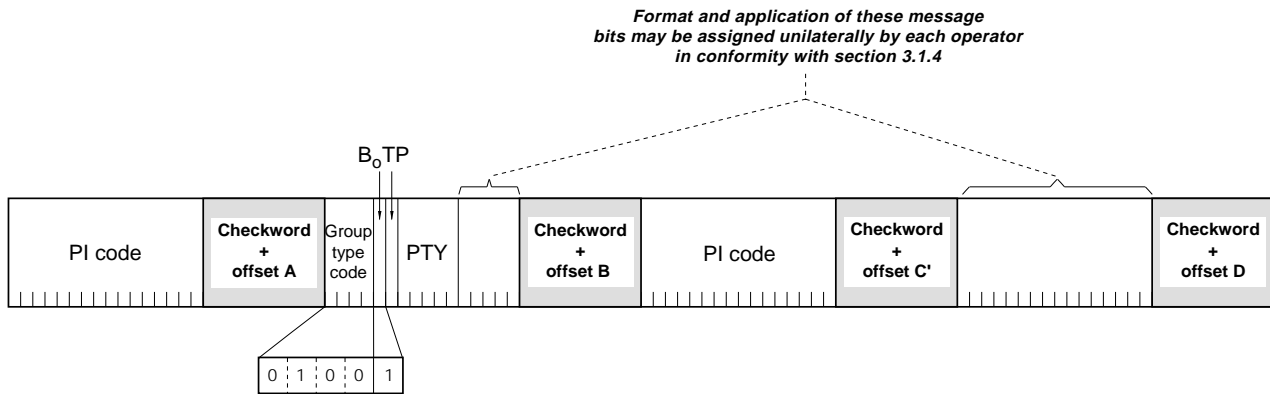


Figure 21 - Open data - Type 4B group

**3.1.5.8 Type 5 groups: Transparent data channels or ODA**

Figure 22 shows the format of type 5A groups and figure 23 the format of type 5B groups, where used for TDC; if used for ODA see 3.1.4.2.

The 5-bit address-code in the second block identifies the "channel-number" (out of 32) to which the data contained in blocks 3 (version A only) and 4 are addressed. Unlike the fixed-format RadioText of type 2 groups, messages of any length and format can be sent using these channels. Display control characters (such as line-feed and carriage-return) will, of course, be sent along with the data.

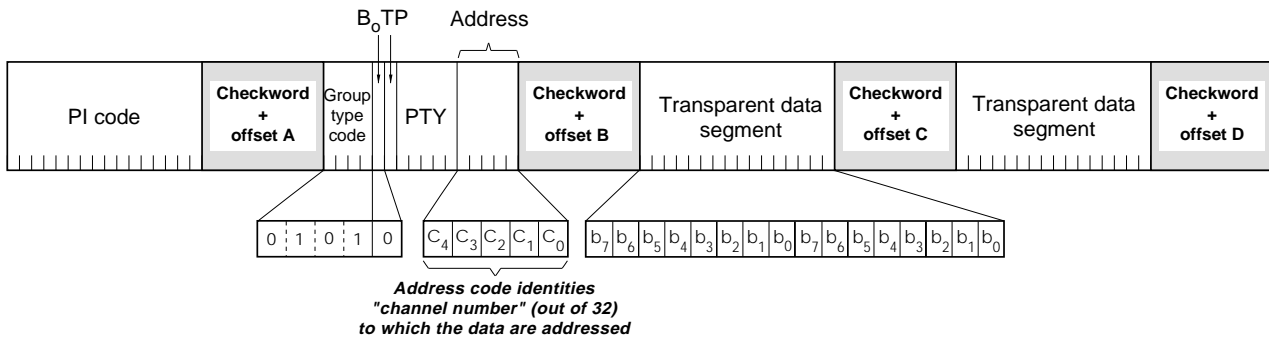


Figure 22 - Transparent data channels - Type 5A group

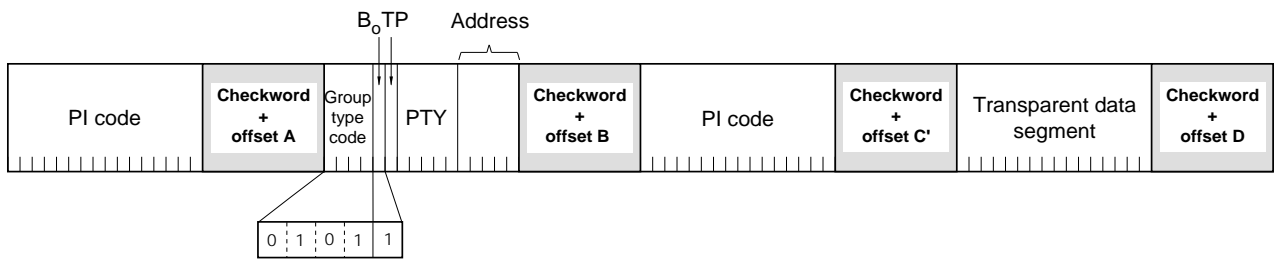


Figure 23 - Transparent data channels - Type 5B group

These channels may be used to send alphanumeric characters, or other text (including mosaic graphics), or for transmission of computer programmes and similar data not for display. Details of implementation of these last options are to be specified later.

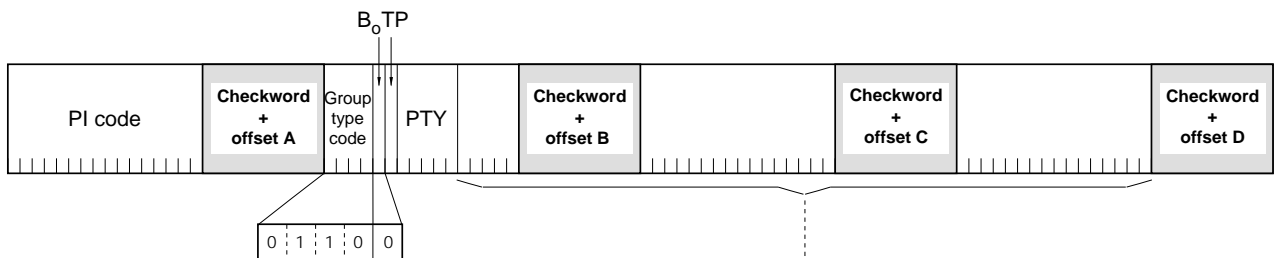
The repetition rate of these group types may be chosen to suit the application and the available channel capacity at the time.

### 3.1.5.9 Type 6 groups: In-house applications or ODA

Figure 24 shows the format of type 6A groups and the format of type 6B groups, where used for IH; if used for ODA see 3.1.4.2. The contents of the unreserved bits in these groups may be defined unilaterally by the operator.

Consumer receivers shall ignore the in-house information coded in these groups. The repetition rate of these group types may be chosen to suit the application and the available channel capacity at the time.

Type 6A group:



Format and application of these message bits may be assigned unilaterally by each operator

Type 6B group:

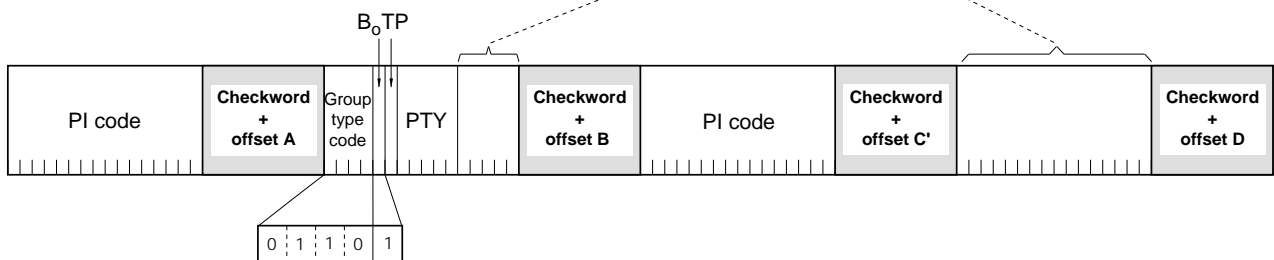


Figure 24 - In-house applications - Type 6A and 6B group

**3.1.5.10 Type 7A groups: Radio Paging or ODA**

Figure 25 shows the format of type 7A groups, where used for Radio Paging; if used for ODA see 3.1.4.2. The specification of RP which also makes use of type 1A, 4A and 13A groups, is given in annex M.

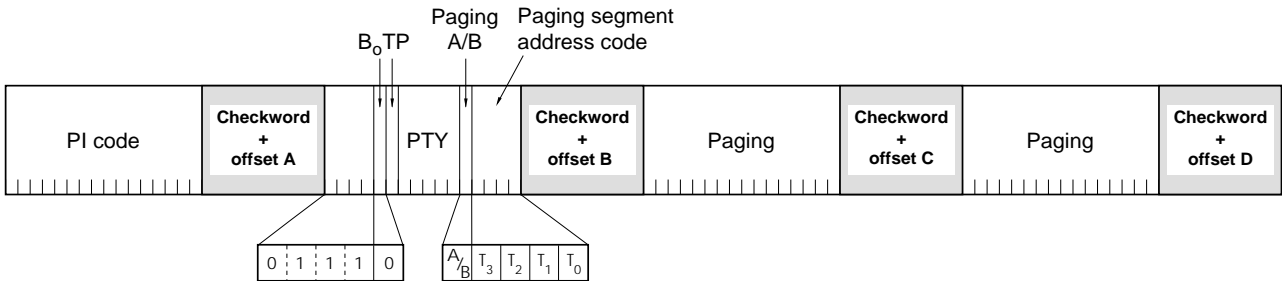


Figure 25 - Radio Paging - Type 7A group

**3.1.5.11 Type 7B groups: Open data application**

Figure 26 shows the format of type 7B groups. These groups are usable for Open data (see 3.1.4).

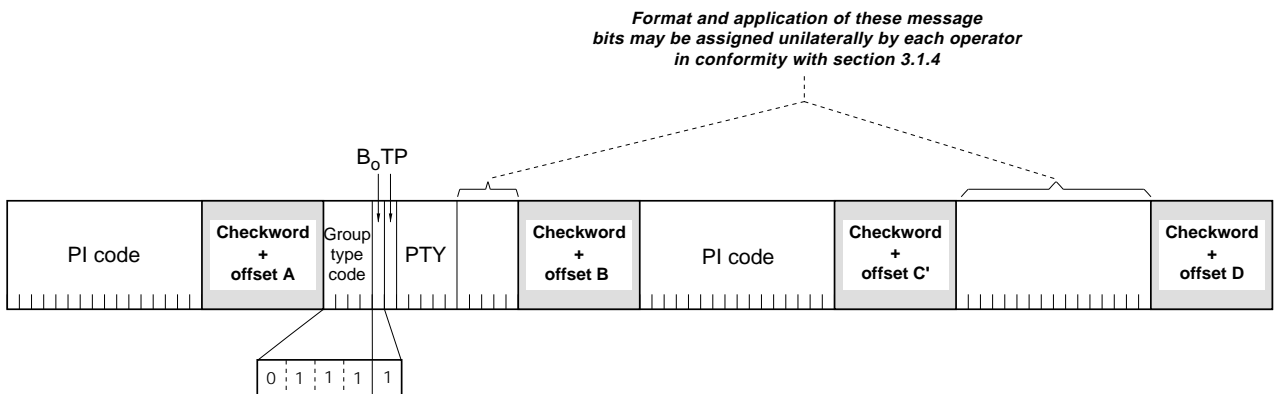


Figure 26 - Type 7B group

3.1.5.12 Type 8 groups: Traffic Message Channel or ODA

Figure 27 shows the format of type 8A groups, where used for Traffic Message Channel (TMC); if used for ODA see 3.1.4.2. This group carries the TMC messages. The specification for TMC, using the ALERT protocol also makes use of type 1A and/or type 3A groups together with 4A groups and is separately specified by the CEN standard ENV 12313-1.

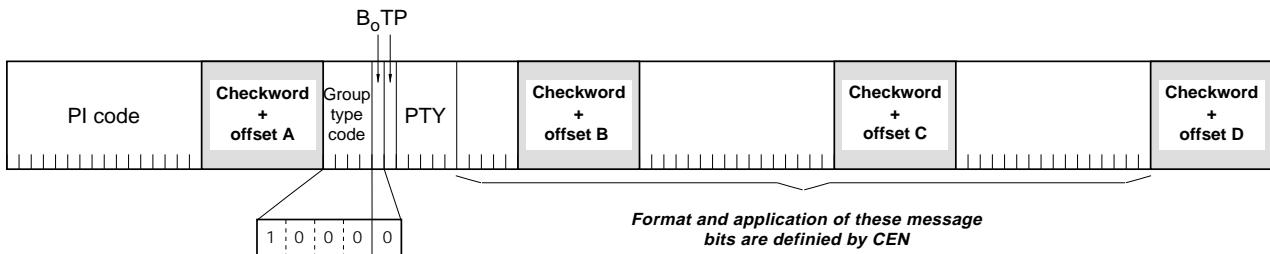


Figure 27 - Traffic Message Channel - Type 8A group

Figure 28 shows the format of type 8B groups. These groups are usable for Open data (see 3.1.4).

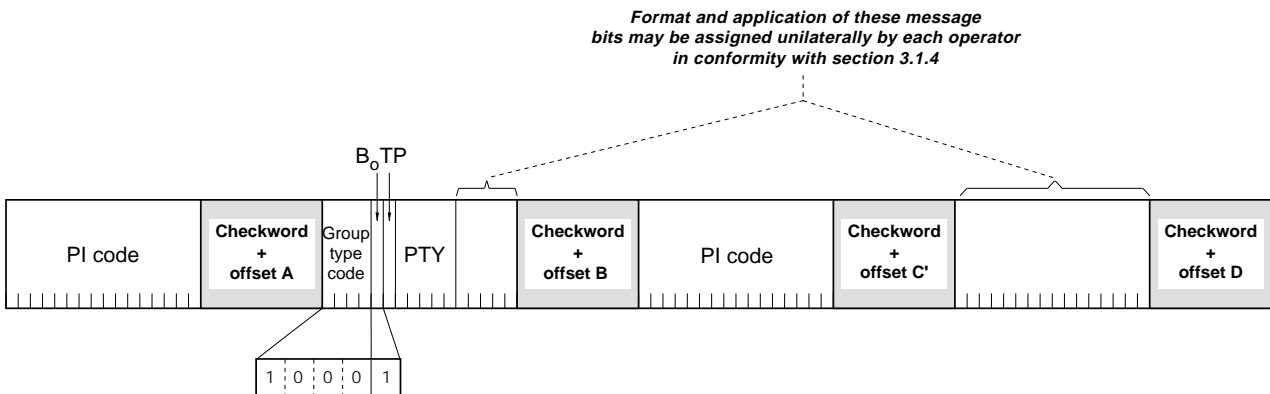


Figure 28 - Open data - Type 8B group



### 3.1.5.13 Type 9 groups: Emergency warning systems or ODA

These groups are transmitted very infrequently, unless an emergency occurs or test transmissions are required. Figure 29 shows the format of type 9A groups where used for EWS; if used for ODA, see 3.1.4.2.

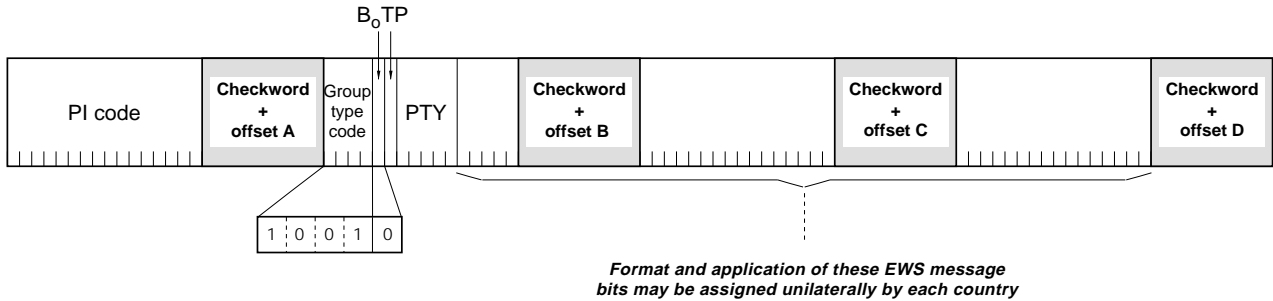


Figure 29 - Allocation of EWS message bits - Type 9A group

Format and application of the bits allocated for EWS messages may be assigned unilaterally by each country. However the ECC feature must be transmitted in type 1A groups when EWS is implemented.

Figure 30 shows the format of type 9B groups. These groups are usable for Open data (see 3.1.4).

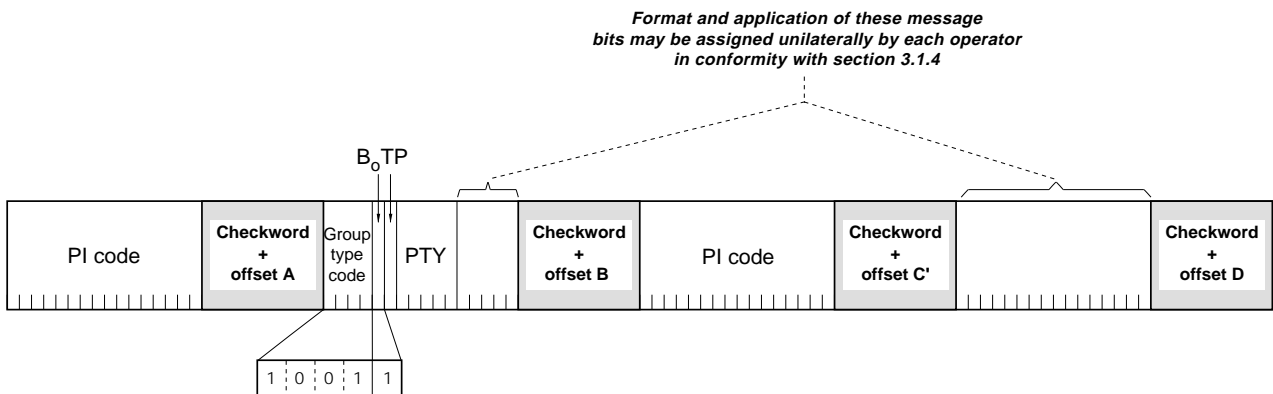


Figure 30 - Open data - Type 9B group

3.1.5.14 Type 10 groups: Programme Type Name (Group type 10A) and Open data (Group type 10B)

Figure 31 shows the format of type 10A groups used for PTYN.

The type 10A group allows further description of the current Programme Type, for example, when using the PTY code 4: SPORT, a PTYN of “Football” may be indicated to give more detail about that programme. PTYN shall only be used to enhance Programme Type information and it shall not be used for sequential information.

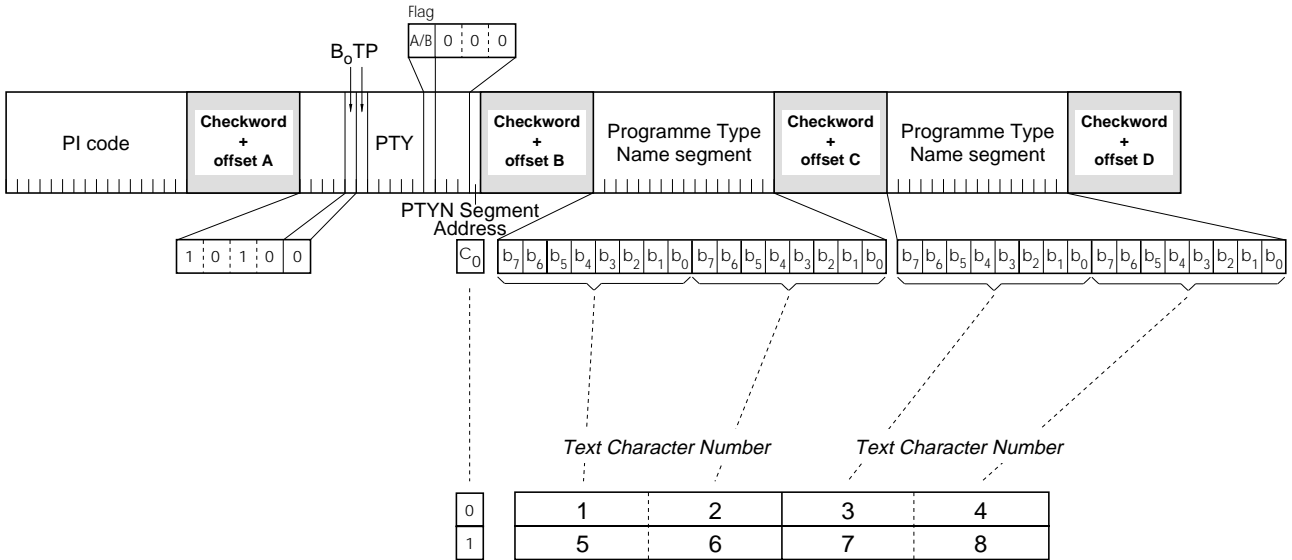


Figure 31- Programme Type Name PTYN - Type 10A group

Notes on Type 10A groups:

1. The A/B flag is toggled when a change is made in the PTYN being broadcast.
2. Programme Type Name (PTYN) (for display) is transmitted as 8-bit characters as defined in the 8-bit code tables in annex E. Eight characters (including spaces) are allowed for each PTYN and are transmitted as four character segments in each type 10A group. These segments are located in the displayed PTYN name by the code bit C<sub>0</sub> in block 2. The addresses of the characters increase from left to right in the display. The most significant bit (b<sub>7</sub>) of each character is transmitted first.

*Format and application of these message bits may be assigned unilaterally by each operator in conformity with section 3.1.4*

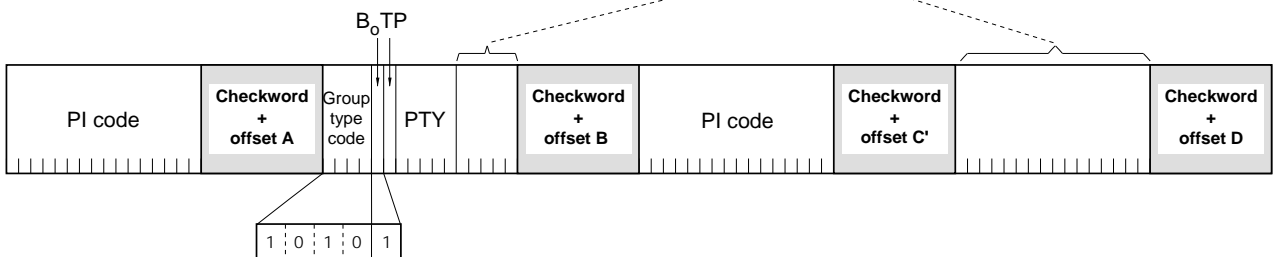


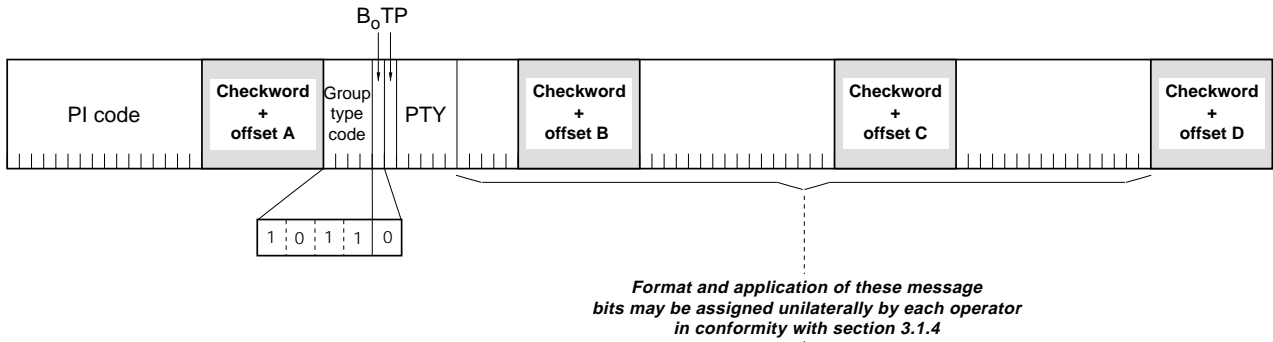
Figure 32 shows the format of type 10B groups used for ODA, see 3.1.4.2.

Figure 32 - Open data - Type 10B group

### 3.1.5.15 Type 11 groups: Open Data Application

Figure 33 shows the format of type 11A and 11B groups. These groups are usable for Open data (see 3.1.4).

Type 11A group:



Type 11B group:

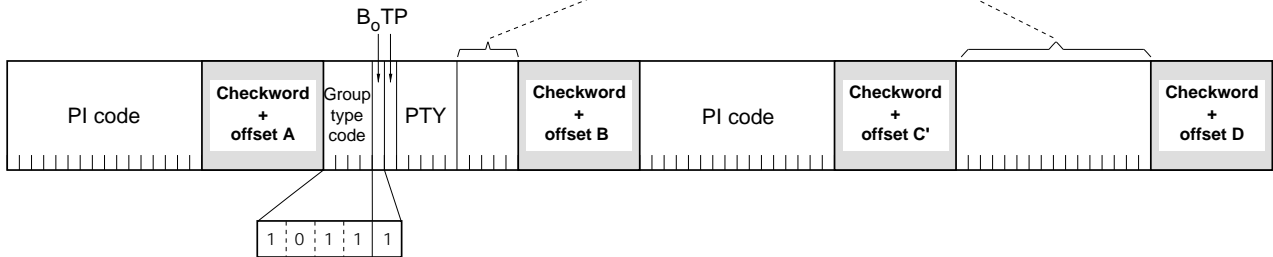
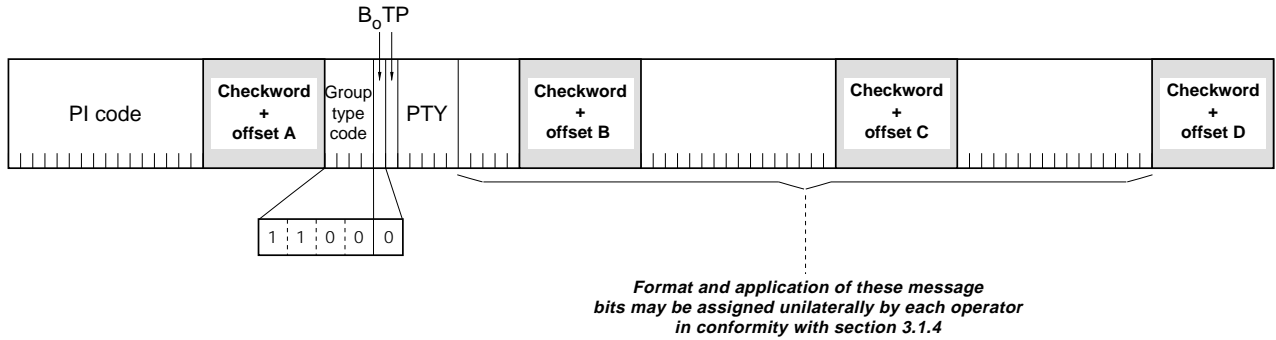


Figure 33 - Open data - Type 11A and 11B groups

**3.1.5.16 Type 12 groups: Open Data Application**

Figure 34 shows the format of type 12A and 12B groups. These groups are usable for Open data (see 3.1.4).

*Type 12A group:*



*Type 12B group:*

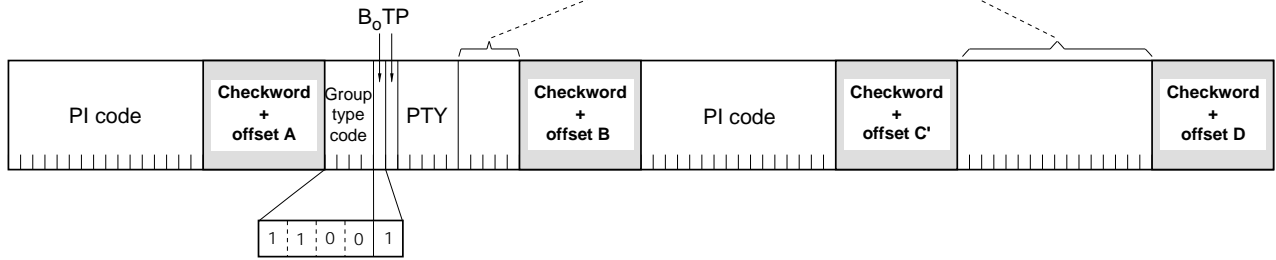


Figure 34 - Open data - Type 12A and 12B groups

**3.1.5.17 Type 13A groups: Enhanced Radio Paging or ODA**

The type 13A group is used to transmit the information relative to the network and the paging traffic. Its primary purpose is to provide an efficient tool for increasing the battery life time of the pager.

Figure 35 shows the format of the type 13A group. These groups are transmitted once or twice at the beginning of every interval (after the type 4A group at the beginning of each minute or after the first type 1A group at the beginning of each interval).

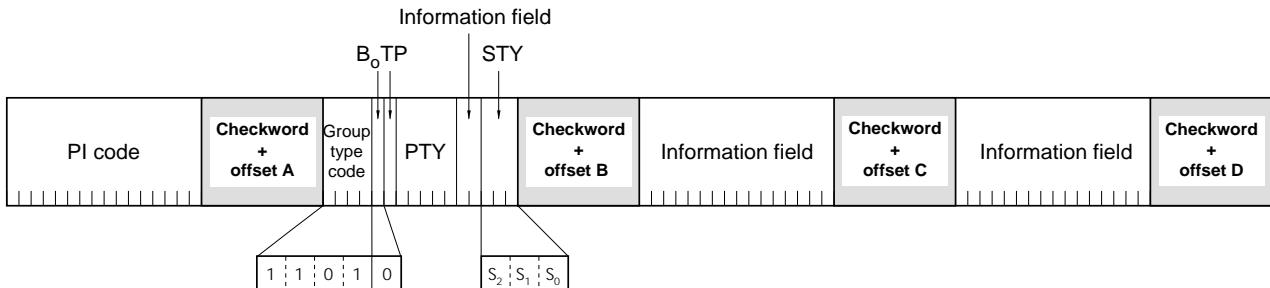


Figure 35 - Enhanced Paging information - Type 13A group

The STY code (3 bits) denotes the different type 13A group sub types; there are 8 different sub types:

**Table 7 - STY codes**

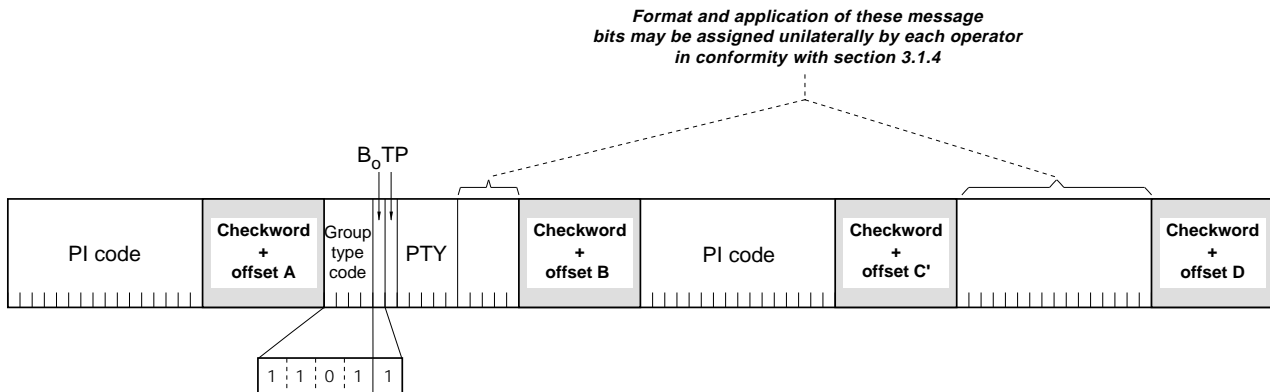
STY			Last bits of third block and fourth block of type 13A group
S <sub>2</sub>	S <sub>1</sub>	S <sub>0</sub>	
0	0	0	Address notification bits 24...0, when only 25 bits (one type 13A group) are used
0	0	1	Address notification bits 49...25, when 50 bits (two type13A groups) are used
0	1	0	Address notification bits 24...0, when 50 bits (two type13A groups) are used
0	1	1	Reserved for Value Added Services system information
1	0	0	Reserved for future use
...	...	...	...
1	1	1	Reserved for future use

The specification of the relevant protocol is given in annex M, section M.3.

The type 13A group may be used for ODA when it is not used for Radio Paging, and its group structure is then as shown in 3.1.4.2.

**3.1.5.18 Type 13B groups: Open Data Application**

Figure 36 shows the format of type 13B groups. These groups are usable for Open data (see 3.1.4).



*Figure 36 - Open data - Type 13B group*

3.1.5.19 Type 14 groups: Enhanced Other Networks information

Figures 37 and 38 show the format of type 14A and 14B groups. These groups are transmitted if Enhanced Other Networks information (EON) is implemented. The specification of the relevant protocol is given in 3.2.1.8.

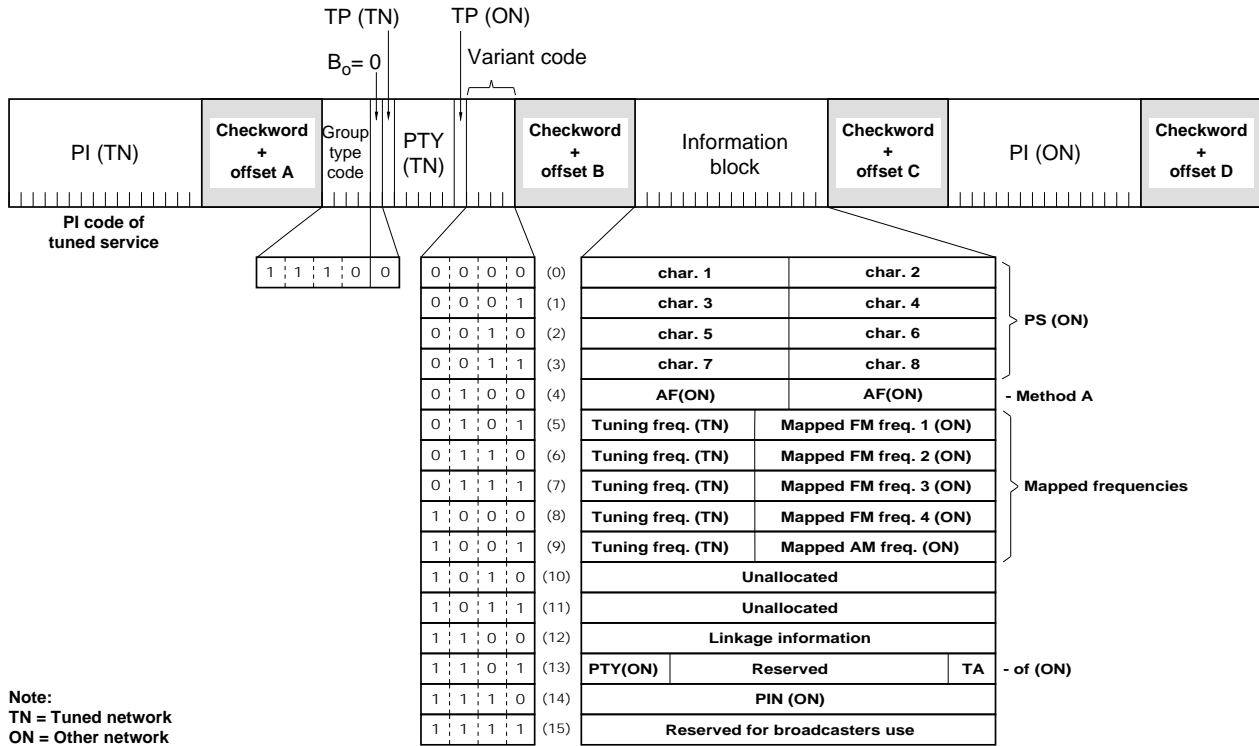


Figure 37 - Enhanced Other Networks information - Type 14A groups

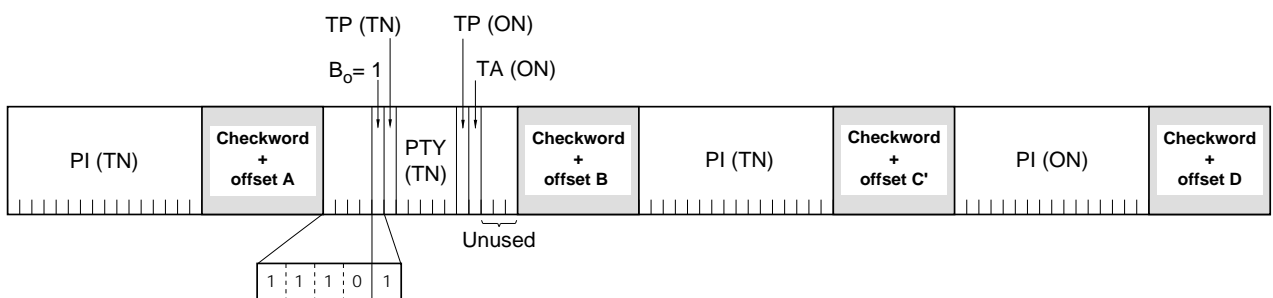


Figure 38 - Enhanced Other Networks information - Type 14B groups

**3.1.5.20 Type 15A groups**

For reasons of compatibility with the US NRSC RBDS standard [15], this group type is not specified in this standard and is currently unavailable.

**3.1.5.21 Type 15B groups: Fast basic tuning and switching information**

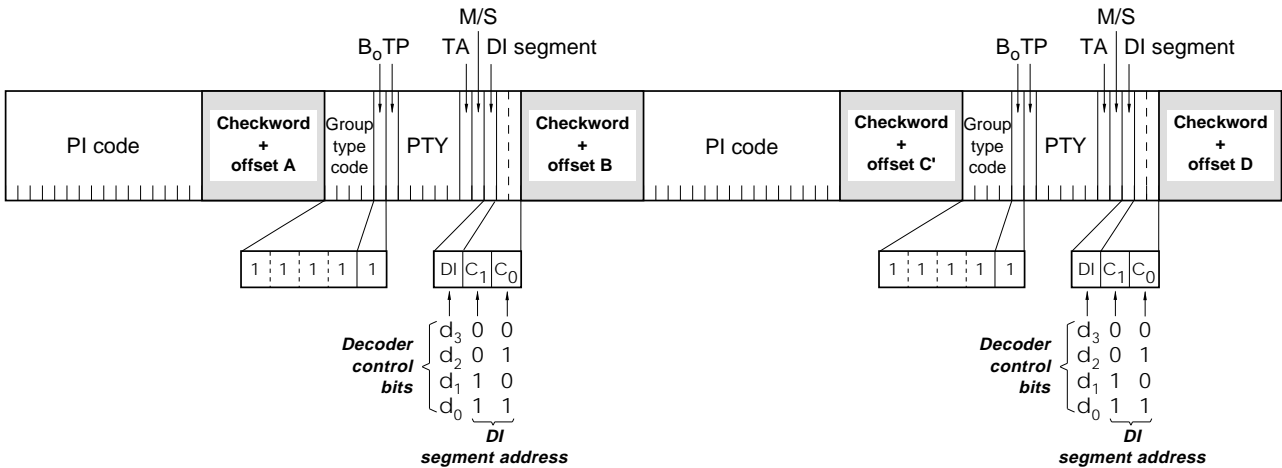


Figure 39 - Fast basic tuning and switching information - Type 15B group

When groups of this type are transmitted, the repetition rate may be chosen to suit the application and the available channel capacity at the time.

Notes on Type 15B groups

1. For details Programme Identification (PI), Programme Type (PTY) and Traffic Programme (TP) code, see 3.2.1 and annexes D and F.
2. TA = Traffic announcement code (1 bit) (see 3.2.1.3).
3. MS = Music Speech switch code (1 bit) (see 3.2.1.4).
4. DI = Decoder-identification control code (4 bits) (see 3.2.1.5). This code is transmitted as 1 bit in each type 15B group. The DI segment address code (C<sub>1</sub> and C<sub>0</sub>) serves to locate these bits in the DI codeword. Thus in a group with C<sub>1</sub>C<sub>0</sub> = "00" the DI bit in that group is d<sub>3</sub>. These code bits are transmitted most significant bit (d<sub>3</sub>) first.

## 3.2 Coding of information

A glossary of terms used in RDS applications is given in 4, which also explains the expected responses of a consumer receiver to the various codes.

### 3.2.1 Coding of information for control

#### 3.2.1.1 Programme Identification (PI) codes and Extended Country Codes (ECC)

The coding model for Programme Identification information and Extended Country Codes is given in annex D.

#### 3.2.1.2 Programme Type (PTY) codes

The applications of the 5-bit Programme type codes are specified in annex F. PTY codes 30 and 31 are control functions for a consumer receiver (see annex F).

#### 3.2.1.3 Traffic Programme (TP) and Traffic Announcement (TA) codes

The coding to be used is as follows:

**Table 8**

Traffic Programme code (TP)	Traffic Announcement code (TA)	Applications
0	0	This programme does not carry traffic announcements nor does it refer, via EON, to a programme that does.
0	1	This programme carries EON information about another programme which gives traffic information.
1	0	This programme carries traffic announcements but none are being broadcast at present and may also carry EON information about other traffic announcements.
1	1	A traffic announcement is being broadcast on this programme at present.

#### 3.2.1.4 Music Speech (MS) switch code

This is a 1-bit code. A "0" indicates that speech, at present, is being broadcast and a "1" indicates that music, at present, is being broadcast. When the broadcaster is not using this facility the bit value will be set at "1".



**3.2.1.5 Decoder Identification (DI) and Dynamic PTY Indicator (PTYI) codes**

These 4 bits are used to indicate different operating modes to switch individual decoders on or off and to indicate if PTY codes in the transmission are dynamically switched.

**Table 9 - Bit d<sub>0</sub> to d<sub>3</sub> meanings**

Settings	Meaning
Bit d <sub>0</sub> , set to 0:	Mono
Bit d <sub>0</sub> , set to 1:	Stereo
Bit d <sub>1</sub> , set to 0:	Not Artificial Head
Bit d <sub>1</sub> , set to 1:	Artificial Head
Bit d <sub>2</sub> , set to 0:	Not compressed
Bit d <sub>2</sub> , set to 1:	Compressed <sup>1)</sup>
Bit d <sub>3</sub> , set to 0:	Static PTY
Bit d <sub>3</sub> , set to 1:	Indicates that the PTY code on the tuned service, or referenced in EON variant 13, is dynamically switched

<sup>1)</sup> See CCIR Study Programme 46A/10 (Dubrovnik, 1986)

**3.2.1.6 Coding of Alternative Frequencies (AFs)**

*3.2.1.6.1 AF code tables*

In the following code tables, each 8-bit binary code represents a carrier frequency, or it represents a special meaning as shown in Tables 10, 11 and 12.

**Table 10 - VHF code table**

Number	Binary code	Carrier frequency
0	0000 0000	Not to be used
1	0000 0001	87.6 MHz
2	0000 0010	87.7 MHz
:	:	:
:	:	:
204	1100 1100	107.9 MHz

**Table 11 - Special meanings code table**

Number	Binary code	Special meaning
0	0000 0000	Not to be used
205	1100 1101	Filler code
206	1100 1110	Not assigned
:	:	:
223	1101 1111	Not assigned
224	1110 0000	No AF exists
225	1110 0001	1 AF follows
:	:	:
249	1111 1001	25 AFs follow
250	1111 1010	An LF/MF frequency follows
251	1111 1011	Not assigned
:	:	:
255	1111 1111	Not assigned

**Table 12 - LF/MF code table - for ITU regions 1 and 3 (9 kHz spacing)**

Number	Binary code	Carrier frequency
LF 1	0000 0001	153 kHz
:	:	:
:	:	:
15	0000 1111	279 kHz
MF 16	0001 0000	531 kHz
:	:	:
:	:	:
:	:	:
:	:	:
135	1000 0111	1602 kHz

### 3.2.1.6.2 Use of Alternative Frequencies in type 0A groups

To facilitate the automatic tuning process in a receiver, a number of AFs shall be transmitted. Ideally the AF list shall only comprise frequencies of neighbouring transmitters or repeaters. Two methods of transmitting AFs are possible. AF method A is used for lists up to 25 in number and AF method B is used for larger lists. AF method B is also used where it is required to indicate frequencies of generically related services.

3.2.1.6.3 AF method A

Two AF codes are carried in block 3 of each type 0A group. The first byte in the transmitted list (codes 224 - 249) indicates the number of frequencies in that list. This list will also include the frequency of the transmitter originating the list, if it has repeaters.

Examples of AF method A coding:

	<b>Example A</b>		<b>Example B</b>		<b>Example C</b>	
1st 0A:	#5	AF1	#4	AF1	#4	AF1
2nd 0A:	AF2	AF3	AF2	AF3	AF2	AF3
3rd 0A:	AF4	AF5	AF4	Filler	LF/MF follows	AF4

Example A shows: a list of 5 VHF frequencies, where #5 means number of frequencies following is 5 and is represented by code 229.

Example B shows: a list of 4 VHF frequencies, where Filler code is 205.

Example C shows: a list of 3 VHF frequencies and 1 LF/MF frequency, where LF/MF follows code is 250.

3.2.1.6.4 AF method B

Method B AF coding is used where the number of AFs used by a transmitter and its associated repeater stations exceed 25, or where it is required to indicate frequencies which belong to different regions which at times carry different programmes.

Each transmitter and associated repeater stations broadcast the same set of different AF lists in sequence. The number of AF lists within a network is in general identical to the number of transmitters and repeater stations in the network so as to provide a unique list for each transmitting station. In this protocol the alternative frequencies for the VHF/FM transmitters are individually addressed by transmitting the tuning frequency paired with one alternative frequency within one block <sup>2)</sup>.

Each list starts with a code giving the total number of frequencies within this list, followed by the tuning frequency for which the list is valid. All remaining pairs <sup>2)</sup> (up to 12) give the tuning frequency together with a valid AF.

- If the number of AFs of a station is larger than 12, the list shall be split into two or more lists. These lists are transmitted directly one after the other, and the receiver shall combine the lists again.
- If a transmitter frequency is used more than once within a network the respective AF lists are transmitted separately. In order to indicate that these lists with the same tuning frequency belong to different stations, the lists must be separated by AF lists of other stations. The receiver may combine them or evaluate them separately.

---

<sup>2)</sup> If the frequency referenced is for an LF/MF transmission, it occupies 2 AF codes, the first being code 250. Hence it cannot be referenced to its associated tuning frequency.

For the transmission of the frequency pairs within one block the following convention is used:

- They are generally transmitted in ascending order, e.g.

89.3	99.5	or	99.5	101.8	$F_1 < F_2$
------	------	----	------	-------	-------------

- In special cases they are transmitted in descending order, if they belong to different regions, or carry from time to time different programmes, e.g.

99.5	90.6	or	100.7	99.5	$F_1 > F_2$
------	------	----	-------	------	-------------

In both the above examples 99.5 MHz is the tuning frequency.

Examples of a AF method B coding:

F <sub>1</sub>	F <sub>2</sub>	Commentary
# 11	89.3	Total number (11) of frequencies for tuning frequency (89.3)
89.3	99.5	$F_2 > F_1$ hence 99.5 is an AF of tuned frequency 89.3, and is the same programme
89.3	101.7	$F_2 > F_1$ hence 101.7 is an AF of tuned frequency 89.3, and is the same programme
88.8	89.3	$F_2 > F_1$ hence 88.8 is an AF of tuned frequency 89.3, and is the same programme
102.6	89.3	$F_2 < F_1$ hence 102.6 is an AF of a regional variant of tuned frequency 89.3
89.3	89.0	$F_2 < F_1$ hence 89.0 is an AF of a regional variant of tuned frequency 89.3
# 9	99.5	Total number (9) of frequencies for tuning frequency (99.5)
89.3	99.5	$F_2 > F_1$ hence 89.3 is an AF of tuned frequency 99.5, and is the same programme
99.5	100.9	$F_2 > F_1$ hence 100.9 is an AF of tuned frequency 99.5, and is the same programme
104.8	99.5	$F_2 < F_1$ hence 104.8 is an AF of a regional variant of tuned frequency 99.5
99.5	89.1	$F_2 < F_1$ hence 89.1 is an AF of a regional variant of tuned frequency 99.5

Broadcasters using splitting of a network during certain hours of the day should use AF method B, and not AF method A. The lists should be static, i.e. the AFs included in the list, carrying a different programme during certain hours of the day, shall be signaled by transmitting in the descending order. Their PI shall differ in the second element (bits 8 to 11) of the code and may also be static. To identify different regional networks or programmes the PI area codes R1 to R12 shall be used (see annex D, D.4).

This convention will permit a receiver to use a regional on/off mode which, when a receiver is in the mode "regional off", will lead to the acceptance of the PI with the differing second element, and thus permit switching to a different regional network. This option can be deactivated by choosing the mode "regional on". Then only AFs having the same second element of the PI (i.e. the same programme) will be used. This should also be the case for receivers without regional on/off mode. The switching of the second element of the PI to I, N, or S, respectively, informs a receiver that now even AFs transmitted in descending order carry the same programme and the receiver should use this information to allow switching to these AFs.

#### 3.2.1.6.5 *Convention for identification of the AF methods used*

The AF method used is not signalled explicitly, but can easily be deduced by receivers from the frequent repetition of the tuning frequency in the transmitted AF pairs in the case of AF method B.

#### 3.2.1.6.6 *Use of AF Codes in type 14A groups*

AF codes in type 14A groups are used to refer to frequencies of other networks. There are two AF methods for transmitting this information.

Variant 4 utilises AF method A coding to transmit up to 25 frequencies; the coding method is as described above for type 0A groups. The PI code of the other network to which the AF list applies is given in block 4 of the group.

Variant 5 is used for the transmission of “Mapped frequency pairs”. This is used to specifically reference a frequency in the tuned network to a corresponding frequency in another network. This is particularly used by a broadcaster that transmits several different services from the same transmitter tower with the same coverage areas.

The first AF code in block 3 refers to the frequency of the tuned network, the second code is the corresponding frequency of the other network identified by the PI code in block 4.

Where it is necessary to map one tuning frequency to more than one VHF/FM frequency for the cross-referenced programme service (due to multiple use of the tuning frequency or because the cross-referenced programme is receivable at more than one frequency within the service area associated with the tuning frequency), then variants 6, 7 and 8 are used to indicate second, third and fourth mapped frequencies, respectively.

LF/MF mapped frequencies are implicitly signalled by using variant 9. AF Code 250 is not used with the mapped AF method.

### 3.2.1.7 Programme Item Number (PIN) codes

The transmitted Programme Item Number code will be the scheduled broadcast start time and day of month as published by the broadcaster. For the coding of this information see 3.1.5.2.

If a type 1 group is transmitted without a valid PIN, the day of the month shall be set to zero. In this case a receiver which evaluates PIN shall ignore the other information in block 4.

### 3.2.1.8 Coding of Enhanced Other Networks information (EON)

The enhanced information about other networks consists of a collection of optional RDS features relating to other programme services, cross-referenced by means of their PI codes (see 3.2.1.1). Features which may be transmitted using EON for other programme services are: AF (see 3.2.1.6.5), PIN (see 3.2.1.7), PS (see 3.2.2), PTY (see 3.2.1.2), TA (see 3.2.1.3), TP (see 3.2.1.3) and Linkage (see 3.2.1.8.3).

The format of the type 14 groups is shown in figures 37 and 38. It has two versions: A and B. The A version is the normal form and shall be used for the background transmission of Enhanced Other Networks information. The maximum cycle time for the transmission of all data relating to all cross-referenced programme services shall be less than two minutes. The A version has sixteen variants which may be used in any mixture and order. Attention is drawn to the fact that two distinct options, namely AF method A and the Mapped Frequency Method, exist for the transmission of frequencies of cross-referenced programme services (see 3.2.1.8.1). A broadcaster should choose the most appropriate AF method for each cross-referenced programme service.

The B version of a type 14 group is used to indicate a change in the status of the TA flag of a cross-referenced programme service (see 3.2.1.8.2 for more details).

#### 3.2.1.8.1 Coding of frequencies for cross-referenced programme services

Two AF methods exist for the transmission of AF's in the EON feature. Coding is described in 3.2.1.6.5.

A broadcaster may utilise the most appropriate AF method for each cross-referenced programme service, but within the reference to any single service these two AF methods must not be mixed.

#### 3.2.1.8.2 Use of the TP and TA features ( Type 0, 15B and 14 groups)

For the tuned programme service, the code TP=0 in all groups and TA=1 in type 0 and 15B groups indicates that this programme broadcasts EON information which cross-references at least to one programme service which carries traffic information. RDS receivers which implement the EON feature may use this code to signify that the listener can listen to the tuned programme service and nevertheless receive traffic messages from another programme service. RDS receivers which do not implement the EON feature must ignore this code. Programme services which use the code TP=0, TA=1 must broadcast type 14 B groups (at the appropriate times) relating to at least one programme service which carries traffic information, and has the flag TP=1.

The TA flag within variant 13 of a type 14A group is used to indicate that the cross-referenced service is currently carrying a traffic announcement. This indication is intended for information only (e.g. for monitoring by broadcasters) and must not be used to initiate a switch even if traffic announcements are desired by the listener. A switch to the cross-referenced traffic announcement shall only be made when a TA=1 flag is detected in a type 14B group.

The type 14B group is used to cause the receiver to switch to a programme service which carries a traffic announcement. When a particular programme service begins a traffic announcement, all transmitters which cross-reference this service via the EON feature shall broadcast as many as possible of up to eight and at least four appropriate group 14B messages within the shortest practicable period of time (at least four type 14B groups per second). At the discretion of the broadcaster, a sequence of type 14B groups may be transmitted also when the TA flag is cleared. This option is provided only to assist in the control of transmitters; receivers shall use the TA flag in the type 0 or 15B groups of the service which carries the traffic announcements in order to switch back to the tuned programme service at the end of the received traffic announcement.

If a transmitter cross-references to more than one traffic programme with different PI(ON) via the EON feature, the start time between two references, via type 14B groups, shall be two seconds or more.

*Note: Some early RDS EON consumer receivers may need up to four correct type 14B groups for reliable functioning. Therefore it is recommended to broadcast as many as possible of up to eight type 14B groups, to ensure the detection of the switching under bad receiving conditions.*

The mechanism described above for switching to and from cross-referenced traffic announcements is designed to avoid the delivery of incomplete traffic messages by receivers operating under adverse reception conditions.

3.2.1.8.3 Method for linking RDS programme services (Type 1A and 14A groups) - Linkage information

Linkage information provides the means by which several programme services, each characterised by its own PI code, may be treated by a receiver as a single service during times a common programme is carried.

During such times each programme service retains its unique identity, i.e. the programme service must keep its designated PI code and its AF (Alternative Frequency) list(s), but may change programme related features such as PS, PTY, RT, TP and TA to reflect the common programme; with LA=1, a service carrying codes TP=1 or TP=0/TA=1 shall not be linked to another service carrying the codes TP=0/TA=0.

Linkage information is conveyed in the following four data elements:

- 1) LA - Linkage Actuator (1 bit)
- 2) EG - Extended Generic indicator (1 bit)
- 3) ILS - International Linkage Set indicator (1 bit)
- 4) LSN - Linkage Set Number (12 bits)

This information is carried in block 3 of variant 12 of type 14A groups, and informs the receiver to which set of programme services any particular service, defined by PI (ON) carried in block 4 of the same group, belongs.

When linkage information regarding the tuned programme service is transmitted, the PI code carried in block 4 of the group, PI (ON), will be identical to the PI code carried in block 1.

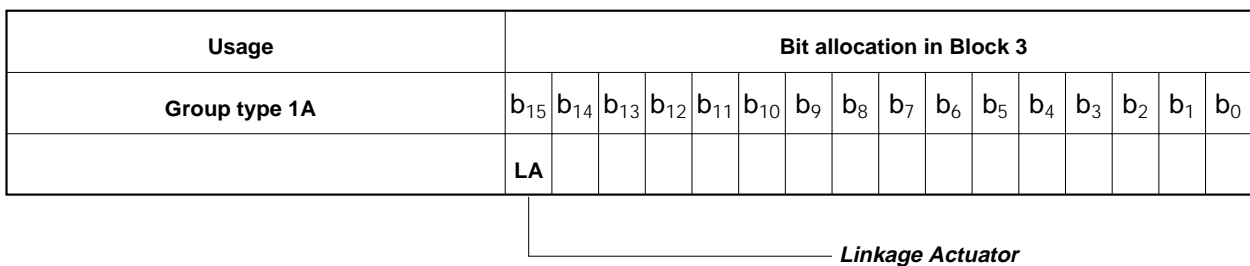


Figure 40: Structure of Block 3 of Type 1A groups

In order to achieve rapid de-linkage at the end of a common programme, the Linkage Actuator (LA) for the tuned network is also carried in group type 1A, as bit b<sub>15</sub> of block 3 (see 3.1.5.2). This group type shall normally be transmitted at least once every 5 s, preferably more frequently when a change in status occurs.

The four data elements used to convey linkage information are defined as follows:

*LA - Linkage Actuator (see figures 40, 41 and 42)*

This bit is set to one to inform the receiver that the programme service (indicated by PI(ON) in block 4) is linked to the set of services described by LSN, the Linkage Set Number, at the present moment. If this bit is set to zero, a potential future link is indicated, i.e. the link becomes active at some time in the future. The receiver may then use the linkage data to determine those services for which EON data might usefully be acquired.

*EG - Extended Generic indicator (see figures 41 and 42)*

This bit is set to one to inform the receiver that the programme service, defined in block 4 of a type 14A group is a member of an extended generic set. Such a set comprises programme services which are related (eg by common ownership, or a similar format) - but which do not necessarily carry the same audio.

An extended generic set is characterized by PI codes of the form WXYZ, where W is the common country code, X is the area code (and shall lie in the range R1 to R12), Y is common to all such related services, and Z may assume any value.

*ILS - International Linkage Set indicator (see figures 41 and 42)*

In case of an international link, the indicator ILS (bit  $b_{12}$  of block 3 in variant 12 of group type 14A) will be set to one.

*LSN - Linkage Set Number (see figures 41 and 42)*

This 12 bit number is carried in block 3 of variant 12 of type 14A groups. The LSN, when non-zero, is common to those programme services which may be linked together as a set according to the status of the Linkage Actuator, either active (LA=1) or potential (LA=0, i.e. the link becomes active at some time in the future).

The special case of LSN=0 is used as a default condition, and two or more services sharing LSN=0 are not linked.

The LSN may be used to link together two or more programmes either nationally or internationally.

- *National link (ILS=0)*

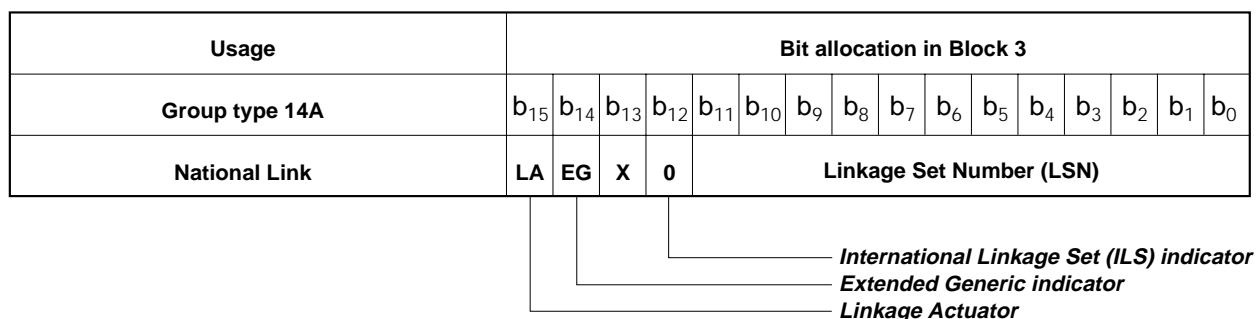


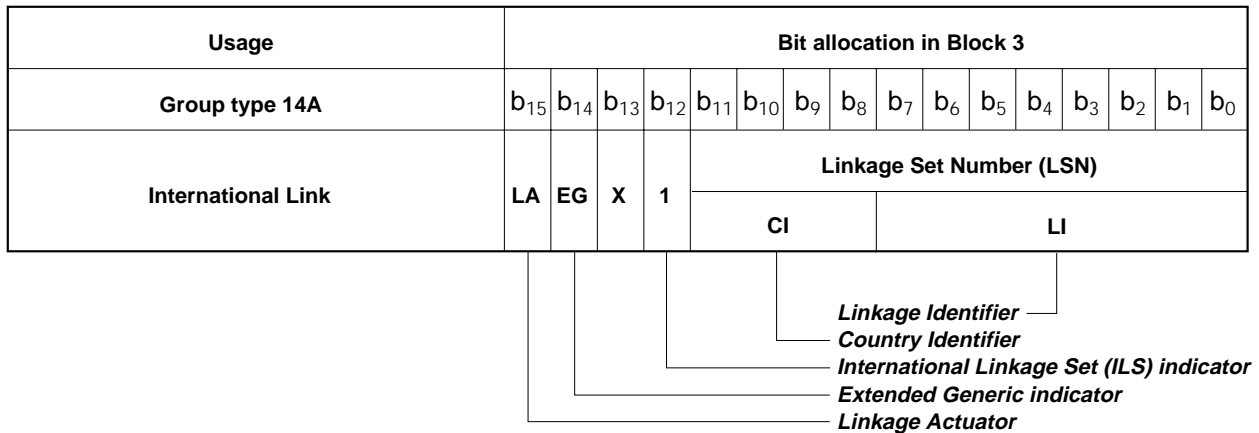
Figure 41 - Structure of variant 12 of block 3 of type 14A groups (linkage information) - National link

If two or more programme services with the same country code carry the same non-zero LSN and their respective LA bits are set to one, then the receiver may assume that the programme services are carrying the same audio.



- International link (ILS=1)

Figure 42 - Structure of variant 12 of



block 3 of type 14A groups (linkage information) - International link

In this case of an international link, the LSN is deemed to comprise two elements:

**CI-Country Identifier:** Bits b<sub>11</sub> to b<sub>8</sub> of block 3 shall be the country code of one of the two (or more) participating countries. For example, if Switzerland and Italy share a programme, they shall choose either HEX 4 or 5 for CI, and then agree on bits b<sub>7</sub> to b<sub>0</sub> for a unique **Linkage Identifier (LI)**.

**LI-Linkage Identifier:** Bits b<sub>7</sub> to b<sub>0</sub> are used to relate programme services internationally, and shall be agreed between the countries concerned. Such services share the same CI and LI.

When two or more programme services with the same or different country codes carry the same non-zero Linkage Set Number and their respective ILS and LA bits are set to one, then the receiver may assume that the programme services are carrying the same audio.

In figures 41 and 42 the bit indicated by "X" is not assigned to the linkage application and may be assumed to be in either state.

Conventions for application regarding the use of the LSN:

A link (potential or active) between any two or more programme services is considered to be valid only when the programme services are all linked with a common Linkage Set Number (LSN). No more than one Linkage Set Number will apply to any given programme service at the same time. Interleaving of different Linkage Set Numbers relating to the same programme service, e.g. an active link and a future potential link, is not permitted. An active link between m programme services out of n potentially linked services (m < n) is considered to be valid only when the Linkage Actuators (LA) in the linkage words concerning those m services are set to one.

### 3.2.2 Coding and use of information for display

Code tables for the displayed 8-bit text characters relating to the Programme Service name, RadioText, Programme Type Name and alphanumeric Radio Paging are given in annex E.

The Programme Service name comprises eight characters, intended for static display on a receiver. It is the primary aid to listeners in programme service identification and selection. The use of PS to transmit text other than a single eight character name is not permitted (see also 3.1.5.1). Transmission of a PS name usually takes four type 0A groups, but to allow an instant display of the PS when a receiver pre-set is selected, the PS name is often stored for subsequent recall from memory when a programme service is selected.

The transmission and reception conditions for PS described were designed on the basis that PS would generally be invariant. A few transmission operators have allowed PS to change to reflect the origin of the service, for example when a regional service switches to a national service. These changes which may occur a few times a day and have a duration of anything between a few minutes and several hours, are acceptable, but any other dynamic changes to PS are NOT acceptable and may cause a safety hazard by distracting a vehicle driver. A similar effect could be experienced with dynamic text transmission of PTYN. As a result, dynamic PS and PTYN transmissions are expressly forbidden.

Similarly RT could also be distracting to a vehicle driver, therefore the in-vehicle display of RT should normally be disabled and RT display should be designed for end-user viewing only when manually enabled.

### 3.2.3 Coding of Clock Time and date (CT)

The transmitted clock-time and date shall be accurate; otherwise the transmitted CT codes shall all be set to zero.

In order to avoid ambiguity when radio-data broadcasts from various sources are processed at one point (e.g. reception from multiple time zones), and to allow calculations of time intervals to be made independent of time zones and summer-time discontinuities, the broadcast time and date codes will use Coordinated Universal Time (UTC) and Modified Julian Day (MJD). A coded local time-difference, expressed in multiples of half-hours is appended to the time and date codes.

Conversion between the Modified Julian Day date and UTC time codes and the various calendar systems (e.g. year, month, day, or year, week number, day of week) can be accomplished quite simply by processing in the receiver decoder (see annex G).

### 3.2.4 Coding of information for Transparent Data Channels (TDC)

The coding of this information may be decided unilaterally by the operator, to suit the application. Consumer RDS receivers may provide an output of it (e.g. as a serial data stream) for an external device (e.g. a home computer).

### 3.2.5 Coding of information for In House applications (IH)

The coding of this information may be decided unilaterally by the broadcaster to suit the application. Consumer RDS receivers shall entirely ignore this information.

### 3.2.6 Coding of Radio Paging (RP)

Radio paging is described in detail in annex M.

#### 3.2.6.1. Introduction

The Radio paging system explained here is also described in Specification No. 1301/A694 3798 (issued by Swedish Telecom Radio) [9].

The two Radio paging protocols in this standard are:

- Radio paging as described in annex M, section M.2 and,
- Enhanced Paging Protocol (EPP) as described in annex M, section M.3.

As the Enhanced Paging Protocol is an improvement of Radio paging, upwards compatibility is assumed.

Radio paging offers the following features:

- Radio paging:

- Support for a wide range of message types, including international paging calls,
  - It is possible to use simultaneously more than one programme service (up to four) to carry the paging information. This allows flexibility to meet peak demands for the transmission of paging codes,
  - Battery-saving techniques are employed.

- Enhanced Paging Protocol:

- Possibility to support multi operator and/or multi area paging services,
  - Increased battery life time,
  - Implementation of an international Radio paging service,
  - Pager's compatibility with the US NRSC RBDS standard [15],
  - Extension of address range capability for a flexible management of a large number of pagers,
  - Increased reliability of the system,
  - Message labelling,
  - Extension of the range of message types.

### 3.2.6.2 Identification of paging networks

#### 3.2.6.2.1 No paging on the network

As some fields of type 1A groups are used for paging, either basic or enhanced, and to avoid conflicts with other applications, the following rules must be respected by broadcasters/operators, when type 1A groups are transmitted:

- The 5 bits of the block 2 relative to the paging are set to zero.
- The 4 bits of the block 3 of type 1A group, variant 0, reserved for paging are set to zero.
- When no valid PIN is broadcast, all the five most significant bits of block 4 (day) shall be set to zero.
- Type 1A group, variant 2, shall not be transmitted.

#### 3.2.6.2.2. Paging on the network

- Type 4A group<sup>3)</sup>, Clock time and date (CT), is transmitted at the start of every minute.
- Type 1A groups are transmitted at least once per second. All the fields of type 1A groups allow the identification of the paging protocol level:

Radio Paging,  
Enhanced Paging Protocol, or  
Mixed.

The description of these protocols is detailed in the annex M.

- Type 7A group is used to convey the paging information.
- Type 13A group, which is used to transmit the information relative to the network and the paging traffic, is optional and used only in case of enhanced or mixed paging.

---

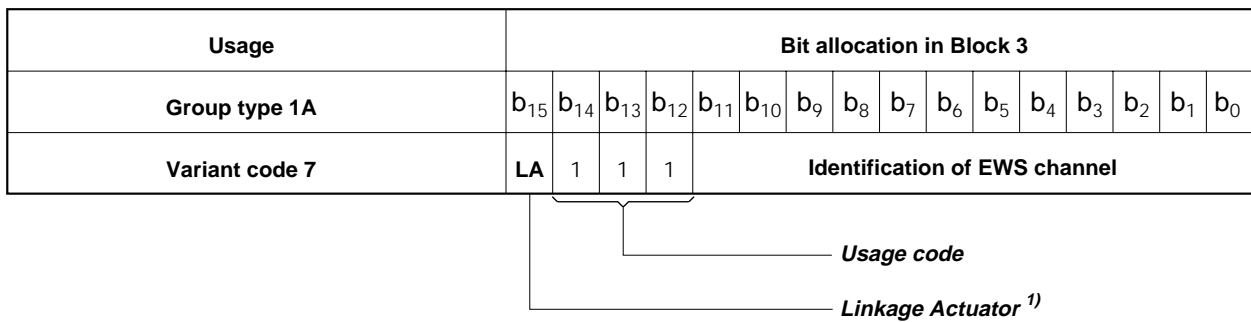
<sup>3)</sup> The transmitted CT (see 3.1.5.6 and 3.2.3) must be accurate, otherwise the CT codes must all be set to zero.

### 3.2.7 Coding of Emergency Warning Systems (EWS)

The information is carried by type 9A groups (see 3.1.5.13) and this service may be independent of the warning and alarm codes (PTY = 30 and PTY = 31).

The type 1A group identification is also required to operate this service, as follows:

Variant 7 in block 3 of the type 1A group (see figure 43) is used to identify the transmission that carries emergency messages to enable specific receivers, evaluating these messages to automatically tune to the corresponding channel. The repetition rate depends on the exact national implementation, but shall normally not exceed one type 1A group every two seconds.



<sup>1)</sup> The Linkage Actuator is defined in the Method for Linking RDS Programme Services (see 3.2.1.8.3)

Figure 43 - Structure of Variant 7 of Block 3 of type 1A groups  
(Identification of a programme carrying EWS information)

## 4 Description of features

### 4.1 Alternative Frequencies list (AF)

The list(s) of alternative frequencies give information on the various transmitters broadcasting the same programme in the same or adjacent reception areas, and enable receivers equipped with a memory to store the list(s), to reduce the time for switching to another transmitter. This facility is particularly useful in the case of car and portable radios. Coding of alternative frequencies is explained in 3.2.1.6.2.

### 4.2 Clock Time and date (CT)

Time and date codes shall use Coordinated Universal Time (UTC) and Modified Julian Day (MJD). Details of using these codes, which are intended to update a free running clock in a receiver are given in 3.2.3 and annex G. If MJD = 0 the receiver shall not be updated. The listener, however, will not use this information directly and the conversion to local time and date will be made in the receiver's circuitry. CT is used as time stamp by various RDS applications and thus it must be accurate.

### 4.3 Decoder Identification (DI) and dynamic PTY Indicator (PTYI)

These bits indicate which possible operating modes are appropriate for use with the broadcast audio and to indicate if PTY codes are switched dynamically.

### 4.4 Extended Country Code (ECC)

RDS uses its own country codes (see annexes D and N). The first most significant bits of the PI code carry the RDS country code. The four bit coding structure only permits the definition of 15 different codes, 1 to F (hex). Since there are many more countries to be identified, some countries have to share the same code which does not permit unique identification. Hence there is the need to use the Extended Country Code which is transmitted in Variant 0 of Block 3 in type 1A groups and together with the country identification in bits  $b_{15}$  to  $b_{12}$  of the PI code render a unique combination. The ECC consists of eight bits.

### 4.5 Enhanced Other Networks information (EON)

This feature can be used to update the information stored in a receiver about programme services other than the one received. Alternative frequencies, the PS name, Traffic Programme and TrafficAnnouncement identification as well as Programme Type and Programme Item Number information can be transmitted for each other service. The relation to the corresponding programme is established by means of the relevant Programme Identification (see 3.2.1.8). Linkage information (see 3.2.1.8.3), consisting of four data elements, provides the means by which several programme services may be treated by the receiver as a single service during times a common programme is carried. Linkage information also provides a mechanism to signal an extended set of related services.

### 4.6 Emergency Warning System (EWS)

The EWS feature is intended to provide for the coding of warning messages. These messages will be broadcast only in cases of emergency and will only be evaluated by special receivers (see 3.2.7).

#### 4.7 In House application (IH)

This refers to data to be decoded only by the operator. Some examples noted are identification of transmission origin, remote switching of networks and paging of staff. The applications of coding may be decided by each operator itself.

#### 4.8 Music Speech switch (MS)

This is a two-state signal to provide information on whether music or speech is being broadcast. The signal would permit receivers to be equipped with two separate volume controls, one for music and one for speech, so that the listener could adjust the balance between them to suit his individual listening habits.

#### 4.9 Open Data Applications (ODA)

The Open Data Applications feature (see 3.1.4) allows data applications, not previously specified in EN 50067, to be conveyed in a number of allocated groups in an RDS transmission. The groups allocated are indicated by the use of type 3A group which is used to identify to a receiver the data application in use in accordance with the registration details in the EBU/RDS Forum - Open Data Applications Directory (see annex L).

#### 4.10 Programme Identification (PI)

This information consists of a code enabling the receiver to distinguish between countries, areas in which the same programme is transmitted, and the identification of the programme itself. The code is not intended for direct display and is assigned to each individual radio programme, to enable it to be distinguished from all other programmes. One important application of this information would be to enable the receiver to search automatically for an alternative frequency in case of bad reception of the programme to which the receiver is tuned; the criterion for the change-over to the new frequency would be the presence of a better signal having the same Programme Identification code.

#### 4.11 Programme Item Number (PIN)

The code shall enable receivers and recorders designed to make use of this feature to respond to the particular programme item(s) that the user has preselected. Use is made of the scheduled programme time, to which is added the day of the month in order to avoid ambiguity (see 3.2.1.7).

#### 4.12 Programme Service name (PS)

This is the label of the programme service consisting of not more than eight alphanumeric characters coded in accordance with annex E, which is displayed by RDS receivers in order to inform the listener what programme service is being broadcast by the station to which the receiver is tuned (see 3.1.5.1). An example for a name is "Radio 21". The Programme Service name is not intended to be used for automatic search tuning and must not be used for giving sequential information.

#### 4.13 Programme TYpe (PTY)

This is an identification number to be transmitted with each programme item and which is intended to specify the current Programme Type within 31 possibilities (see annex F). This code could be used for search tuning. The code will, moreover, enable suitable receivers and recorders to be pre-set to respond only to programme items of the desired type. The last number, i.e. 31, is reserved for an alarm identification which is intended to switch on the audio signal when a receiver is operated in a waiting reception mode.

#### 4.14 Programme TYpe Name (PTYN)

The PTYN feature is used to further describe current PTY. PTYN permits the display of a more specific PTY description that the broadcaster can freely decide (eg PTY=4: Sport and PTYN: Football ). The PTYN is not intended to change the default eight characters of PTY which will be used during search or wait modes, but only to show in detail the programme type once tuned to a programme. If the broadcaster is satisfied with a default PTY name, it is not necessary to use additional data capacity for PTYN. The Programme Type Name is not intended to be used for automatic PTY selection and must not be used for giving sequential information.

#### 4.15 Radio Paging (RP)

The RP feature is intended to provide radio paging using the existing VHF/FM broadcasts as a transport mechanism, thereby avoiding the need for a dedicated network of transmitters. Subscribers to a paging service will require a special pocket paging receiver in which the subscriber address code is stored.

The detailed coding protocols are given in annex M.

#### 4.16 RadioText (RT)

This refers to text transmissions coded in accordance with annex E, primarily addressed to consumer home receivers, which would be equipped with suitable display facilities (see 3.2.2).

#### 4.17 Traffic Announcement identification (TA)

This is an on/off switching signal to indicate when a traffic announcement is on air. The signal could be used in receivers to:

- a) switch automatically from any audio mode to the traffic announcement;
- b) switch on the traffic announcement automatically when the receiver is in a waiting reception mode and the audio signal is muted;
- c) switch from a programme to another one carrying a traffic announcement, according to those possibilities which are given in 3.2.1.3 or 3.2.1.8.2.

After the end of the traffic announcement the initial operating mode will be restored

#### 4.18 Transparent Data Channels (TDC)

The transparent data channels consist of 32 channels which may be used to send any type of data.

#### 4.19 Traffic Message Channel (TMC)

This feature is intended to be used for the coded transmission of traffic information (ALERT protocol). The coding for TMC is separately specified by the CEN standard ENV 12313-1 (see 3.1.5.12).

#### 4.20 Traffic Programme identification (TP)

This is a flag to indicate that the tuned programme carries traffic announcements. The TP flag must only be set on programmes which dynamically switch on the TA identification during traffic announcements. The signal shall be taken into account during automatic search tuning.



## 5 Marking

Equipment using RDS features should be marked with one of the symbols given in annex K.

Copyright of these symbols is owned jointly by the European Broadcasting Union and the British Broadcasting Corporation. These organizations freely grant permission to use these symbols to all manufacturers of RDS equipment to be used on equipment conforming to this specification, in whole or in part, and upon literature and packaging relating to such products.

**U.S.A.** - Trademark of these symbols is owned by the National Association of Broadcasters on behalf on the National Radio Systems Committee. Manufacturers wishing to use these symbols must comply with the NRSC (EIA/NAB) RBDS Standard of the USA [15] and obtain certification that the products or equipment conform to this specification.

Contact:

RDS Certification Program  
c/o Consumer Electronic Manufacturers Association  
2500 Wilson Boulevard  
Arlington, VA. 22201

Phone: (703) 907-7500

Blank page

**ANNEX A**  
**(normative)**

**Offset words to be used for group and block synchronisation**

The offset words are chosen in such a way that the content in the offset register will not be interpreted as a burst of errors equal to or shorter than five bits when rotated in the polynomial shift register (see annex B).

Only eight bits (i.e.  $d_9$  to  $d_2$ ) are used for identifying the offset words. The remaining two bits (i.e.  $d_1$  and  $d_0$ ) are set to logical level zero.

The six offset words (A, B, C, C', D, E) of the table below are used for all applications. For MMBS (Modified-Mobile-Search paging) applications an additional offset word E is used to maintain synchronisation.

**Table A.1**

Offset word	Binary value									
	$d_9$	$d_8$	$d_7$	$d_6$	$d_5$	$d_4$	$d_3$	$d_2$	$d_1$	$d_0$
A	0	0	1	1	1	1	1	1	0	0
B	0	1	1	0	0	1	1	0	0	0
C	0	1	0	1	1	0	1	0	0	0
C'	1	1	0	1	0	1	0	0	0	0
D	0	1	1	0	1	1	0	1	0	0
E <sup>1)</sup>	0	0	0	0	0	0	0	0	0	0

The offset words are added (modulo-two) to the checkword  $c_9 - c_0$  to generate the modified check-bits:  $c'_9 - c'_0$  (see 2.3, Error protection).

---

<sup>1)</sup> Attention is drawn to the fact that, in the USA (see [15] ), offset word E (binary value = 0) is used in multiples of four blocks, when RDS and MMBS (Modified-Mobile-Search paging) are simultaneously implemented. Offset word E and multiplexing of RDS/MMBS must not be used in RDS implementations outside the USA.

**ANNEX B**  
**(informative)**

## Theory and implementation of the modified shortened cyclic code

The data format described in this document uses a shortened cyclic block code, which is given the capability of detecting block-synchronisation-slip by the addition (modulo-two) of chosen binary sequences (offset words, see annex A) to the check bits of each codeword [4, 6, 7].

### B.1 Encoding procedure

#### B.1.1 Theory

A definitive description of the encoding of the information is given in 3.2.

The code used is an optimum burst-error-correcting shortened cyclic code [5] and has the generator polynomial:

$$g(x) = x^{10} + x^8 + x^7 + x^5 + x^4 + x^3 + 1$$

Each block consists of 16 information bits and 10 check bits. Thus the block length is 26 bits.

The 10-bit checkword of the basic shortened cyclic code may be formed in the usual way, i.e. it is the remainder after multiplication by  $x^{n-k}$  (where  $n-k$  is the number of check bits, 10 here), and then division (modulo-two) by the generator polynomial  $g(x)$ , of the message vector.

Thus if the polynomial  $m(x) = m_{15}x^{15} + m_{14}x^{14} + \dots + m_1x + m_0$

(where the coefficients  $m_n$  are 0 or 1), represents the 16-bit message vector, the basic code vector  $v(x)$  is given by:

$$v(x) = m(x)x^{10} + \frac{m(x)x^{10}}{g(x)} \Bigg| \text{mod } g(x)$$

The transmitted code vector is then formed by the addition (modulo-two) of the 10-bit offset word,  $d(x)$  (see annex A) to the basic code vector  $v(x)$ .

Thus the transmitted code vector,  $c(x)$ , is given by:

$$\begin{aligned} c(x) &= d(x) + v(x) \\ &= d(x) + \frac{m(x)x^{10}}{g(x)} \Bigg| \text{mod } g(x) \end{aligned}$$

The code vector is transmitted m.s.b. first, i.e. information bits  $c_{25}x^{25}$  to  $c_{10}x^{10}$ , followed by modified check bits  $c_9x^9$  to  $c_0x^0$ .

The encoding process may alternatively be considered in terms of its generator matrix **G** which is derived from the generator polynomial. The 16 information bits are expressed as a 16 x 1 column matrix and multiplied by the generator matrix to give the information bits and check bits. The complete transmitted code vector is then formed by the addition of the offset word, d(x).

$$\mathbf{G} = \begin{pmatrix}
 1 & 0 & 0 & 0 & 0 & 0 & 0 & 0 & 0 & 0 & 0 & 0 & 0 & 0 & 0 & 0 & 0 & 0 & 1 & 1 & 1 & 0 & 1 & 1 & 1 \\
 0 & 1 & & & & & & & & & & & & & & & & & 0 & 1 & 0 & 1 & 1 & 1 & 0 & 0 & 1 & 1 & 1 \\
 0 & & 1 & & & & & & & & & & & & & & & & 0 & 1 & 1 & 1 & 0 & 1 & 0 & 1 & 1 & 1 & 1 \\
 0 & & & 1 & & & & & & & & & & & & & & & 0 & 1 & 1 & 0 & 0 & 0 & 0 & 1 & 0 & 1 & 1 \\
 0 & & & & 1 & & & & & & & & & & & & & & 0 & 1 & 1 & 0 & 1 & 0 & 1 & 1 & 0 & 0 & 1 \\
 0 & & & & & 1 & & & & & & & & & & & & & 0 & 1 & 1 & 0 & 1 & 1 & 1 & 0 & 0 & 0 & 0 \\
 0 & & & & & & 1 & & & & & & & & & & & & 0 & 0 & 1 & 1 & 0 & 1 & 1 & 1 & 0 & 0 & 0 \\
 0 & & & & & & & 1 & & & & & & & & & & & 0 & 0 & 0 & 1 & 1 & 0 & 1 & 1 & 1 & 0 & 0 \\
 0 & & & & & & & & 1 & & & & & & & & & & 0 & 0 & 0 & 0 & 1 & 1 & 0 & 1 & 1 & 1 & 0 \\
 0 & & & & & & & & & 1 & & & & & & & & & 0 & 0 & 0 & 0 & 0 & 1 & 1 & 0 & 1 & 1 & 1 \\
 0 & & & & & & & & & & 1 & & & & & & & & 0 & 1 & 0 & 1 & 1 & 0 & 0 & 0 & 1 & 1 & 1 \\
 0 & & & & & & & & & & & 1 & & & & & & & 0 & 1 & 1 & 1 & 0 & 1 & 1 & 1 & 1 & 1 & 1 \\
 0 & & & & & & & & & & & & 1 & & & & & & 0 & 1 & 1 & 0 & 0 & 0 & 0 & 0 & 0 & 1 & 1 \\
 0 & & & & & & & & & & & & & 1 & & & & & 0 & 1 & 1 & 0 & 1 & 0 & 1 & 1 & 1 & 0 & 1 \\
 0 & & & & & & & & & & & & & & 1 & & & & 1 & 0 & 1 & 1 & 0 & 1 & 1 & 1 & 0 & 0 & 1 & 0 \\
 0 & 0 & 0 & 0 & 0 & 0 & 0 & 0 & 0 & 0 & 0 & 0 & 0 & 0 & 0 & 0 & 0 & 1 & 0 & 1 & 1 & 0 & 1 & 1 & 1 & 0 & 0 & 1 & 0
 \end{pmatrix}$$

Figure B.1 - Generator matrix of the basic shortened cyclic code in binary notation

Thus,

$$(m_{15}x^{15} + m_{14}x^{14} + \dots + m_0) \mathbf{G} = m_{15}x^{25} + m_{14}x^{24} + \dots + m_0x^{10} + c_9x^9 + c_8x^8 + \dots$$

where

$$\begin{aligned}
 c_9 &= (m_{15} \times 0) \oplus (m_{14} \times 1) \oplus (m_{13} \times 1) \oplus \dots \oplus (m_1 \times 1) \oplus (m_0 \times 0) \\
 c_8 &= (m_{15} \times 0) \oplus (m_{14} \times 0) \oplus (m_{13} \times 1) \oplus \dots \oplus (m_1 \times 1) \oplus (m_0 \times 1), \text{ etc.} \\
 &(\oplus \text{ indicates modulo-two addition}).
 \end{aligned}$$

The check bits of the code vector are thus readily calculated by the modulo-two addition of all the rows of the generator matrix for which the corresponding coefficient in the message vector is "1".

Thus for the message vector:

$$m(x) = 0000000000000001$$

The corresponding code vector is:

$$v(x) = 00000000000000010110111001$$

which may be seen to be the bottom row of the generator matrix.

After adding the offset word say d(x) = 0110011000 the transmitted code vector is:

$$c(x) = 00000000000000010000100001$$

Similarly for the all "1"s message vector:

$$m(x) = 1111111111111111$$

it follows that:

$$v(x) = 11111111111111110011001101$$

which on adding an offset word  $d(x) = 0110011000$  becomes:

$$c(x) = 11111111111111110101010101$$

**B.1.2 Shift-register implementation of the encoder**

Figure B.2 shows a shift-register arrangement for encoding the transmitted 26-bit blocks. The encoding procedure is as follows:

- a) At the beginning of each block clear the 10-bit encoder shift-register to the "all-zeroes" state.
- b) With gates A and B open (i.e. data passes through) and gate C closed (data does not pass through) clock the 16-bit message string serially into the encoder and simultaneously out to the data channel.
- c) After all the 16 message bits for a block have been entered, gates A and B are closed and gate C opened.
- d) The encoder shift-register is then clocked a further 10 times to shift the checkword out to the data channel through a modulo-two adder where the offset word,  $d(x)$ , appropriate to the block is added serially bit-by-bit to form the transmitted checkword.
- e) The cycle then repeats with the next block.

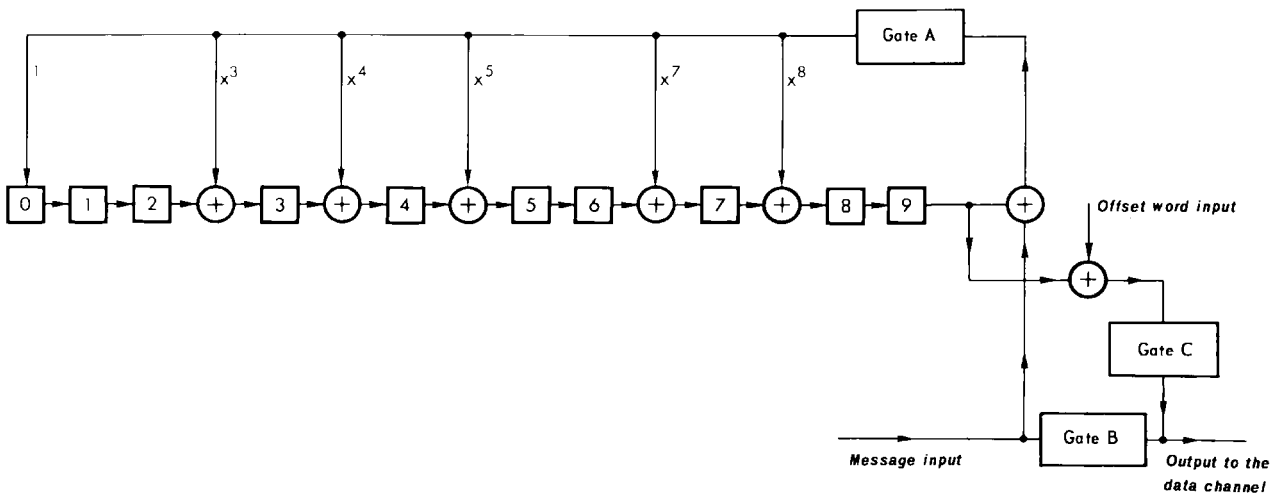


Figure B.2 - Shift-register implementation of the encoder



Thus  $\bar{s} = \bar{z}H = 1111011000$

The other syndromes can be calculated in the same way. The syndromes corresponding to offset words A to D calculated using the matrix of figure B.3, are shown in the table below:

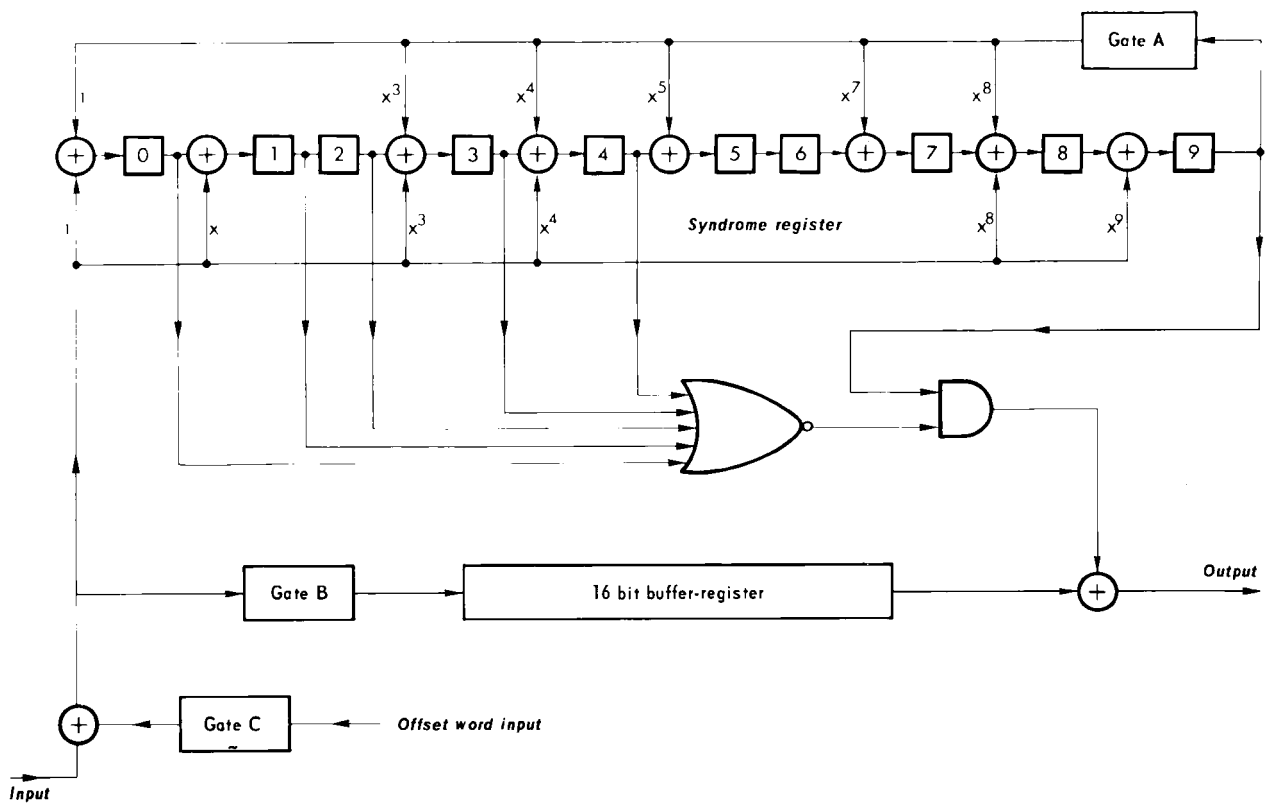
**Table B.1**

Offset	Offset word $d_9, d_8, d_7, \dots, d_0$	Syndrome $S_9, S_8, S_7, \dots, S_0$
A	0011111100	1111011000
B	0110011000	1111010100
C	0101101000	1001011100
C'	1101010000	1111001100
D	0110110100	1001011000

**B.2.2 Implementation of the decoder**

There are several methods using either hardware or software techniques for implementing the decoder. One possible method is described below.

Figure B.4 shows a shift-register arrangement for decoding the transmitted 26-bit blocks and performing error-correction and detection.



*Figure B.4 - Shift-register implementation of the decoder*



The decoding procedure is as follows, assuming that in this explanation group and block synchronisation have already been acquired (see annex C):

- a) At the beginning of each block the 10-bit syndrome-register and the 16-bit buffer-register are cleared to the "all-zeroes" state.
- b) The 16 information bits are fed into the syndrome- and buffer-registers. Gates A and B are open (conducting), and Gate C is closed (not conducting).
- c) With Gate B closed and Gate C open the 10 check-bits are fed into the syndrome-register. The offset word appropriate to the block is then subtracted from the checkword serially bit-by-bit at the modulo-two adder at the input to the decoder.
- d) The 16 information bits in the buffer-register are clocked to the output and the contents of the syndrome-register are rotated with Gate A open.
- e) When the five left-most stages in the syndrome-register are all zero a possible error burst with a maximum length of five bits must lie in the five right-hand stages of the register.
- f) Gate A is closed and the contents of the syndrome register are added bit-by-bit to the bit-stream coming from the buffer-register. If the five left-most stages do not become all zero before the buffer-register is empty, either an uncorrectable error has occurred or the error is in the check-bits.
- g) The cycle then repeats with the next block.

In this implementation of the decoder, in addition to the connections to the syndrome register corresponding to the coefficients of the generator polynomial,  $g(x)$ , there is a second set of connections to perform automatic premultiplication of the received message by  $x^{325}$  modulo  $g(x)$ . This is necessary because the code has been shortened from its natural cyclic length of 341 bits. The remainder of  $x^{325}$  modulo  $g(x)$  is:  $x^9 + x^8 + x^4 + x^3 + x + 1$ , and the second set of connections to the syndrome register may be seen to correspond to the coefficients in this remainder.

Reference [4] of annex Q gives a further explanation of this decoding technique.

**ANNEX C**  
**(informative)**

## Implementation of group and block synchronisation using the modified shortened cyclic code

### **C.1 Theory**

#### **C.1.1 Acquisition of group and block synchronisation**

To acquire group and block synchronisation at the receiver (for example when the receiver is first switched on, on tuning to a new station, or after a prolonged signal-fade) the syndrome  $\bar{s}$  must be calculated for each received 26-bit sequence. That is, on every data-clock pulse the syndrome of the currently stored 26-bit sequence (with the most recently received data bit at one end and the bit received 26 clock pulses ago at the other) is calculated on every clock pulse.

This bit-by-bit check is done continuously until two syndromes corresponding to valid offset words, and in a valid sequence for a group i.e. [ A, B, C (or C'), D] are found  $n \times 26$  bits apart (where  $n = 1, 2, 3$ , etc.). When this is achieved, the decoder is synchronised and the offset words which are added to the parity bits at the transmitter are subtracted at the receiver before the syndrome calculation for error correction/detection is done (see annex B).

#### **C.1.2 Detection of loss of synchronisation**

It is very important to detect loss of synchronisation as soon as possible. One possibility is to check the syndrome continuously as for acquisition of synchronisation. However, errors in the channel will make it difficult to continuously receive the expected syndromes, and therefore the decision must be based on the information from several blocks, e.g. up to 50 blocks. Another possibility is to check the number of errors in each block and base the decision on the number of errors in 50 blocks.

One possibility for detecting block synchronisation slips of one bit is to use the PI code, which does not usually change on any given transmission. If the known PI code is received correctly, but is found to be shifted one bit to the right or to the left, then a one bit clock-slip is detected. The decoder can then immediately correct the clock-slip.

### **C.2 Shift register arrangement for deriving group and block synchronisation information**

There are several methods using either hardware or software techniques for deriving group and block synchronisation information. One possible method is described below. Figure C.1 shows a block diagram of a shift-register arrangement for deriving group and block synchronisation information from the received data stream. It may be seen to comprise five main elements:

- a) a 26-bit shift-register which may act either as a straight 26-bit delay (A/B input selector high) or as a recirculating shift-register (A/B input selector low);

- b) a polynomial division circuit comprising a 10-bit shift-register with feedback taps appropriate to the generator polynomial,  $g(x)$ , described in 2.3 and annex B;
- c) a combinational logic circuit with five outputs indicating the presence of the "correct" syndromes resulting from the five offset words A, B, C, C' and D;
- d) a fast-running clock operating with a frequency of at least 33.5 kHz;
- e) a modulo-28 counter with endstops, decoding for states 0, 1 and 27, and associated logic gates 1 to 3 and flip-flops 1 to 3 (FF1 to FF3).

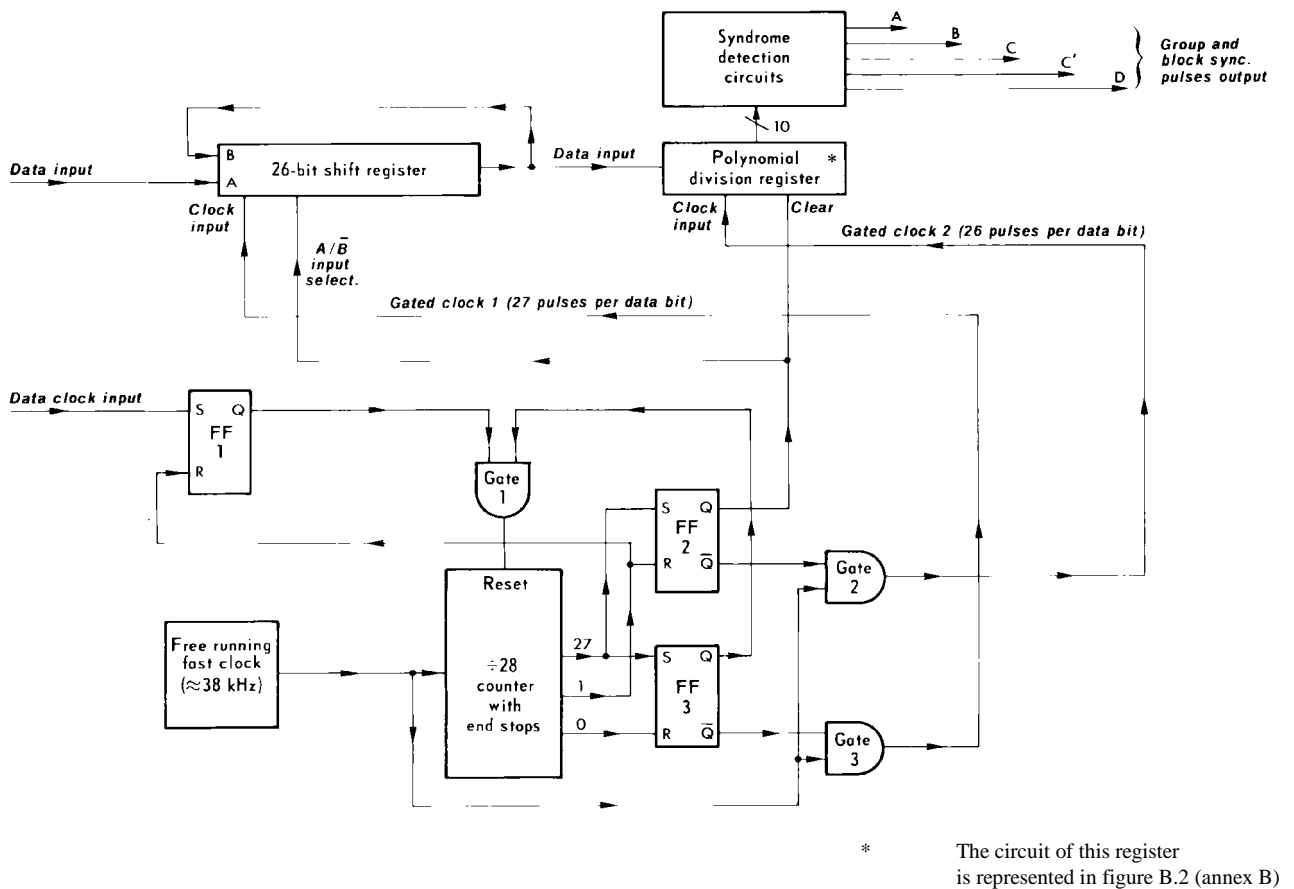


Figure C.1 - Group and block synchronisation detection circuit

Assume that the modulo-28 counter is initially on its top endstop (state 27). Then FF2 and FF3 are set and FF1 is reset. The gated clocks to the 26-bit shift-register and the polynomial division circuit (gated clocks 1 and 2) are inhibited and the division circuit shift-register is cleared.

On the next data clock pulse FF1 is set, which in turn resets the modulo-28 counter to state 0. This resets FF3 which enables the fast clock (gated clock 1) to the 26-bit shift-register. This has its input A selected and thus the new data bit is entered into its left-hand end; the shift-register of the polynomial division circuit remains cleared and not clocked. On the next fast clock-pulse FF1 is reset ready for the next data clock-pulse.

Before then, however, the fast clock circulates the 26 bits currently stored in the shift-register around, and thus passes them serially into the polynomial division shift-register where the syndrome (i.e. the remainder of the polynomial division) is calculated. If these 26 bits happened to be a valid code-word then the syndrome would be  $x^{10}d(x)$  modulo  $g(x)$ , e.g. if the offset word is  $d(x) = 0011111100$ , then the corresponding "correct" syndrome for that block would be 0101111111.

It should be noted that the syndromes obtained with this polynomial division register are different from that resulting from the matrix of figure B.3 or the circuit of figure B.4. The syndromes corresponding to offset words A to D are shown in the table below.

**Table C.1**

Offset	Offset word $d_9, d_8, d_7, \dots, d_0$	Syndrome $S_9, S_8, S_7, \dots, S_0$
A	0011111100	0101111111
B	0110011000	0000001110
C	0101101000	0100101111
C'	1101010000	1011101100
D	0110110100	1010010111

When the syndrome corresponding to one of the five offset words is found, a block synchronisation pulse is given out of the appropriate one of the five outputs of the combinational logic circuit. With high probability (99.5%) this will only occur when the stored 26 bits are a complete error-free block.

This decoding process must all be achieved in under one data-bit period ( $\approx 842 \mu\text{s}$ ).

On the next data-clock pulse the whole process repeats with the new data bit in the leftmost cell of the 26-bit shift-register and all the other bits shifted along one place to the right. Thus a block synchronisation pulse will usually be derived once every 26 bits and will mark the end of each received block.

Moreover, since the circuit identifies which offset word A, B, C, C' or D was added to the block, group synchronisation is also achieved.

These group and block synchronisation pulses cannot be used directly because with this system false synchronisation pulses due to data mimicking or errors will occur. On average (with random data) false synchronisation pulses occur once in every  $1024/5$  bits or approximately six times per second. Similarly, when errors occur, block synchronisation pulses will be missed because even with correct block synchronisation one of the "correct" syndromes corresponding to one of the five offset words will not result.

Thus it is necessary to have some sort of block synchronisation flywheel to eliminate spurious synchronisation pulses and fill in the missing ones. This could be achieved with any one of the standard strategies, but should take into account the fixed cyclic rhythm of occurrence of the offset words i.e. A, B, C (or C'), D, A, B ..., etc.

**ANNEX D**  
**(normative)**

**Programme identification codes and Extended country codes**

**D.1 PI structure**

Code assignments for bits  $b_{15}$  to  $b_0$  should be decided by relevant authorities in each country individually.

**Note:** Different rules apply for the USA [15].

$b_{15}$				$b_{12}$				$b_{11}$				$b_8$				$b_7$				$b_4$				$b_3$				$b_0$							

Figure D.1 - PI structure

*Bits  $b_{15}$  to  $b_{12}$ : Country code*

Codes are indicated on the map of figure D.3 and table D.1. Code 0 (Hex) shall not be used for country identification.

*Bits  $b_{11}$  to  $b_8$ : Programme type in terms of area coverage*

Codes are given in D.4.

*Bits  $b_7$  to  $b_0$ : Programme reference number*

Codes are given in D.5.

*General remark:* All codes are binary-coded Hex numbers.

Codes shall be assigned in such a way that automatic search tuning to other transmitters radiating the same programme can locate the same programme identification code, i.e. all 16 bits shall be identical. In cases where during a few programme hours a network is split to radiate different programmes, each of these programmes shall carry a different programme identification code, by using different coverage-area codes.

**D.2 Extended country codes**

Extended country codes (see table D.1) shall be transmitted in type 1A groups to render the country code in bits  $b_{15}$  to  $b_{12}$  of the PI code unique. The Extended country code (ECC) is carried in Variant 0 of Block 3 of type 1A groups and consists of eight bits. This Variant shall be transmitted at least once every minute.

Usage	Bit allocation in Block 3															
Group type 1A	$b_{15}$	$b_{14}$	$b_{13}$	$b_{12}$	$b_{11}$	$b_{10}$	$b_9$	$b_8$	$b_7$	$b_6$	$b_5$	$b_4$	$b_3$	$b_2$	$b_1$	$b_0$
Variant code 0	LA	0	0	0	OPC				Extended Country Code							

The bit allocation of the Extended country codes is given in figure D.2, and the codes are given in table D.1.

<sup>1)</sup> The Operator Code for Radio Paging using the Enhanced Paging Protocol is defined in annex M (see M.3.2.2 and M.3.2.4).

<sup>2)</sup> The Linkage Actuator is defined in the Method for linking RDS programme services (see 3.2.1.8.3).

Figure D.2 - Structure of Variant 0 of Block 3 of Type 1A groups (Extended Country Codes)

D.3 Country codes

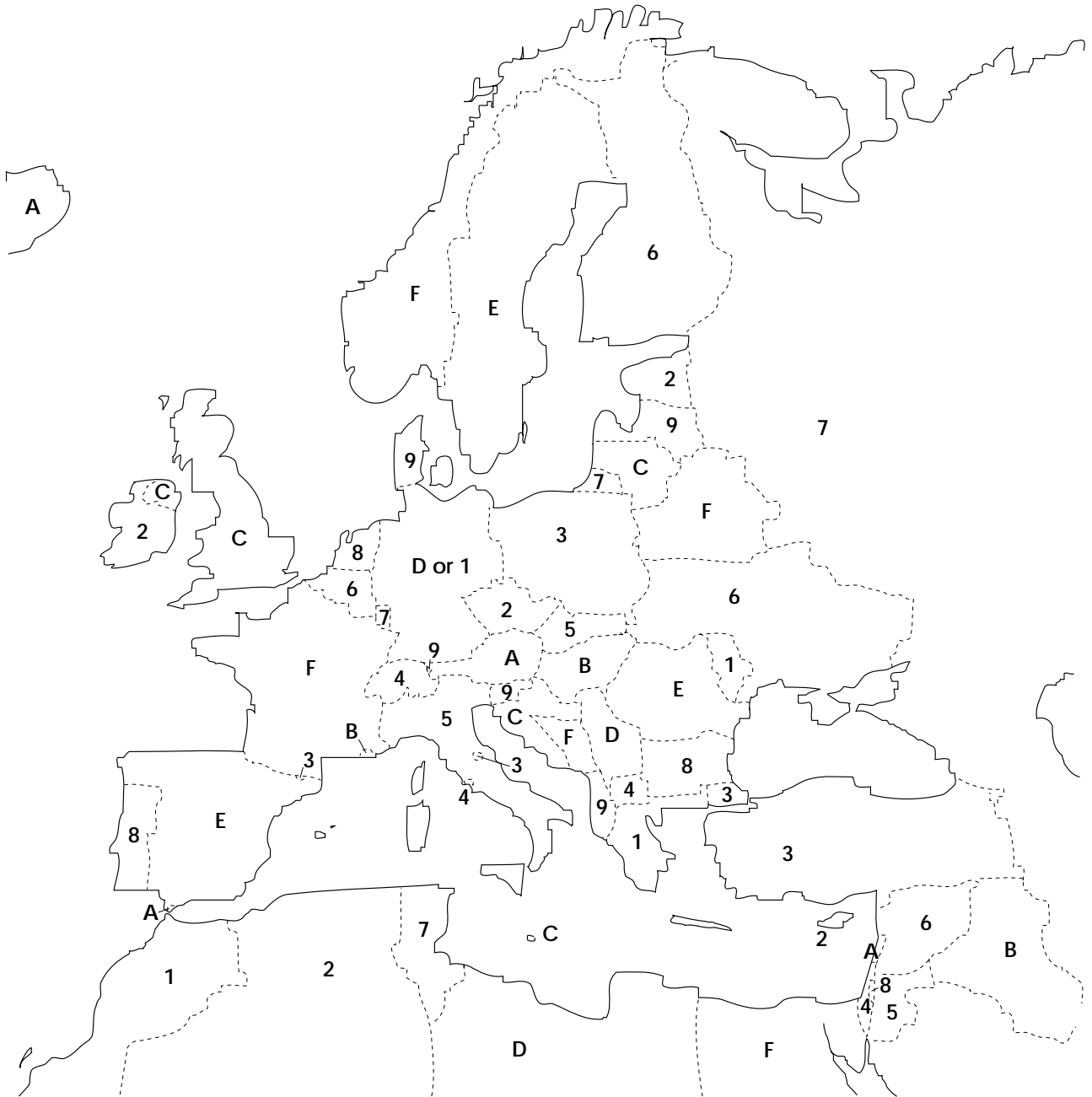


Figure D.3 - Correspondence between geographical locations and the symbols used for the various countries using the countries within the European Broadcasting Area as an example

**Table D.1**  
**Symbols used for ECC and PI country codes for the countries in the European Broadcasting Area <sup>2)</sup>**

<i>Country</i>	<i>ISO code</i>	<i>ECC and Country code</i>		<i>Country</i>	<i>ISO code</i>	<i>ECC and Country code</i>	
Albania	AL	E0	9	Italy	IT	E0	5
Algeria	DZ	E0	2	Jordan	JO	E1	5
Andorra	AD	E0	3	Latvia	LV	E3	9
Austria	AT	E0	A	Lebanon	LB	E3	A
Azores (Portugal)	PT	E4	8	Libya	LY	E1	D
Belgium	BE	E0	6	Liechtenstein	LI	E2	9
				Lithuania	LT	E2	C
				Luxembourg	LU	E1	7
				Macedonia	MK	E3	4
				Madeira (Portugal)	PT	E4	8
Belarus	BY	E3	F	Malta	MT	E0	C
Bosnia Herzegovina	BA	E4	F	Moldova	MD	E4	1
Bulgaria	BG	E1	8	Monaco	MC	E2	B
Canaries (Spain)	ES	E2	E	Morocco	MA	E2	1
Croatia	HR	E3	C				
Cyprus	CY	E1	2	Netherlands	NL	E3	8
Czech Republic	CZ	E2	2	Norway	NO	E2	F
				Palestine	PS	E0	8
				Poland	PL	E2	3
Denmark	DK	E1	9	Portugal	PT	E4	8
Egypt	EG	E0	F	Romania	RO	E1	E
Estonia	EE	E4	2	Russian Federation	RU	E0	7
Faroe (Denmark)	DK	E1	9	San Marino	SM	E1	3
Finland	FI	E1	6	Slovakia	SK	E2	5
France	FR	E1	F	Slovenia	SI	E4	9
				Spain	ES	E2	E
Germany	DE	E0	D	Sweden	SE	E3	E
	or	E0	1	Switzerland	CH	E1	4
Gibraltar (United Kingdom)	GI	E1	A	Syrian Arab Republic	SY	E2	6
Greece	GR	E1	1	Tunisia	TN	E2	7
Hungary	HU	E0	B	Turkey	TR	E3	3
Iceland	IS	E2	A	Ukraine	UA	E4	6
Iraq	IQ	E1	B	United Kingdom	GB	E1	C
Ireland	IE	E3	2	Vatican City State	VA	E2	4
Israel	IL	E0	4	Yugoslavia	YU	E2	D

ECC	1	2	3	4	5	6	7	8	9	A	B	C	D	E	F
E 0	DE	DZ	AD	IL	IT	BE	RU	PS	AL	AT	HU	MT	DE		EG
E 1	GR	CY	SM	CH	JO	FI	LU	BG	DK	GI	IQ	GB	LY	RO	FR
E 2	MA	CZ	PL	VA	SK	SY	TN		LI	IS	MC	LT	YU	ES	NO
E 3		IE	TR	MK				NL	LV	LB		HR		SE	BY
E 4	MD	EE				UA		PT	SI						BA

Hex code for Variant 0 in Block 3 of Group type 1A, Bits b<sub>3</sub> to b<sub>0</sub>

Hex code for Variant 0 in Block 3 of Group type 1A, Bits b<sub>7</sub> to b<sub>4</sub>

<sup>2)</sup> The country codes and Extended country codes for countries outside the European Broadcasting Area are given in annex N.

**D.4 Coverage-area codes**Bits  $b_{11}$  to  $b_8$ :

I: (International)	The same programme is also transmitted in other countries.
N: (National)	The same programme is transmitted throughout the country.
S: (Supra-regional)	The same programme is transmitted throughout a large part of the country.
R1 . . . R12: (Regional)	The programme is available only in one location or region over one or more frequencies, and there exists no definition of its frontiers.
L: (Local)	Local programme transmitted via a single transmitter only during the whole transmitting time.

Hex-coding rules for bits  $b_{11}$  to  $b_8$ :**Table D.2**

<b>Area coverage code</b>	L	I	N	S	R1	R2	R3	R4	R5	R6	R7	R8	R9	R10	R11	R12
<b>HEX</b>	0	1	2	3	4	5	6	7	8	9	A	B	C	D	E	F

**D.5 Programme reference number**Bits  $b_7$  to  $b_0$ :*Decimal Numbers*                      *hex*

00    00      Not assigned

01 to 255                                      01 to FF      In order to clearly identify the different programme families, these codes should, in each country, be systematically assigned and generically linked to the programme families.



ANNEX E  
(normative)

## Character repertoires for Programme Service name, Programme Type Name, RadioText and alphanumeric Radio Paging

Three different alphanumeric character repertoires have been defined; they are reproduced in figures E.1 to E.3. Taken together, they permit the composition of texts indicating the name of the programme service and the constitution of radio-data messages or alphanumeric paging calls, and they satisfy all the known requirements of the EBU Active Members as regards radio-data transmission. The three code-tables each contain almost all the characters in the international reference version of ISO Publication 646<sup>1)</sup>. The same codes have been given to each of these characters in all three tables. Care has been taken in the design of the coding tables to ensure that it will be possible to satisfy all the requirements within large geographical areas with each repertoire, and it is therefore likely that some receivers will be equipped to display only the characters included in one of the three repertoires. Nonetheless, it will be necessary to provide information identifying the repertoire in use, in order to ensure that the display corresponds as closely as possible to the intentions of the broadcasting organisation when received on a receiver able to display characters from more than one repertoire.

The repertoire tables were designed by the EBU [12] with the view to cover the requirements satisfying the use of languages within the European Broadcasting Area. However a compromise had to be made to keep these tables small in size. As a consequence of this, one or the other character from a particular language was left out, because it is possible to substitute it by another. For example, in Greek, small theta ( $\theta$ ) should be substituted by capital theta ( $\Theta$ ).

In accordance with the practice in the videotex service, where more than one character repertoire is defined also, control codes have therefore been allocated to distinguish between the basic (G0) and two auxiliary (G1 and G2) code-tables. The selection of the required code-table is controlled in videotex by the transmission of the corresponding repertoire control characters; SI (0/15), SO (0/14) and LS2 (1/11 followed by 6/14)<sup>2)</sup>. In radio-data, it is controlled by the transmission of one of the following pairs of repertoire control characters:

- 0/15, 0/15: code-table of figure E.1
- 0/14, 0/14: code-table of figure E.2
- 1/11, 6/14: code-table of figure E.3

These characters do not occupy a space in the display, but have effect on the displayable characters having the same address, and on all characters having numerically higher addresses up to, but not including, the address of another repertoire control character. In default of a repertoire control character, the display coding taking effect at address 0 shall be assumed to be in accordance with figure E.1.

---

<sup>1)</sup> Including the figures 0 to 9 and punctuation; nonetheless, in certain cases, codes have been re-allocated to characters taken from the EBU repertoires, in accordance with the provision of ISO Publication 646.

<sup>2)</sup> The notation A/B is used to designate the character appearing on line B of column A in the table.

For example, the name of the second Greek programme service could be transmitted in type 0 groups as follows:

Characters:                 ΔE     YT     EP     O  
 Text segment address :         0     1     2     3

Text segment address	Character codes	Characters	Effect
0	0/14, 0/14	SO, SO	Selection of code-table (figure E.2)
0	15/14, 4/5	Δ, E	First two letters
1	5/9, 5/4	Y, T	Second two letters
2	4/5, 5/0	E, P	Third two letters
3	4/15, 2/0	O,	Last letter and space

					Additional displayable characters for:														
					Displayable characters from the code table of ISO Norm 646:							EBU common-core (7 languages)							Complete Latin-based repertoire (25 languages)
b7	b6	b5	b4		2	3	4	5	6	7	8	9	10	11	12	13	14	15	
0	0	0	0	0	0	0	@	P		p	ā	â	ã	ä	á	â	ã	ä	
0	0	0	1	1	1	!	A	Q	a	q	ā	ā	α	¹	À	Ä	Å	ä	
0	0	1	0	2	2	"	B	R	b	r	é	ê	©	²	É	Ê	Æ	æ	
0	0	1	1	3	3	#	C	S	c	s	è	ë	‰	³	È	Ë	Œ	œ	
0	1	0	0	4	4	¤	D	T	d	t	í	î	č	±	Í	Î	ÿ	ŵ	
0	1	0	1	5	5	%	E	U	e	u	ì	ï	ě	ı	Ì	Ï	Ý	ý	
0	1	1	0	6	6	&	F	V	f	v	ó	ô	ň	ń	Ó	Ô	Õ	õ	
0	1	1	1	7	7	'	G	W	g	w	ø	ö	ő	ú	Ø	Ö	ø	ø	
1	0	0	0	8	8	(	H	X	h	x	ú	û	π	μ	Ú	Û	Þ	þ	
1	0	0	1	9	9	)	I	Y	i	y	û	ü	£	¢	Ü	Û	Ŧ	ŧ	
1	0	1	0	10	10	*	:	J	Z	j	z	ñ	ñ	£	÷	Ř	ř	Ř	ř
1	0	1	1	11	11	+	;	K	[ <sup>(1)</sup>	k	{ <sup>(1)</sup>	ç	ç	§	°	Č	č	Č	č
1	1	0	0	12	12	,	<	L	\	l		š	š	←	¼	Š	š	Š	š
1	1	0	1	13	13	-	=	M	] <sup>(1)</sup>	m	{ <sup>(1)</sup>	ß	ğ	↑	½	Ž	ž	Ž	ž
1	1	1	0	14	14	.	>	N		n		ı	ı	→	¾	Đ	đ	Đ	đ
1	1	1	1	15	15	/	?	O		o		ıı	ıı	↓	§	Ł	ł	Ł	ł

Figure E.1 - Code table for 218 displayable characters forming the complete EBU Latin-based repertoire. The characters shown in positions marked (1) in the table are those of the "international reference version" of ISO Publication 646 that do not appear in the complete Latin-based repertoire given in Appendix 2 of EBU document Tech. 3232 (2nd edition, 1982). Attention is drawn to the fact that low cost receivers may be able to display only the limited character set in Column 2 lines 0, 7, 12, 13, 14 and 15; Column 3 lines 0 to 9; Column 4 lines 1 to 15; Column 5 lines 0 to 10.

The code-tables of figures E.1, E.2 and E.3 have also been adopted for the "service identification system" defined in the specifications of the MAC/packet family of systems for satellite broadcasting in Europe (see [13] in annex Q).

				Latin (ISO Publication 646)						EBU common-core		Part of the EBU complete Latin-based repertoire		Cyrillic etc.		Greek	
b3	b2	b1	b0	2	3	4	5	6	7	8	9	10	11	12	13	14	15
0	0	0	0	0	0	0	0	0	0	1	1	1	1	1	1	1	1
0	0	0	1	1	1	1	1	0	0	0	0	0	0	1	1	1	1
0	0	1	0	0	1	1	1	0	0	1	1	1	1	0	0	1	1
0	0	1	1	0	1	0	1	0	1	0	1	0	1	0	1	0	1
0	1	0	0	0	0	0	0	0	0	1	1	1	1	1	1	1	1
0	1	0	1	1	1	1	1	0	0	0	0	0	0	1	1	1	1
0	1	1	0	0	0	0	0	0	0	1	1	1	1	1	1	1	1
0	1	1	1	0	0	0	0	0	0	1	1	1	1	1	1	1	1
1	0	0	0	0	0	0	0	0	0	1	1	1	1	1	1	1	1
1	0	0	1	0	0	0	0	0	0	1	1	1	1	1	1	1	1
1	0	1	0	0	0	0	0	0	0	1	1	1	1	1	1	1	1
1	0	1	1	0	0	0	0	0	0	1	1	1	1	1	1	1	1
1	1	0	0	0	0	0	0	0	0	1	1	1	1	1	1	1	1
1	1	0	1	0	0	0	0	0	0	1	1	1	1	1	1	1	1
1	1	1	0	0	0	0	0	0	0	1	1	1	1	1	1	1	1
1	1	1	1	0	0	0	0	0	0	1	1	1	1	1	1	1	1
1	1	1	1	0	0	0	0	0	0	1	1	1	1	1	1	1	1
1	1	1	1	1	0	0	0	0	0	1	1	1	1	1	1	1	1

Figure E.2 - Code table for a combined repertoire consisting of the EBU Common-core, Greek and upper-case Cyrillic alphabets (together with certain characters from the EBU complete Latin based repertoire, and the lower-case characters required for texts in Serbo-Croat, Slovenian, Slovakian, Hungarian and Romanian). The characters shown in positions marked (1) in the table are those of the "international reference version" of ISO Publication 646 that do not appear in the "complete Latin-based repertoire" given in Appendix 2 of EBU document Tech. 3232 (2nd edition, 1982) [12].

				Latin (ISO Publication 646)				Arabic		Hebrew		Cyrillic etc.		Greek				
b3	b2	b1	b0	2	3	4	5	6	7	8	9	10	11	12	13	14	15	
0	0	0	0	0	0	@	P		p	ا	ب	כ	ל	Є	ý	Π	π	
0	0	0	1	1	!	A	Q	a	q	آ	ق	א	ק	Я	Љ	α	Ω	
0	0	1	0	2	"	B	R	b	r	ة	ر	ב	ר	Б	д	β	ρ	
0	0	1	1	3	#	C	S	c	s	ة	س	ט	ס	Ч	Ш	ψ	σ	
0	1	0	0	4	Œ	D	T	d	t	د	ت	ד	ת	Д	Ц	δ	τ	
0	1	0	1	5	%	E	U	e	u	و	ك	ו	כ	Э	Ю	ε	ξ	
0	1	1	0	6	&	F	V	f	v	ف	ل	פ	ל	Ф	Щ	φ	θ	
0	1	1	1	7	'	G	W	g	w	ج	و	ג	ו	Г	Ь	γ	Γ	
1	0	0	0	8	(	H	X	h	x	ح	خ	ח	כ	Ц	ץ	η	Ξ	
1	0	0	1	9	)	I	Y	i	y	ج	ي	י	י	И	Й	ι	υ	
1	0	1	0	10	*	J	Z	j	z	ج	ز	י	ז	Ж	З	Σ	ζ	
1	0	1	1	11	+	;	K	[ <sup>(1)</sup>	k	{ <sup>(1)</sup>	ك	;	י	°	К	č	χ	ς
1	1	0	0	12	,	<	L	\	l	ش	←	ל	¼	Л	š	λ	Λ	
1	1	0	1	13	-	=	M	] <sup>(1)</sup>	m	م	↑	מ	½	М	ž	μ	Ψ	
1	1	1	0	14	.	>	N		n	ن	→	נ	¾	Н	đ	ν	Δ	
1	1	1	1	15	/	?	O		o	و	↓	ו	§	Ы	é	ω		

Figure E.3 - Code table for a combined repertoire consisting of the ISO Publication 646 Latin-based alphabet, Greek, upper-case Cyrillic and Hebrew and Arabic. The characters shown in positions marked <sup>(1)</sup> in the table are those of the "international reference version" of ISO Publication 646 that do not appear in the "complete Latin-based repertoire" given in Appendix 2 of EBU document Tech. 3232 (2nd edition, 1982) [12].

**ANNEX F**  
**(normative)**

**Programme Type codes**

**Note:** Different PTY codes apply to the USA [15].

**Table F.1**

<b>Number</b>	<b>Code</b>	<b>Programme type</b>	<b>8-character display<sup>1)</sup></b>	<b>16-character display<sup>1)</sup></b>
0	0	No programme type or undefined	None	None
1	1	News	News	News
2	10	Current Affairs	Affairs	Current Affairs
3	11	Information	Info	Information
4	100	Sport	Sport	Sport
5	101	Education	Educate	Education
6	110	Drama	Drama	Drama
7	111	Culture	Culture	Cultures
8	1000	Science	Science	Science
9	1001	Varied	Varied	Varied Speech
10	1010	Pop Music	Pop M	Pop Music
11	1011	Rock Music	Rock M	Rock Music
12	1100	Easy Listening Music <sup>2)</sup>	Easy M	Easy Listening
13	1101	Light classical	Light M	Light Classics M
14	1110	Serious classical	Classics	Serious Classics
15	1111	Other Music	Other M	Other Music

Table F.1 is continued overleaf

<sup>1)</sup> These short terms are recommended for the 8- or 16-character display of the radio in English. Other language versions are available from the EBU and the RDS Forum on the Internet World Wide Web site at URL: <http://www.rds.org.uk/>.

<sup>2)</sup> In earlier versions of this standard, the term used was "M.O.R. Music". Easy Listening is a more frequently used equivalent.

Table F.1 continued from previous page:

Number	Code	Programme type	8-character display <sup>1)</sup>	16-character display <sup>1)</sup>
16	10000	Weather	Weather	Weather & Metr
17	10001	Finance	Finance	Finance
18	10010	Children's programmes	Children	Children's Progs
19	10011	Social Affairs	Social	Social Affairs
20	10100	Religion	Religion	Religion
21	10101	Phone In	Phone In	Phone In
22	10110	Travel	Travel	Travel & Touring
23	10111	Leisure	Leisure	Leisure & Hobby
24	11000	Jazz Music	Jazz	Jazz Music
25	11001	Country Music	Country	Country Music
26	11010	National Music	Nation M	National Music
27	11011	Oldies Music	Oldies	Oldies Music
28	11100	Folk Music	Folk M	Folk Music
29	11101	Documentary	Document	Documentary
30	11110	Alarm Test	TEST	Alarm Test
31	11111	Alarm	Alarm !	Alarm - Alarm !

<sup>1</sup> These short terms are recommended for the 8- or 16-character display of the radio in English. Other language versions are available from the EBU and the RDS Forum on the Internet World Wide Web site at URL: <http://www.rds.org.uk/>.

**Definition of the terms used to denote Programme Type**

1	<b>News</b>	Short accounts of facts, events and publicly expressed views, reportage and actuality.
2	<b>Current affairs</b>	Topical programme expanding or enlarging upon the news, generally in different presentation style or concept, including debate, or analysis.
3	<b>Information</b>	Programme the purpose of which is to impart advice in the widest sense.
4	<b>Sport</b>	Programme concerned with any aspect of sport.
5	<b>Education</b>	Programme intended primarily to educate, of which the formal element is fundamental.
6	<b>Drama</b>	All radio plays and serials.
7	<b>Culture</b>	Programmes concerned with any aspect of national or regional culture, including language, theatre, etc.
8	<b>Science</b>	Programmes about the natural sciences and technology.
9	<b>Varied</b>	Used for mainly speech-based programmes usually of light-entertainment nature, not covered by other categories. Examples include: quizzes, panel games, personality interviews.
10	<b>Pop</b>	Commercial music, which would generally be considered to be of current popular appeal, often featuring in current or recent record sales charts.
11	<b>Rock</b>	Contemporary modern music, usually written and performed by young musicians.
12	<b>Easy Listening</b> <sup>2)</sup>	Current contemporary music considered to be "easy-listening", as opposed to Pop, Rock or Classical, or one of the specialized music styles, Jazz, Folk or Country. Music in this category is often but not always, vocal, and usually of short duration.
13	<b>Light classics</b>	Classical Musical for general, rather than specialist appreciation. Examples of music in this category are instrumental music, and vocal or choral works.
14	<b>Serious classics</b>	Performances of major orchestral works, symphonies, chamber music etc., and including Grand Opera.
15	<b>Other music</b>	Musical styles not fitting into any of the other categories. Particularly used for specialist music of which Rhythm & Blues and Reggae are examples.
16	<b>Weather</b>	Weather reports and forecasts and Meteorological information.

---

<sup>2)</sup> In earlier versions of this standard, the term used was "M.O.R. Music". Easy Listening is a more frequently used equivalent.

17	<b>Finance</b>	Stock Market reports, commerce, trading etc.
18	<b>Children's programmes</b>	For programmes targeted at a young audience, primarily for entertainment and interest, rather than where the objective is to educate.
19	<b>Social Affairs</b>	Programmes about people and things that influence them individually or in groups. Includes: sociology, history, geography, psychology and society.
20	<b>Religion</b>	Any aspect of beliefs and faiths, involving a God or Gods, the nature of existence and ethics.
21	<b>Phone In</b>	Involving members of the public expressing their views either by phone or at a public forum.
22	<b>Travel</b>	Features and programmes concerned with travel to near and far destinations, package tours and travel ideas and opportunities. <b>Not for use for Announcements about problems, delays, or roadworks affecting immediate travel where TP/TA shall be used.</b>
23	<b>Leisure</b>	Programmes concerned with recreational activities in which the listener might participate. Examples include, Gardening, Fishing, Antique collecting, Cooking, Food & Wine etc.
24	<b>Jazz Music</b>	Polyphonic, syncopated music characterised by improvisation.
25	<b>Country Music</b>	Songs which originate from, or continue the musical tradition of the American Southern States. Characterised by a straightforward melody and narrative story line.
26	<b>National Music</b>	Current Popular Music of the Nation or Region in that country's language, as opposed to International 'Pop' which is usually US or UK inspired and in English.
27	<b>Oldies Music</b>	Music from the so-called "golden age" of popular music.
28	<b>Folk Music</b>	Music which has its roots in the musical culture of a particular nation, usually played on acoustic instruments. The narrative or story may be based on historical events or people.
29	<b>Documentary</b>	Programme concerned with factual matters, presented in an investigative style.
30	<b>Alarm Test</b>	Broadcast when testing emergency broadcast equipment or receivers. Not intended for searching or dynamic switching for consumer receivers.. Receivers may, if desired, display "TEST" or "Alarm Test".
31	<b>Alarm</b>	Emergency announcement made under exceptional circumstances to give warning of events causing danger of a general nature. Not to be used for searching - only used in a receiver for dynamic switching.

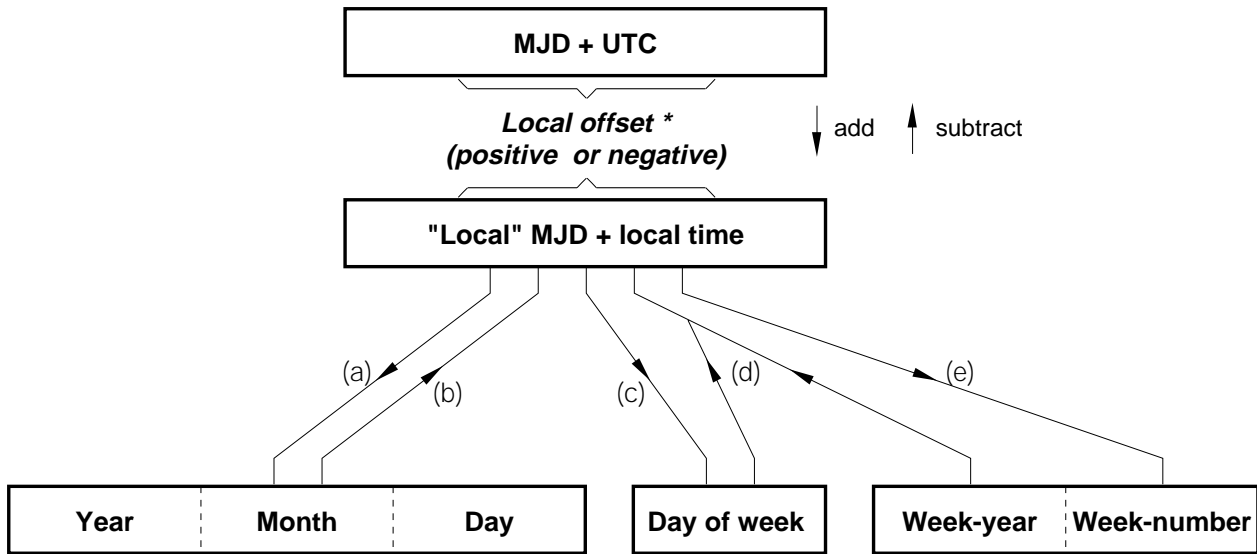
**Note:** These definitions can slightly differ between various language versions.



**ANNEX G**  
**(informative)**

**Conversion between time and date conventions**

The types of conversion which may be required are summarised in the diagram below.



\* Offsets are positive for longitudes east of Greenwich and negative for longitudes west of Greenwich.

*Figure G.1 - Conversion routes between Modified Julian Date (MJD) and Coordinated Universal Time (UTC)*

The conversion between MJD + UTC and the "local" MJD + local time is simply a matter of adding or subtracting the local offset. This process may, of course, involve a "carry" or "borrow" from the UTC affecting the MJD. The other five conversion routes shown on the diagram are detailed in the formulas below.

**Table G.1 - Symbols used**

MJD	Modified Julian Day
UTC	Coordinated Universal Time
Y	Year from 1900 (e.g. for 2003, Y = 103)
M	Month from January (= 1) to December (= 12)
D	Day of month from 1 to 31
WY	"Week number" Year from 1900
WN	Week number according to ISO 2015
WD	Day of week from Monday (= 1) to Sunday (= 7)
K, L, M', W, Y'	Intermediate variables
x	Multiplication
int	Integer part, ignoring remainder
mod 7	Remainder (0-6) after dividing integer by 7

a) **To find Y, M, D from MJD**

$$Y' = \text{int} [ (\text{MJD} - 15\,078,2) / 365,25 ]$$

$$M' = \text{int} \{ [ \text{MJD} - 14\,956,1 - \text{int} (Y' \times 365,25) ] / 30,6001 \}$$

$$D = \text{MJD} - 14\,956 - \text{int} (Y' \times 365,25) - \text{int} (M' \times 30,6001)$$

If  $M' = 14$  or  $M' = 15$ , then  $K = 1$ ; else  $K = 0$

$$Y = Y' + K$$

$$M = M' - 1 - K \times 12$$

b) **To find MJD from Y, M, D**

If  $M = 1$  or  $M = 2$ , then  $L = 1$ ; else  $L = 0$

$$\text{MJD} = 14\,956 + D + \text{int} [ (Y - L) \times 365,25 ] + \text{int} [ (M + 1 + L \times 12) \times 30,6001 ]$$

c) **To find WD from MJD**

$$\text{WD} = [ (\text{MJD} + 2) \bmod 7 ] + 1$$

d) **To find MJD from WY, WN, WD**

$$\text{MJD} = 15\,012 + \text{WD} + 7 \times \{ \text{WN} + \text{int} [ (\text{WY} \times 1\,461 / 28) + 0,41 ] \}$$

e) **To find WY, WN from MJD**

$$W = \text{int} [ (\text{MJD} / 7) - 2\,144,64 ]$$

$$\text{WY} = \text{int} [ (W \times 28 / 1\,461) - 0,0079 ]$$

$$\text{WN} = W - \text{int} [ (\text{WY} \times 1\,461 / 28) + 0,41 ]$$

**Example:**

$$\text{MJD} = 45\,218$$

$$Y = (19)82$$

$$M = 9 \text{ (September)}$$

$$D = 6$$

$$W = 4\,315$$

$$\text{WY} = (19)82$$

$$\text{WN} = 36$$

$$\text{WD} = 1 \text{ (Monday)}$$

**Note:** These formulas are applicable between the inclusive dates: 1st March 1900 to 28th February 2100.

**ANNEX H**  
**(informative)**

## Specification of the ARI (Autofahrer-Rundfunk-Information) System

### H.1 Frequency of the subcarrier

H.1.1 Nominal value: 57 kHz

H.1.2 Tolerances:

Mono:  $\pm 6$  Hz

Stereo: The phase relationship between the pilot tone and the subcarrier is such that when both sine waves are crossing the time axis simultaneously, the slopes have to be the same. Since the tolerance of the pilot tone can be  $\pm 2$  Hz, the frequency of the subcarrier can deviate by  $\pm 6$  Hz.

### H.2 Frequency deviation

$\pm 3.5$  kHz, if used simultaneously with RDS on the same transmitter

### H.3 Modulation

AM

### H.4 Traffic announcement identification

H.4.1 Modulation frequency: 125 Hz (57 kHz divided by 456)

H.4.2 Tolerance: derived from 57 kHz subcarrier

H.4.3 Modulation depth:  $m = 30\%$

### H.5 Traffic area identification

H.5.1 Modulation frequencies: derived from the subcarrier frequency

**Table H.1**

Traffic area	Frequency (Hz)	Frequency division ratio
A	23.75	2400
B	28.2738	2016
C	34.9265	1632
D	39.5833	1440
E	45.6731	1248
F	53.9773	1056

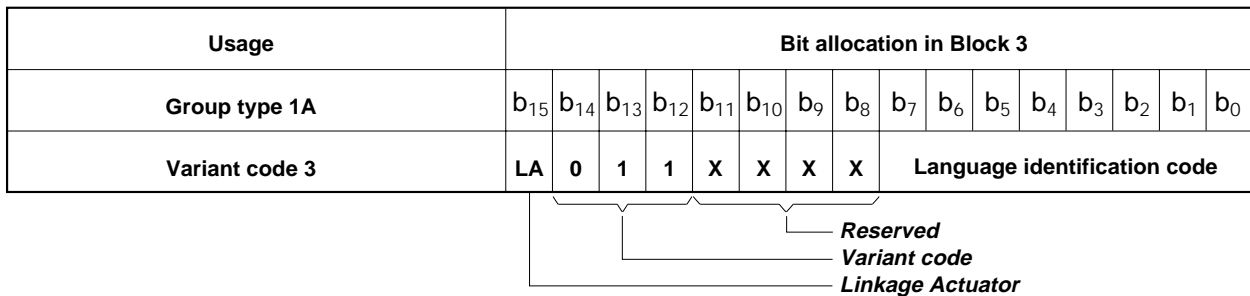
H.5.2 Modulation depth:  $m = 60\%$

**ANNEX J**  
**(normative)**

## Language identification

To enable a broadcaster to indicate the spoken language he is currently transmitting, the 8-bit language identification codes in Table J.1 <sup>1)</sup> shall be used.

In Group 1A, Variant 3, Block 3 the Language identification code is allocated according to figure J.1. When implemented, this variant shall be transmitted at least once every two seconds.



*Figure J.1*

**Table J.1**

*a) European languages written in latin-based alphabets:*

<u>Code</u> (Hexadecimal)	<u>Language</u>	<u>Code</u> (Hexadecimal)	<u>Language</u>
00	Unkown/not applicable	20	Polish
01	Albanian	21	Portuguese
02	Breton	22	Romanian
03	Catalan	23	Romansh
04	Croatian	24	Serbian
05	Welsh	25	Slovak
06	Czech	26	Slovene
07	Danish	27	Finnish
08	German	28	Swedish
09	English	29	Turkish
0A	Spanish	2A	Flemish
0B	Esperanto	2B	Walloon
0C	Estonian	2C	
0D	Basque	2D	
0E	Faroese	2E	
0F	French	2F	
10	Frisian	30	)
11	Irish	31	)
12	Gaelic	32	)_ Reserved for
13	Galician	33	) national assignment
14	Icelandic	34	)
15	Italian	35	)

<sup>1)</sup> This Table is in accordance with ETS 300 250: "Specification of the D2-MAC/packet system" EBU/ETSI-JTC European Telecommunication Standard, 1993.

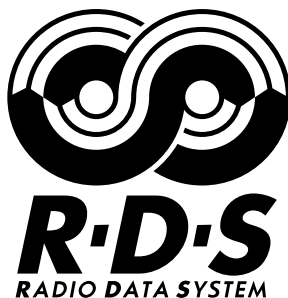
<u>Code</u> (Hexadecimal)	<u>Language</u>	<u>Code</u> (Hexadecimal)	<u>Language</u>
16	Lappish	36	)
17	Latin	37	)
18	Latvian	38	)
19	Luxembourgian	39	)
1A	Lithuanian	3A	) _ Reserved for
1B	Hungarian	3B	) national assignment
1C	Maltese	3C	)
1D	Dutch	3D	)
1E	Norwegian	3E	)
1F	Occitan	3F	)

*b) Other languages:*

<u>Code</u> (Hexadecimal)	<u>Language</u>	<u>Code</u> (Hexadecimal)	<u>Language</u>
7F	Amharic	5F	Marathi
7E	Arabic	5E	Ndebele
7D	Armenian	5D	Nepali
7C	Assamese	5C	Oriya
7B	Azerbaijani	5B	Papamieto
7A	Bambora	5A	Persian
79	Belorussian	59	Punjabi
78	Bengali	58	Pushtu
77	Bulgarian	57	Quechua
76	Burmese	56	Russian
75	Chinese	55	Ruthenian
74	Churash	54	Serbo-Croat
73	Dari	53	Shona
72	Fulani	52	Sinhalese
71	Georgian	51	Somali
70	Greek	50	Sranan Tongo
6F	Gujurati	4F	Swahili
6E	Gurani	4E	Tadzhik
6D	Hausa	4D	Tamil
6C	Hebrew	4C	Tatar
6B	Hindi	4B	Telugu
6A	Indonesian	4A	Thai
69	Japanese	49	Ukrainian
68	Kannada	48	Urdu
67	Kazakh	47	Uzbek
66	Khmer	46	Vietnamese
65	Korean	45	Zulu
64	Laotian	44	
63	Macedonian	43	
62	Malagasay	42	
61	Malaysian	41	
60	Moldavian	40	Background sound/ Clean feed

ANNEX K  
(informative)

RDS logo <sup>1)</sup>



**Note:** The wording "RADIO DATA SYSTEM" may be omitted.

When EON is implemented, the following logos may be used



<sup>1)</sup> © European Broadcasting Union and British Broadcasting Corporation 1992 and 1996.

® Trademark National Association of Broadcasters (U.S. only). Trademark registered on behalf of the National Radio Systems Committee.

ANNEX L  
(informative)

## Open data registration

### L.1 All countries except the USA

Every data application using the Open Data Applications (ODA) feature (see 3.1.4) must be transmitted together with an Application Identification (AID) number (see 3.1.5.4). The AID number, for each ODA *outside the United States*, is allocated by the RDS Registrations Office at the address shown in the following Registration Form. Forms must be completed fully (every question must be answered - the RDS Registrations Office will advise, if difficulty is experienced) and sent to the RDS Registrations Office, together with the nominal fee of CHF 500, which is payable in advance. Subject to satisfactory completion, an AID number will be allocated and a copy of the Form will be returned to the applicant.

Transmissions carrying an AID *must* adhere fully to the details, specifications and references of the relevant registration. (Any subsequent updates, that do not *change* the fundamental requirements for the transmission of that ODA, may allow continued use of the same AID, but advice should be sought from the RDS Registrations Office.)

Details will be kept in the EBU/RDS Forum ODA Directory, which will be published, from time to time, and an up-to-date version of the Directory will be maintained on the RDS Forum Web site at URL: <http://www.rds.org.uk/>.

*Users of an AID must satisfy themselves as to the validity of using it and the accuracy of all related information and must accept all due consequence. The RDS Registrations Office is not liable for any incidental, special or consequential damages arising out of the use or inability to use an AID, whether in transmission or reception equipment.*

**Note:** AID codes are Internationally allocated and recognized.

Form overleaf...

### RDS Open Data Applications - Registration Form

*This Form will be published in full, except last two answers, if specifically not permitted.*

To:	RDS Registrations Office European Broadcasting Union / Union Européenne de Radio-Télévision Ancienne Route 17A Case postale 67 CH-1218 Grand Saconnex GE SWITZERLAND - SUISSE	Application Date:
-----	---	-------------------

<i>Question</i>	<i>Information</i>	<i>Comment</i>
Applicants Name:		Title/Name of contact
Organisation:		Company Name
Organisation Address:		Street 1
		Street 2
		Town/City
		Area/County
		Postal Code
		Country
Application Name:		5 or 6 words, maximum
Application Description:	<p><i>Please use additional pages if desired.</i></p>	Give as much detail as possible.
Open Data mode: (see 3.1.5.4)		Choose one mode, only
ODA details, specifications and references:	<p><b>Tick, if publication not permitted</b> [ <input type="checkbox"/> ]</p> <p><i>Please attach additional pages.</i></p>	Give <i>all</i> details, proprietary documents and references.
Capacity requirement for both the ODA and AID groups:	<p><b>Tick, if publication not permitted</b> [ <input type="checkbox"/> ]</p> <p>a) ..... ODA groups/second            b) ..... type 3A groups/minute</p> <p><i>Please use additional pages if desired.</i></p>	Indicate: ODA groups/second <i>and</i> type 3A groups/minute. Describe any constraints.



- L.2** Data application designers need to consider a number of questions regarding their application and the RDS system interface, so that the RDS bearer is kept in conformity with best implementation practice. The following questions shall be carefully considered (the RDS Registrations Office will advise, if difficulty is experienced) and the following Check List must be completed and attached to all applications.

<p><b>RDS Open Data Applications - Check List</b></p> <p><i>This Check List will not be published.</i></p>
--

<i>Question</i>	<i>Considered</i>	<i>Notes</i>
Does the application behave correctly when not all RDS groups are received?	Tick, if considered [ ]	Necessary for mobile RDS applications
Does the application provide the means to identify the Service Provider?	Tick, if considered [ ]	
Does the application allow for future proofing, by upgrading?	Tick, if considered [ ]	
Does the application require sub-sets of associated applications?	Tick, if considered [ ]	Use of variant codes and/or other groups (eg clock-time)
Does the application include provision to reference other transmissions carrying the same service?	Tick, if considered [ ]	PI and AF
Does the application include an additional layer of error protection?	Tick, if considered [ ]	RDS already has considerable capability
Does the application include encryption?	Tick, if considered [ ]	
Does the application include data compression?	Tick, if considered [ ]	
Have you defined the capacity requirements for the application?	Tick, if considered [ ]	
Have you defined the capacity requirements for the AID under normal conditions?	Tick, if considered [ ]	
Is your application able to assume and lose the use of a group type?	Tick, if considered [ ]	
If so, have you defined the AID signaling when use of a channel is assumed?	Tick, if considered [ ]	
If so, have you defined the AID signaling when use of the channel ceases?	Tick, if considered [ ]	

**ANNEX M**  
**(normative)**

## Coding of Radio Paging (RP)

### M.1. Introduction

The following radio paging systems described in this annex:

- The Basic Paging Protocol.
- The Enhanced Paging Protocol.

While the basic protocol offers all the basic features necessary for a national service, the enhanced paging offers a great number of improvements such as:

- An easy-to-implement international service.
- Multi operator and/or multi area paging services.

More than these features, the enhanced paging offers a dramatically increased battery life time.

The message labelling has also been improved: a message call counter and a repetition flag have been added for a better reliability of the paging service.

The following abbreviations are used in this annex:

CCF	<b>C</b> urrent <b>C</b> arrier <b>F</b> requency
CS	<b>C</b> ycle <b>S</b> election
CT	<b>C</b> lock <b>T</b> ime
ECC	<b>E</b> xtended <b>C</b> ountry <b>C</b> ode
EPP	<b>E</b> nhanced <b>P</b> aging <b>P</b> rotocol
IT	<b>I</b> nterval <b>N</b> umbering
NI	<b>N</b> ational <b>I</b> nternational
OPC	<b>O</b> perator <b>C</b> ode
PAC	<b>P</b> aging <b>A</b> rea <b>C</b> ode
PIN	<b>P</b> rogramme <b>I</b> tem <b>N</b> umber
SI	<b>S</b> ystem <b>I</b> nformation
STY	<b>S</b> ub <b>T</b> ype group
VAS	<b>V</b> alue <b>A</b> dded <b>S</b> ervices

### M.2 Basic paging protocol

#### M.2.1 Coding characteristics for paging

##### M.2.1.1 General

M.2.1.1.1 Group type 4A<sup>1)</sup>, clock-time and date (CT), is transmitted at the start of every minute.

---

<sup>1)</sup> The transmitted CT (see 3.1.5.6 and 3.2.3) must be accurate, otherwise the CT codes must all be set to zero.

M.2.1.1.2 Group type 1A, programme-item number (PIN), is transmitted at least once per second. The five last bits of its block 2 are used for radio paging codes as follows:

- bits B<sub>4</sub>-B<sub>2</sub>: 3-bit transmitter network group designation
- bits B<sub>1</sub>-B<sub>0</sub>: battery saving interval synchronization and identification.

M.2.1.1.3 Group type 7A is used to convey the paging information.

M.2.1.2 Transmitter network group designation

The first three bits of the five last bits of block 2 of Group type 1A (radio paging codes, as defined in M.2.1.1.2) are used to designate the transmitter network to a group of pager group codes. Pagers not belonging to the designated group codes must not lock to the transmitter.

The group designations are as follows:

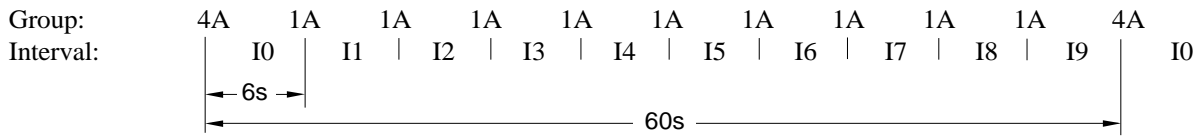
**Table M.1**

B <sub>4</sub>	B <sub>3</sub>	B <sub>2</sub>	Group codes	Number of group codes
0	0	0	No basic paging on channel	
0	0	1	00-99	100
0	1	0	00-39	40
0	1	1	40-99	60
1	0	0	40-69	30
1	0	1	70-99	30
1	1	0	00-19	20
1	1	1	20-39	20

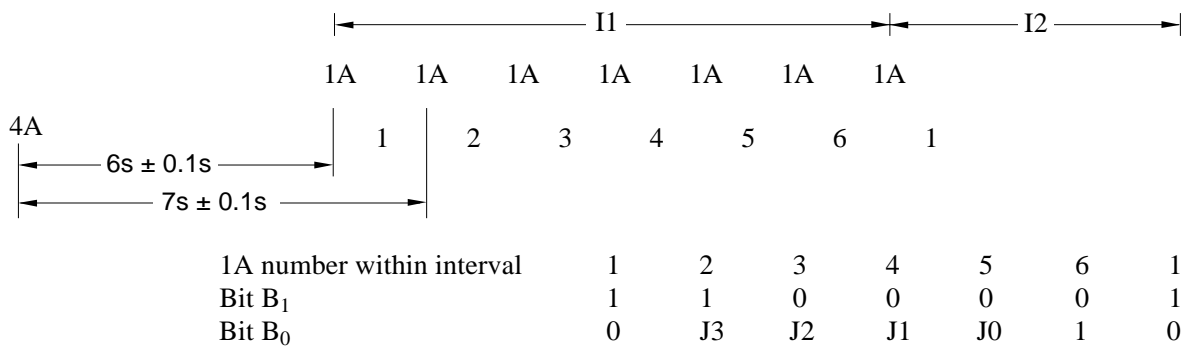
The transmitter network group designation makes it possible to distribute the paging calls over one to four networks, e.g. several networks during day-time and a single network during the night-time. The number of group codes in each network is shown below for the different number of networks in operation.

Number of transmitter networks	Number of group codes respectively
1	100
2	40/60
3	40/30/30
4	20/20/30/30

M.2.1.3 Transmission sequence (battery saving)



Timing within intervals:



For battery saving purposes, each minute is divided into ten intervals of equal length (I0 ... I9). Each paging receiver belongs to the interval corresponding to the last digit of its individual code (digit 0 belongs to I0 and so on). Paging calls are placed within the interval corresponding to the last digit or within the two intervals following that interval.

To enable the receivers to synchronize to the correct interval, the last two bits, B<sub>1</sub> and B<sub>0</sub>, of the five last bits of block 2 of Group type 1A are used. The start of an interval is indicated by the transmission of two 1A groups with B<sub>1</sub> = 1 (in interval I0 the first 1A group is replaced by 4A). The first 1A (or 4A for I0) group is transmitted at the start interval and the other one second later. Within an interval at least three more 1A groups are transmitted (bit B<sub>1</sub> = 0). Bit B<sub>0</sub> of 1A groups number 2, 3, 4 and 5 is used to sequentially transmit the four bits J3, J2, J1, J0 of the BCD-coded interval number 0 ... 9. Excessive 1A groups within an interval have their bit B<sub>0</sub> = 1.

For the paging receiver, one minute is the interval between two consecutive 4A groups. This minute contains either 685 or 686 RDS groups. For the paging receiver, one second is the interval between two consecutive 1A groups. This second contains 11 or 12 RDS groups. Consequently, for a paging receiver, the duration of the relevant time intervals is equal to one second or one minute plus or minus the length of one RDS group.

The receiver may enter battery saving mode after start of its interval:

- if at least 10 groups differing from group type 7A have been received;
- if a paging call, belonging to an interval different from the receivers' own and the two preceding intervals, has been received;
- after the start of the third interval after its own interval.

The receiver shall be considered to have lost its interval synchronization:

- if there is a paging call within the receivers' own interval to a receiver not belonging to the interval or the two preceding intervals, or
- if an error-free reception of the interval marking (J3, J2, J1, J0) is not the one expected.

Checking of J3, J2, J1, J0 is not necessary each time the receiver leaves battery saving mode.

#### *M.2.1.4 Locking to a channel*

*M.2.1.4.1* The receiver searches for one of the offset words A ... D. When this is found, it searches for the next expected offset word at a distance of:  $n$  times 26 bits,  $n = 1 \dots 6$ . When two offset words have been found, the receiver is synchronized to both block and group. After block and group synchronization, the receiver must find the correct country code (within the PI-code) and group designation of the transmitter network.

*M.2.1.4.2* When scanning the frequency band, block and group synchronization must occur within 1 sec. and correct country code and group designation must be found within 2 sec. after block and group synchronization. Otherwise the receiver must leave the channel.

*M.2.1.4.3* When locking to the channel after battery saving mode, block and group synchronization and the reception of correct country code and transmitter group designation must occur within 15 sec. Otherwise the receiver shall leave the channel.

*M.2.1.4.4* For quick scanning, the information about alternative frequencies in group type 0A may be used.

#### *M.2.1.5 Loss of synchronization*

*M.2.1.5.1* Clockslip may be detected by using the fact that the programme identification (PI) code is rarely altered. By calculating the syndrome for this block and the block shifted plus/minus one bit, it is possible to see whether clockslip has occurred. If the information becomes correct after a one bit shift, it is considered that a clockslip has occurred, all received data is shifted accordingly and the receiver is correctly synchronized.

*M.2.1.5.2* When 43 out of the last received 45 blocks have a syndrome different from zero (for the respective offset words), the channel locking is lost and the receiver shall scan the band for a better channel.

*M.2.1.5.3* If the group code of the receiver is no longer in accordance with the transmitter group designation code, the receiver shall leave the channel and scan the band for a new channel.

M.2.1.6 Group type 7A message format

M.2.1.6.1 General

Group type 7A:

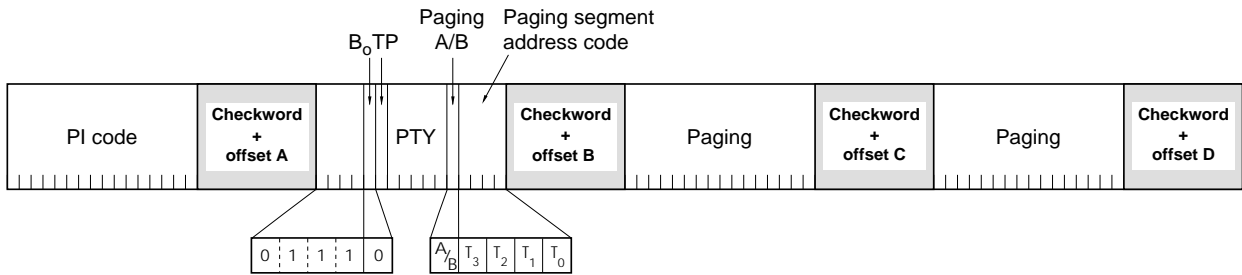


Figure M.1 - Group type 7A message format for Radio Paging

Block 1 comprises the PI code found as the first block of every RDS group type. Blocks 3 and 4 are used for paging information.

In block 2 the five last bits are used to control the paging information. Bit AB, paging A/B, is used as a flag which changes its value between different paging calls thus indicating the start of a new or repeated call. Bits T<sub>3</sub>-T<sub>0</sub> are used as a 4-bit paging segment address code and to indicate the type of additional message that follows:

Table M.2

T <sub>3</sub>	T <sub>2</sub>	T <sub>1</sub>	T <sub>0</sub>	Message contents:
0	0	0	0	No additional message
0	0	0	1	Part of functions message
0	0	1	X	10 digit numeric message or part of functions message
0	1	X	X	18 digit numeric message or 15 digit numeric message in international paging
1	X	X	X	Alphanumeric message
X indicates state 0 or 1				

M.2.1.6.2 Paging without additional message

Group type 7A:

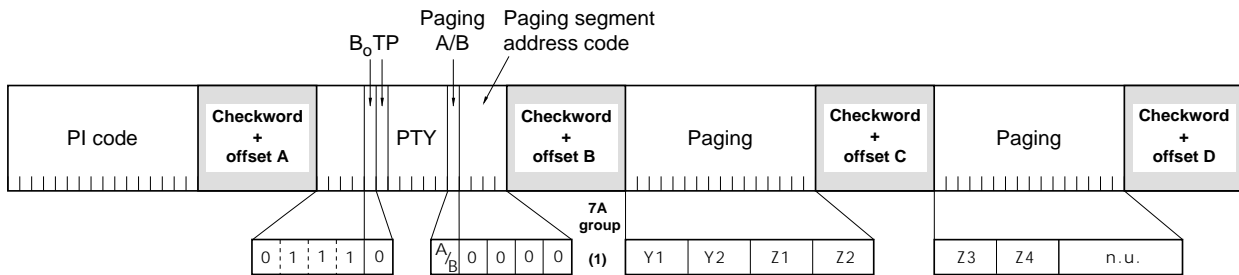


Figure M.2 - Group type 7A paging without additional message

Y1Y2 denotes the group code  
 Z1...Z4 denotes the individual code within the group  
 Yn and Zn denote BCD-coded digits 0 ... 9  
 n.u. 8 last bits of block 4 not used.

The paging segment address code, used to indicate the contents of blocks 3 and 4, is set to 0000.

M.2.1.6.3 Paging with additional numeric message

The additional numeric message is transmitted in one or two 7A groups following the first 7A group of the call. Other group types may be transmitted in between:

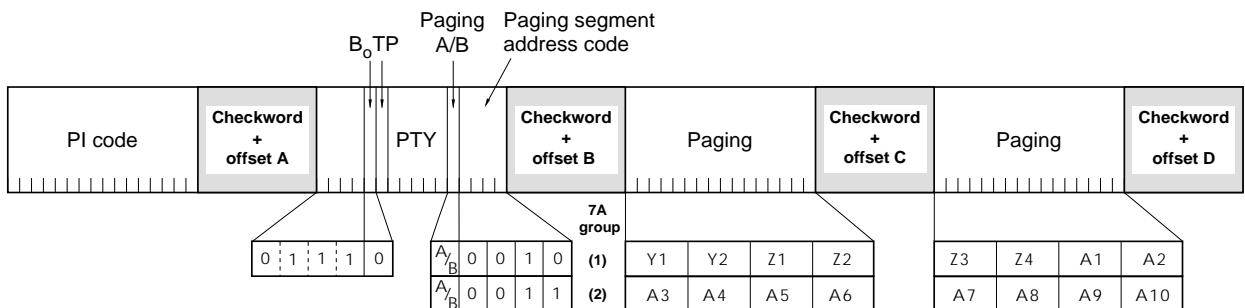
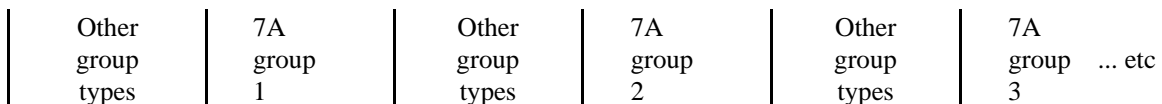


Figure M.3 - Group type 7A paging with additional 10 digit message

Third 7A group only transmitted in case of an 18 digit message.

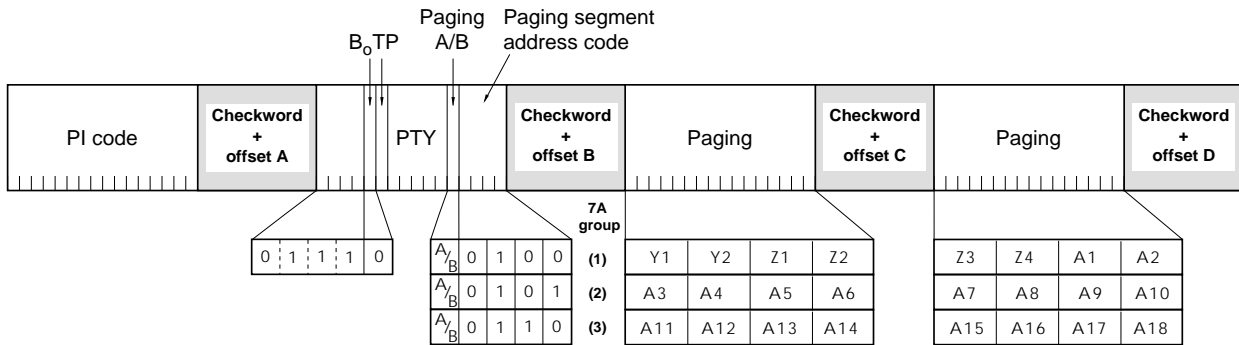


Figure M.4 - Group type 7A paging with additional 18 digit message

The paging segment address code is used to indicate the contents of blocks 3 and 4 in respective groups:

Table M.3

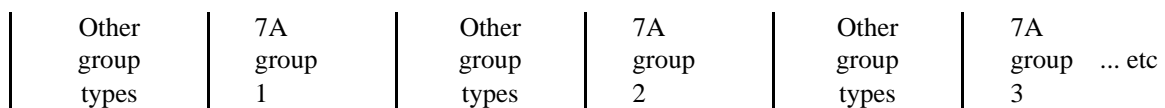
T <sub>3</sub>	T <sub>2</sub>	T <sub>1</sub>	T <sub>0</sub>	Contents of blocks 3 and 4
				<b>10-digit message:</b>
0	0	1	0	Group and individual code Y1Y2 Z1...Z4 plus message digits A1...A2
0	0	1	1	Message digits A3...A10
				<b>18-digit message:</b>
0	1	0	0	Group and individual code Y1Y2 Z1...Z4 plus message digits A1...A2
0	1	0	1	Message digits A3...A10
0	1	1	0	Message digits A11...A18

Y1Y2 denotes the group code  
 Z1...Z4 denotes the individual code within the group  
 Y<sub>n</sub> and Z<sub>n</sub> denote BCD-coded digits 0 ... 9  
 A1...A18 denotes the numeric message  
 A<sub>n</sub> denotes a hexadecimal character 0 ... A  
 Hexadecimal A is used to indicate a space character in the message

A new or repeated call is marked by altering the "paging A/B" flag.

M.2.1.6.4 Paging with additional alphanumeric message

The additional message is transmitted in consecutive 7A groups. Other group types may be transmitted in between:





Each of the groups contains 4 characters coded in 8 bits each

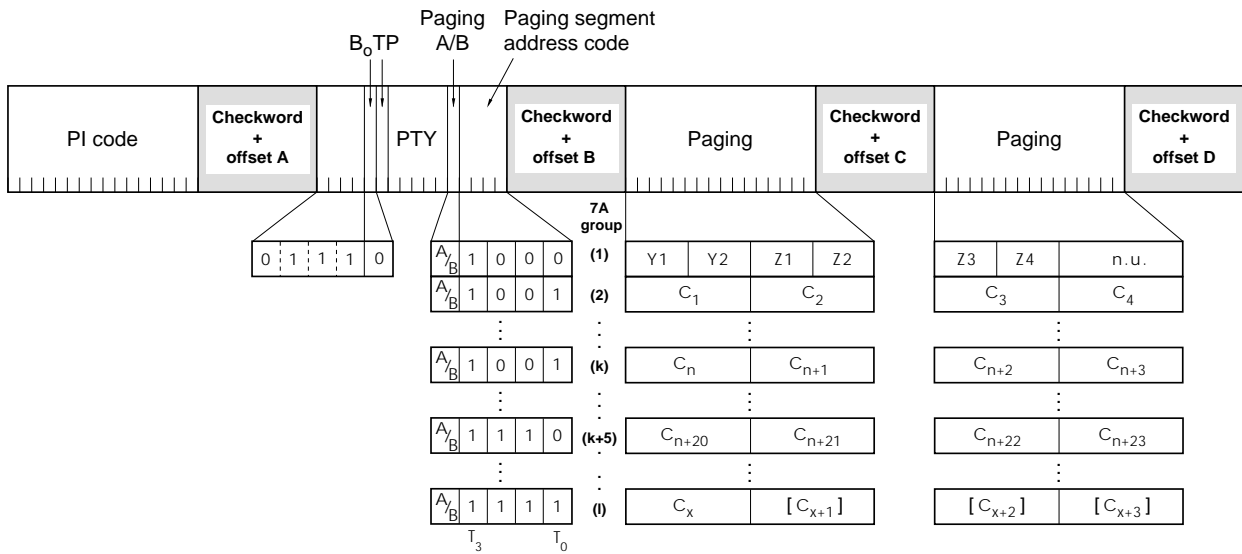


Figure M.5 - Group type 7A paging with additional alphanumeric message

The paging segment address code is used to indicate the contents of blocks 3 and 4 in respective groups:

Table M.4

$T_3$	$T_2$	$T_1$	$T_0$	Contents of blocks 3 and 4
1	0	0	0	Group and individual code Y1Y2 Z1 to Z4
1	0	0	1	Message characters $C_n...C_{n+3}$
1	0	1	0	Message characters $C_{n+4}...C_{n+7}$
1	0	1	1	Message characters $C_{n+8}...C_{n+11}$
1	1	0	0	Message characters $C_{n+12}...C_{n+15}$
1	1	0	1	Message characters $C_{n+16}...C_{n+19}$
1	1	1	0	Message characters $C_{n+20}...C_{n+23}$
1	1	1	1	End of alphanumeric message: last four or fewer message characters

Paging segment address code is repeated cyclically 1001 ... 1110 for every 24 characters of the message transmitted ( $n$  is increased by 24 for each cycle).

End of message is indicated by the transmission of paging segment address code 1111 or by a new call (indicated by altering the "paging A/B" flag).

Maximum length of message is 80 characters.

- Y1Y2 denotes the group code
- Z1...Z4 denotes the individual code within the group
- Y<sub>n</sub> and Z<sub>n</sub> denote BCD-coded digits 0 ... 9
- C<sub>n</sub>...C<sub>n+23</sub> denotes a message character coded in 8 bits according to annex E
- n.u. 8 last bits of block 4 of Group 1 not used

*M.2.1.6.5 International paging with additional numeric 15 digit message*

The additional numeric message is transmitted in two 7A groups following the first 7A group of the call. Other group types may be transmitted in between:

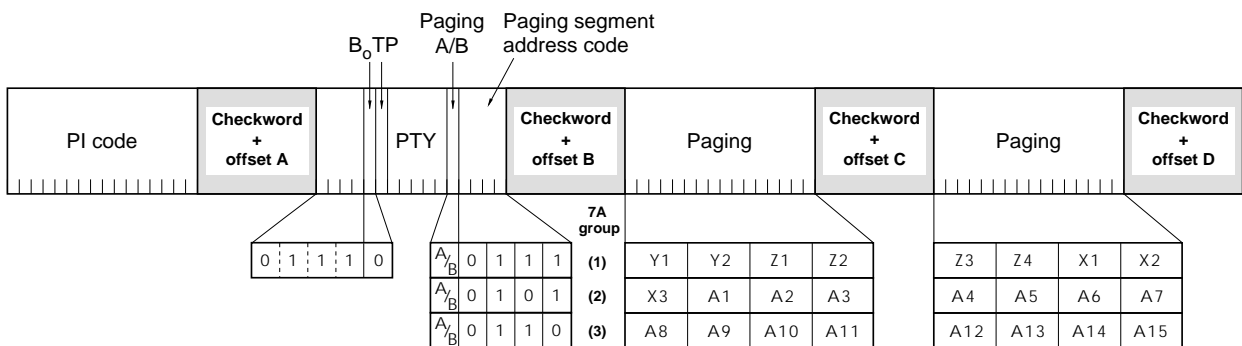
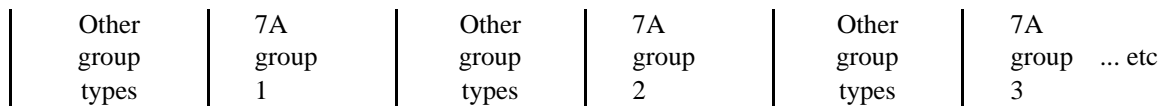


Figure M.6 - Group type 7A paging with additional international 15 digit message

The paging segment address code is used to indicate the contents of block 3 and 4 in respective groups:

**Table M.5**

$T_3$	$T_2$	$T_1$	$T_0$	Contents of blocks 3 and 4 International 15 digit message
0	1	1	1	Group and individual code plus country code digit 1 and 2
0	1	0	1	Country code digit 3 plus additional information digits 1 to 7
0	1	1	0	Additional information digits 8 to 15

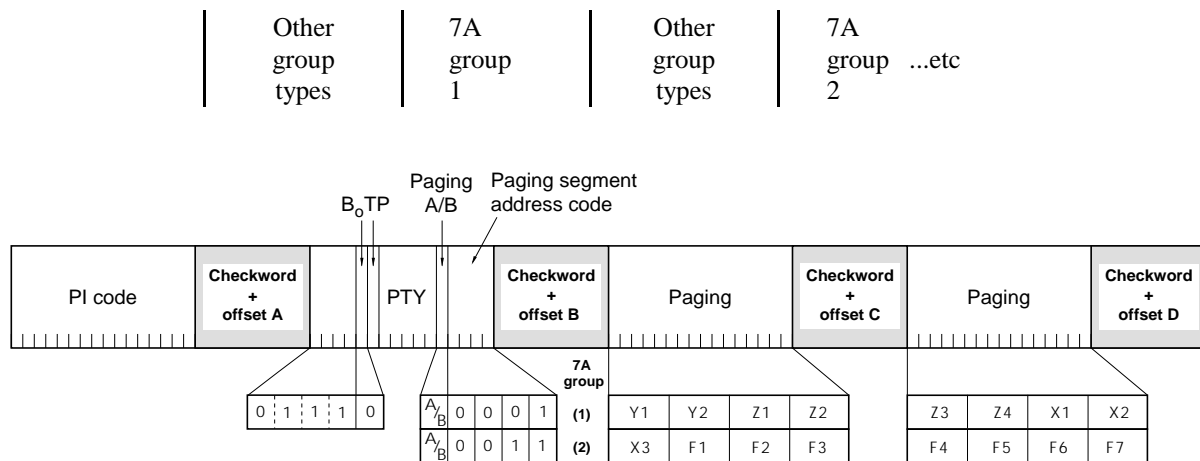
Y1Y2 denotes the group code  
 Z1...Z4 denotes the individual code  
 X1...X3 denotes the country code according to CCITT Rec. E212  
 $X_n, Y_n$  and  $Z_n$  denote BCD-coded digits 0 ... 9  
 A1...A15 denotes the additional numeric message  
 An denotes a hexadecimal character 0 ... A.  
 Hexadecimal A is used to indicate a space character in the message.

A new or repeated call is marked by altering the "paging A/B" flag.

*M.2.1.6.6 Functions message in international paging*

The functions message is transmitted in one 7A group following the first 7A group of the call.

Other group types may be transmitted in between:



*Figure M.7 - Functions message in international paging*

The paging segment address code is used to indicate the contents of block 3 and 4 in respective groups:

**Table M.6**

$T_3$	$T_2$	$T_1$	$T_0$	<i>Contents of blocks 3 and 4 Functions message</i>
0	0	0	1	Group and individual code plus country code digit 1 and 2
0	0	1	1	Country code digit 3 plus functions message number 1 to 7

Y1Y2	denotes the group code
Z1...Z4	denotes the individual code
X1...X3	denotes the country code according to CCITT Rec. E212
$X_n, Y_n$ and $Z_n$	denote BCD-coded digits 0 ... 9
F1...F7	denotes the functions message (e.g. for future applications such as control of paging receivers)
$F_n$	denotes a hexadecimal character 0 ... F

A new or repeated functions message is marked by altering the "paging A/B" flag.

### M.3 Enhanced Paging

#### M.3.1 Introduction

Beside the paging system described in paragraph M.2 that will be referred to as "basic paging", this clause introduces an "enhanced paging" protocol keeping the compatibility with the existing one.

The aim of enhanced paging protocol is to upgrade the battery life time of the pager, as well as easily permit regional and international paging, multi operator and multi services operation.

#### M.3.2 Multi operator / area paging

In order to offer real international paging services, it is important to identify completely the country during the channel locking, and so to use the Extended Country Code (ECC) as defined in 1A group, variant 0.

An Operator Code (OPC) is used to allow different operators to provide a paging service in the same country, as well as a Paging Area Code (PAC) which allows a paging service with a coverage different from a nation wide one.

OPC, PAC, ECC and country part of the PI code make up the System Information (SI) and identify a unique network worldwide.

As Group Designation code is no longer used, the sharing of subscribers is still possible with PAC, nonetheless it is possible for a **same operator** to use on the **same network** basic **and** enhanced paging protocols, in this case Group Designation is only relevant for pagers using basic protocol.

Several ways of transmitting System Information (SI) are possible and may be alternatively used on the same network either at the operator's choice or for compatibility of the paging protocol with other applications. By using the group type 1A block 4 to transmit SI information, setting to zero the day of the month, then the rest of the block will not be interpreted by receivers using PIN and thus is free for radio paging information.

Note: **This coding of block 4 applies to all Variants of type 1A groups.**

For efficient scanning and channel locking of the receivers, SI must be transmitted as often as possible and to preserve compatibility with existing paging systems, 1A groups sent as second markers will be used.

*M.3.2.1 Paging Area Code*

This code is defined for each country and operator. 6 bits are assigned to enable the definition of 63 paging service areas.

The figure zero transmitted by an encoder means it sends messages for all paging areas of the paging service provider, and the figure zero assigned to a pager means that it belongs to all paging service areas and as a consequence does not need to look for PAC information.

*M.3.2.2 Operator Code*

OPC allows to have more than one operator to function in a country. Within a country, each operator shall have its own unique code. OPC is coded on 4 bits to allow 15 operators.

The figure zero is not valid for an operator, and means that enhanced paging protocol is not implemented on the channel (see note 1 in M.3.2.4.3).

*M.3.2.3 Extended Country Code*

In order to uniquely define each country for enhanced international service, ECC is used as defined in 1A group, variant 0.

For the majority of pagers which are used in national mode, checking the country part of the PI code will be sufficient for channel locking, full ECC being checked in a second step, especially for pagers set in international mode.

*M.3.2.4 Description of usage of 1A group variants for paging*

*M.3.2.4.1 Use of 1A variant 0 when PIN information is transmitted*

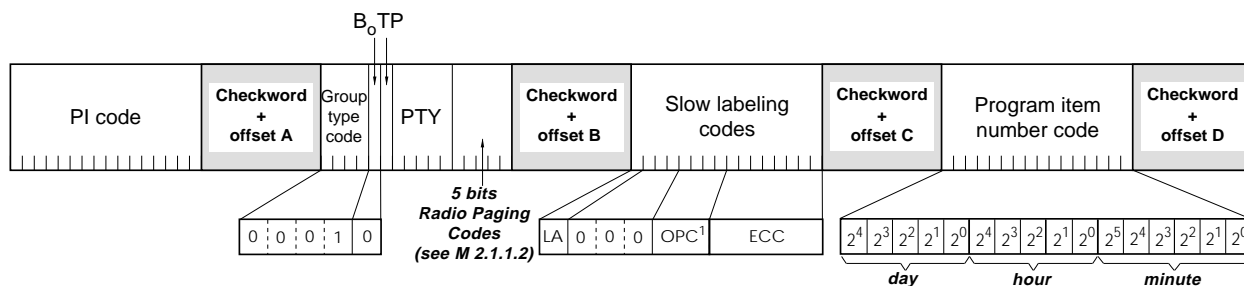


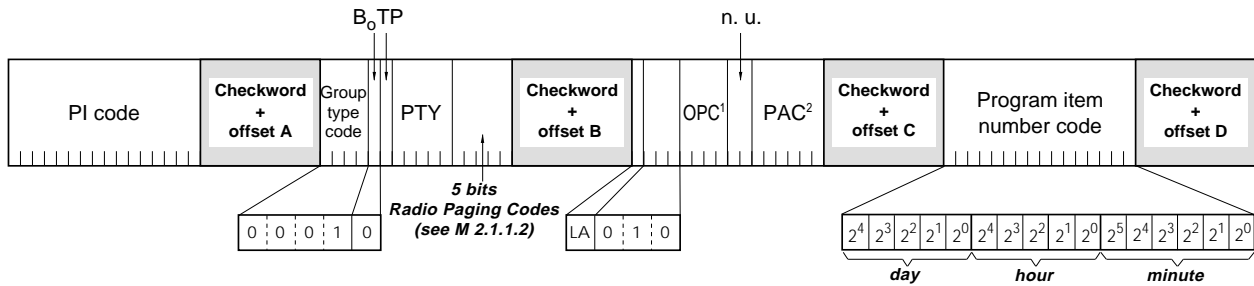
Figure M.8 - variant 0 of 1A group with PIN

1A group, variant 0 is defined for transmitting ECC which is part of the paging System Information. The four bits  $2^{11}$ -  $2^8$  of the slow labelling code (see Figure 8a and M.10a) which are used to transmit the OPERATOR CODE (OPC).

**It is important that broadcasters using type 1A group, variant 0, without transmitting paging, set these four bits to zero.**

Pagers for which PAC is set to zero do not need any more information than that contained in block 3 of variant 0 and PT's country part to lock to a channel.

M.3.2.4.2 Use of 1A variant 2 when PIN information is transmitted



<sup>1)</sup> and <sup>2)</sup>: See notes below figure M.10b

n.u. means not used

Figure M.9 - variant 2 of 1A group with PIN

Variant 2 is dedicated to paging and will transmit OPC and PAC.

The four bits  $2^{11} - 2^8$  of the slow labelling code (see Figure M.9 and M.10b) transmit the OPC as in variant 0.

The two bits  $2^7 - 2^6$  of the slow labelling code (see Figure M.9 and M.10b) are set to zero, and must be ignored by the pager.

All values are reserved for future use.

The six bits  $2^5 - 2^0$  of the slow labelling code (see Figure M.9 and M.10b) transmit the PAC.

M.3.2.4.3 Use of PIN field when no valid PIN information is transmitted

By setting to zero the five first bits (day information bits) of block 4, all receivers except enhanced protocol pagers will disregard the rest of the block which does not represent valid PIN information.

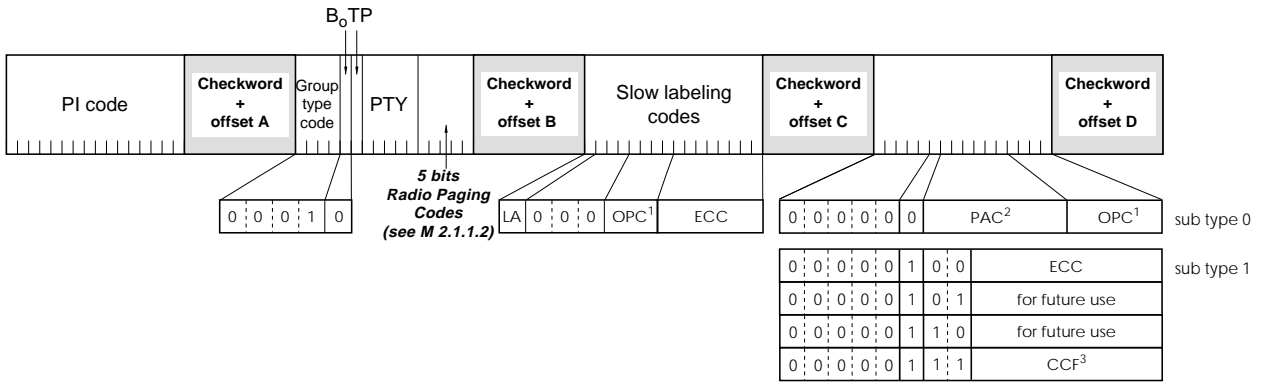


Figure M.10a - variant 0 of 1A group without PIN

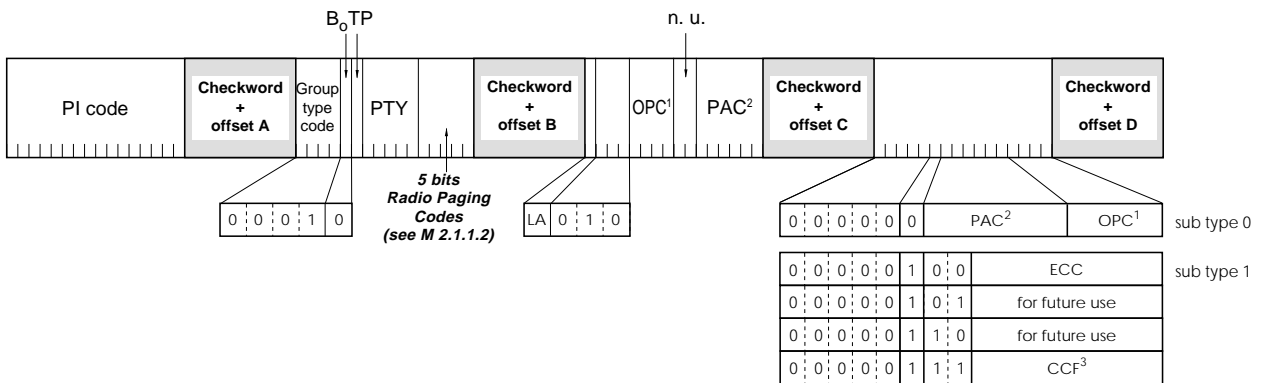


Figure M.10b - variant 2 of 1A group without PIN

Notes:

1. OPC : OPerator code (see M.3.2.2). If these 4 bits are set to 0, it indicates that there is no enhanced paging service on the channel.
2. PAC : PAging Area Code (see M.3.2.1).
3. CCF : CurrenT Carrier Frequency. This code represents the frequency value of the carrier to which the receiver is locked according to AF (see 3.2.1.6.1).

The eleven remaining bits are used to transmit the paging System Information. This gives an efficient tool to preserve compatibility with applications requiring other 1A variants.

Bit 2<sup>4</sup> (hour information field of figure M.9) is now used to define a sub type :

- If set to 0, the rest of the block transmits PAC in bits 2<sup>3</sup> - 2<sup>0</sup> (hour information field of figure M.9) and in bits 2<sup>5</sup> - 2<sup>4</sup> (minute information field of figure M.9), and OPC in bits 2<sup>3</sup> - 2<sup>0</sup> (minute information field of figure M.9).
- If set to 1, bits 2<sup>3</sup> - 2<sup>2</sup> (hour information field of figure M.9) are used to define a sub-usage code:

**Table M.7**

23	22	<i>Usage of the remaining 8 bits</i>
0	0	Transmit ECC
0	1	Reserved for future use, must be set to zero
1	0	Reserved for future use, must be set to zero
1	1	Transmit CCF

#### *M.3.2.5 Compatibility with other RDS applications and timing of 1A groups*

##### *M.3.2.5.1 General rule*

If no other RDS application using 1A group is broadcast on the network, it is strongly recommended to use variant 2 of 1A group. The following paragraph explains the different possibilities.

##### *M.3.2.5.2 Compatibility and timing of 1A groups*

Group type 4A is transmitted at the start of every minute. Group type 1A is transmitted at least once per second. The OPC code is transmitted in the blocks 3 and 4 in order to allow receivers to process a fast locking on or a fast leaving of the channel in case variants of 1A groups, different from 0 and 2, are transmitted.



A pager using enhanced protocol may alternatively find the relevant System Information (SI) in 1A group variant 0, 1A group variant 2 or in block 4 of any 1A group when no PIN is broadcast. This protocol allows to remain compatible with other applications as it will be recommended below :

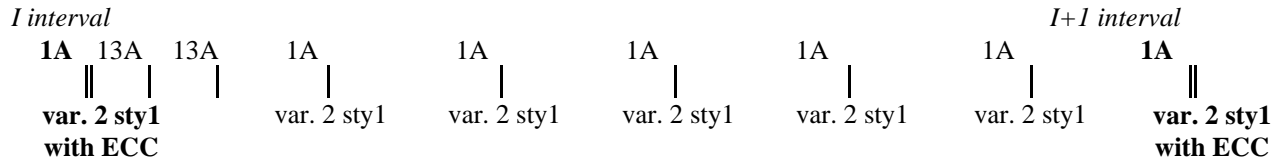
**General remarks :**

1. *Var. means variant, sty means sub type.*
2. *In case of interval 0, the first 1A group is replaced by 4A group. For M.3.2.5.2.3 and M.3.2.5.2.4, variant 0, sub type 0 is obligatory for 1A group as 2nd marker.*
3. *It is recommended to insert at least one type 1A group, variant 2, sub type 1 with ECC, or one type 1A group, variant 0, sub type 0 per interval as 1st marker, or as 2nd marker for interval 0.*
4. *1B groups are broadcast with valid PIN in order to respect the 0.5 second repetition time.*
5. *When two 1B groups are broadcast between two 1A groups, the first one must be as close as possible to the first 1A or 4A groups, and the second one must be as close as possible to the second 1A or 4A groups.*
6. *1B groups are 0.5 s apart from 1A groups.*
7. *The use of 1A group, variants 0 or 2 during the broadcasting of the PIN is obligatory, which means that the compatibility with other applications is restricted during this period (< 2 s).*
8. *13A groups are optional and are represented here for information only.*

M.3.2.5.2.1 Network not using PIN nor other variants of 1A group

SI is transmitted in 1A group variant 2 (ECC in block 4).

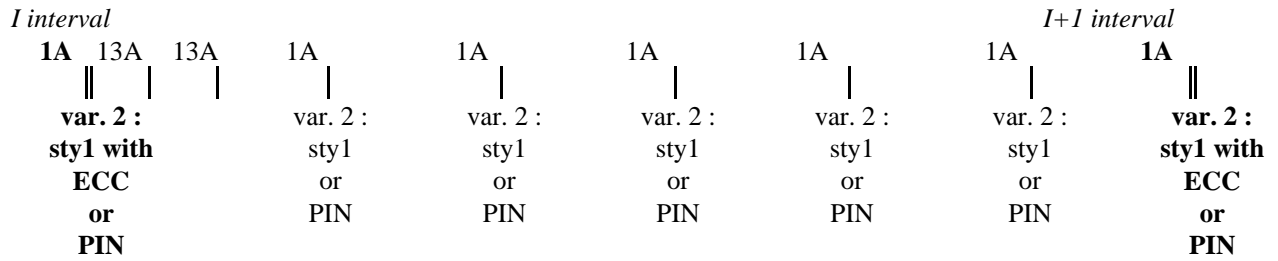
Start of :



M.3.2.5.2.2 Network using PIN but no other variants of 1A group

When no PIN information is valid, SI is transmitted in 1A group variant 2. When valid PIN information is present, SI is transmitted in 1A group variant 2, but ECC is not available.

Start of :

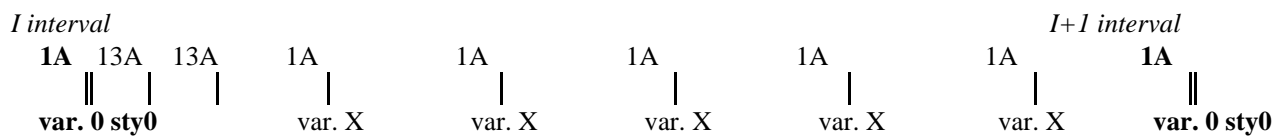


M.3.2.5.2.3 Network not using PIN but other variants of 1A group

A mixing of 1A group, variant 0 and variant X (X ≠ 0) will be used according to each system 's requirements.

Beginning of a paging interval is always using a 1A group, variant 0, the PIN field is used to transmit SI when other variants of 1A group are transmitted.

Start of :



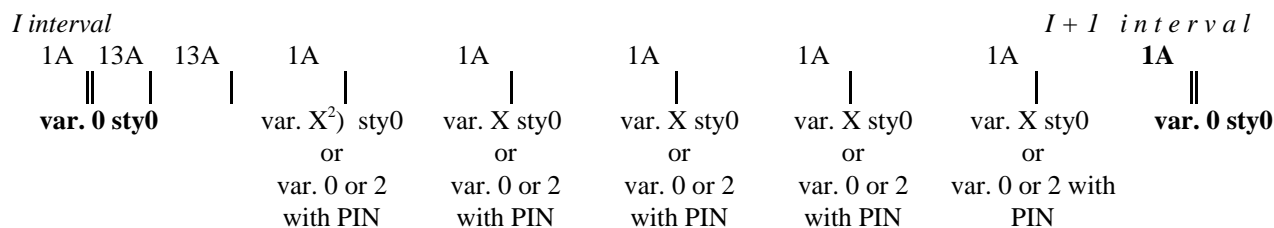
Notes :

1. If X ≠ 0 and X ≠ 2, sub type must be 0 in block 4.
2. If X = 0, sub type can be either 0 or 1 interleaved.
3. If X = 2, sub type must be 1.
4. var. x sty x means Variant x, Sub type x

M.3.2.5.2.4 Network using PIN and other variants of 1A group

A mixing of the above two methods is used, the only constraint being to transmit OPC every second, PAC each two seconds and ECC at least once in the interval.

Start of :



M.3.2.6 Services using multi operator/area

Knowing that operator and area are coded individually, a pager can select the right network without any risk of error. Combinations of different operators and/or areas are possible by programming SI for all the elementary services in the pager.

M.3.2.7 Locking criteria

The pagers designed to be used with this new enhanced paging protocol must ignore the criteria described in paragraphs M.2.1.4 and M.2.1.5, and respect the following ones:

- M.3.2.7.1 The pager searches for one of the offset words A...D. When this is found, it searches for the next expected offset word at a distance of: n times 26 bits, n = 1 ... 6. When two offset words have been found, the pager is synchronized to both block and group. After block and group synchronization, the pager must find the correct System Information (country part of the PI code, OPERator Code and Paging Area Code in the national mode, country part of the PI code, Extended Country Code and OPERator Code in the international mode). Otherwise the pager must leave the channel.
- M.3.2.7.2 The pager shall leave the channel within one second if OPC (1A group) is set to 0.
- M.3.2.7.3 When scanning the frequency band, block and group synchronization must occur within one second and correct System Information must be found within two<sup>3</sup>) seconds after block and group synchronization. Otherwise the pager must leave the channel.
- M.3.2.7.4 When locking to the channel after battery saving mode, block and group synchronization and the reception of the correct System Information must occur within two<sup>3</sup>) seconds. Otherwise the pager must leave the channel.
- M.3.2.7.5 When locking to the channel after battery saving mode, the reception of the parity of the minute for pagers operating in the 120 seconds cycle mode must occur within 6 seconds.

---

<sup>2</sup>) X ≠ 0 and X ≠ 2

<sup>3</sup>) If PIN is broadcast at the same time, the pager must find the correct SI within three seconds after block and group synchronization

### *M.3.2.8 Loss of synchronization*

*M.3.2.8.1* When 43 out of the last received 45 blocks have a syndrome different from 0 (for the respective offset words), the channel locking is lost and the pager shall scan the band for a better channel.

*M.3.2.8.2* If the System Information is no longer in accordance with the one programmed in the pager, the pager shall leave the channel and scan the band for a new one.

### *M.3.2.9 International paging*

To be able to receive international calls, the user must activate the pager's international mode. The pager contains a list of countries covered by the user's subscription with the relevant operator codes.

Because the user can forget to activate the pager's international mode, it is recommended that the pager first check ECC before displaying the first message after locking.

#### *M.3.2.9.1 Selection of the channel*

To select the correct channel, the pager must check the full SI. These codes, broadcast in 1A groups, are stored in a table which indicates to the pager which local operator is providing the international connection with its own paging service provider.

#### *M.3.2.9.2 International alphanumeric/variable length numeric or function messages*

The figures M.17, M.18 and M.19 describe the new international message format. The pager must check the 6-digit national address + the 3-digit country code (according to CCITT Rec. E212) + the 4-bit OPC code, which together define its unique international address. This OPC code is the original one (from the national paging service provider) and has no link with the one broadcast in the 1A group.

## **M.3.3 Extension of paging addressing mode**

The basic paging system allows 1 million addresses. Knowing that pagers have 2 or more addresses, and that transmitter network group designation can limit the use of address range, the coding is extended using hexadecimal coding instead of BCD coding. Only the digit Z4 (see M.2.1.6.2) of the individual address remains BCD-coded to keep the compatibility with interval numbering.

Thus the new total capacity becomes :  $16^5 \times 10 = 10\,485\,760$  addresses.

This extension can be implemented on existing network independently of the other enhanced features, but must be introduced in case of enhanced paging protocol implementation.

For basic paging protocol, the group designation code assignment is described below :

**Table M.8**

$B_4$	$B_3$	$B_2$	<i>Group codes</i>	<i>Percentage</i>
0	0	0	No basic paging on channel	
0	0	1	00 - FF	100
0	1	0	00 - 3F + A0 - DF	50
0	1	1	40 - 9F + E0 - FF	50
1	0	0	40 - 6F + E0 - EF	25
1	0	1	70 - 9F + F0 - FF	25
1	1	0	00 - 1F + A0 - BF	25
1	1	1	20 - 3F + C0 - DF	25

### M.3.4 Battery saving mode

The principle of the battery saving mode described in paragraph M.2.1.3 is based on a time division of 10 intervals per minute during which only the pagers belonging to the transmitted interval (in accordance with digit Z4 of its individual code (see M.2.1.6.2)) are activated. The enhanced protocol provides tools to dramatically improve the performances achieved with basic paging in this field.

#### M.3.4.1 Message notification / 13A groups sub type description

##### M.3.4.1.1 Introduction

The 13A group is organised in sub types. Sub types 0, 1 and 2 are transmitted at the beginning of each interval (just following the first 1A group), this group informs the pager of the possibility of presence of messages: if there is no message, the pager can immediately enter the battery saving mode instead of waiting until the end of its interval.

If the pager misses the 13A group, it must follow the rules described in M.3.4.4.

By transmitting the number of the current interval at the beginning of the interval instead of collecting it in many 1A groups, the acquisition can be optimised, thus improving the battery life time.

##### M.3.4.1.2 Message notification

Each pager is identified by a group code Y1Y2 followed by an individual code Z1Z2Z3Z4 (see M.2.1.6.2).

The last digit Z4 indicates the interval number. The Z2Z3 digits determine a sub group for message notification to which a pager belongs. Thus 256 sub groups have been defined (00-FF).

For a given interval and a given minute, the 256 sub-groups are represented by 50 bits transmitted in two 13A groups, each bit indicating if a message for at least one pager belonging to the corresponding sub group will be transmitted during the considered interval. However, one 13A group can be used instead of two, if type 7A group traffic is important, which is the case for alphanumeric messages. In that case only 25 notification bits are used.

In worst case of traffic it is even possible to skip 13A group transmission.

The correspondence between the hexadecimal-coded ZZZ3 digits and the address notification bit, is given in the tables of section M.3.6.

The address notification bit is set to 1 if at least one pager belonging to a sub group attached to this notification bit will receive a message, otherwise the address notification bit is set to 0.

M.3.4.1.3 Sub type description

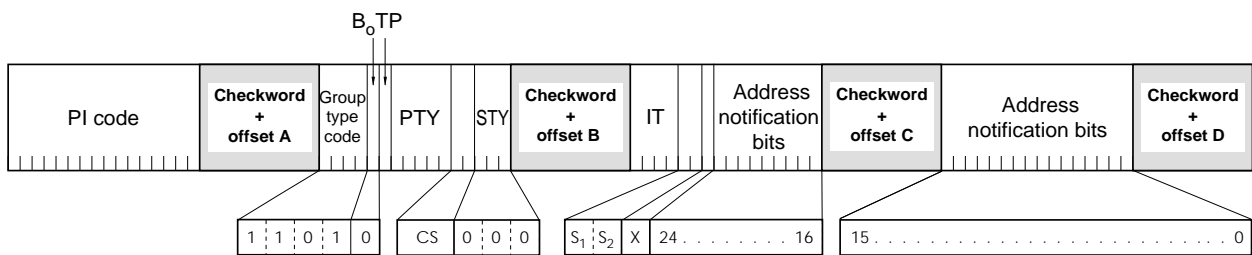


Figure M.11a - sub type 000 - Group type 13A

The 13A group, sub type 000, is used when only 25 address notification bits (one 13A group) are used. This group is located immediately after the 1A group starting the interval.

**STY** denotes the sub type of the group.

**X** is reserved for future use.

**CS** (Cycle Selection) denotes the parity of the minute if a two minute cycle is implemented, and indicates if only one minute cycle or a mixing of both (one and two minutes cycle) is implemented.

Table M.9

CS		
0	0	1 minute cycle
0	1	reserved for future use
1	0	2 minutes cycle or mixed (even)
1	1	2 minutes cycle or mixed (odd)

**IT** denotes the paging interval numbering.

**S<sub>1</sub>** and **S<sub>2</sub>** indicate whether messages are sorted or not.

Table M.10

S <sub>1</sub>	S <sub>2</sub>	
0	0	not sorted
0	1	reserved for future use
1	0	sorted in ascending order
1	1	sorted in descending order

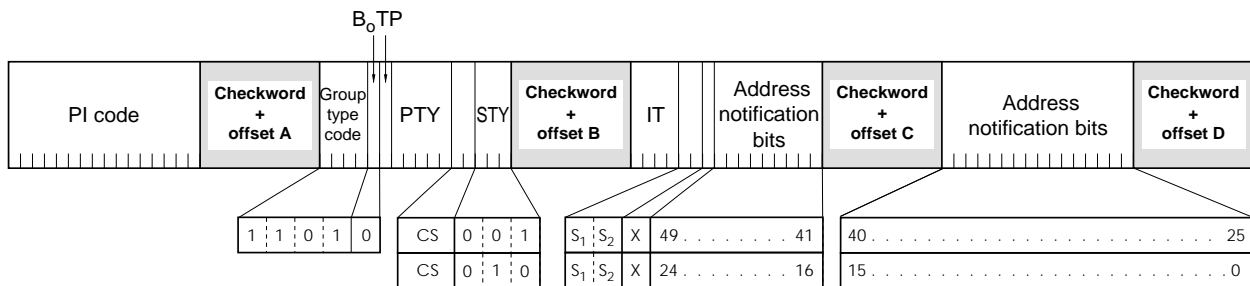


Figure M.11b - Sub type 001 and 010 - Group type 13A

The 13A group, sub type 001, is used when 50 address notification bits (two 13A groups) are used. This group is located immediately after the 1A group starting the interval and represents high order notification bits.

The 13A group, sub type 010, is the second of the two 13A groups when 50 address notification bits (two 13A groups) are used. This group is located immediately after the 13A group, sub type 001, and represents low order notification bits.

**Warning: the address notification bits do not refer to the same pagers sub groups in sub types 000 (25 bits) and 001 with 010 (50 bits).**

The sub type 011 will be used to carry information for Value Added Services (VAS) pagers.

M.3.4.2 One or two minutes cycles

M.3.4.2.1 Cycle structure

A 120 s or 60 s main cycle is used depending on the pager programming. A pager operating on a 120 seconds cycle wakes up from battery saving mode once every two minutes either during an even or odd minute according to its Z3 digit (see chapter M.3.6). A pager operating on a 60 s cycle wakes up from battery saving mode once every minute.

1A group cycle structure is described in M.3.2.5.

If no 13A group is broadcast or if the receiver cannot decode the CS correctly, one minute cycle time has to be followed.

#### M.3.4.2.2 Priority between the different kinds of group

When 13A groups are used, they must follow immediately the 1A or 4A group (sub types 000, sub types 001 or 010).

Either zero, one or two 13A groups may be used, and the number may be changed dynamically by the operator or encoder as a function of paging traffic.

13A groups will be inserted automatically by encoders.

#### M.3.4.2.3 Loss of interval synchronization

The pager shall be considered to have lost its interval synchronization if any of the following criteria is fulfilled:

- if there is a paging call within the pager's own interval to a pager not belonging to the interval or the two preceding intervals, or
- the interval value received from a 13A or 1A groups is not the one expected, or
- the parity of the minute is not the one expected for two minutes cycle receivers.

#### M.3.4.3 Organisation of the messages within an interval

At the broadcaster's discretion messages may be sent in random order or with the individual address value of the pager sorted, two minutes in ascending order and two minutes in descending order. A pager may enter battery saving mode when its address has been passed.

#### M.3.4.4 Battery saving mode criteria

The pagers designed to be used with this new enhanced paging protocol must ignore the criteria described in paragraph M.2.1.3

The pager may enter the battery saving mode after the start of its own interval if any of the following criteria is fulfilled:

- if at least 10 groups differing from 7A group have been received;
- if a paging call, belonging to an interval different from the pagers' own and the two preceding intervals, has been received;
- after the start of the third interval after its own interval;
- if the address notification bits in the beginning of the interval in the 13A sub group types 000, 001 or 010 corresponding to the pager's address are set to zero and the related 13A groups have been received correctly;
- if at least one paging call having individual address value below or above the pager's own (according to the sorting order) have been received.



**M.3.5 Group type 7A message format**

*M.3.5.1 General*

The group type 7A message format is as described in the chapter M.2.1.6, without any change. The table M.2 is extended to new types of messages:

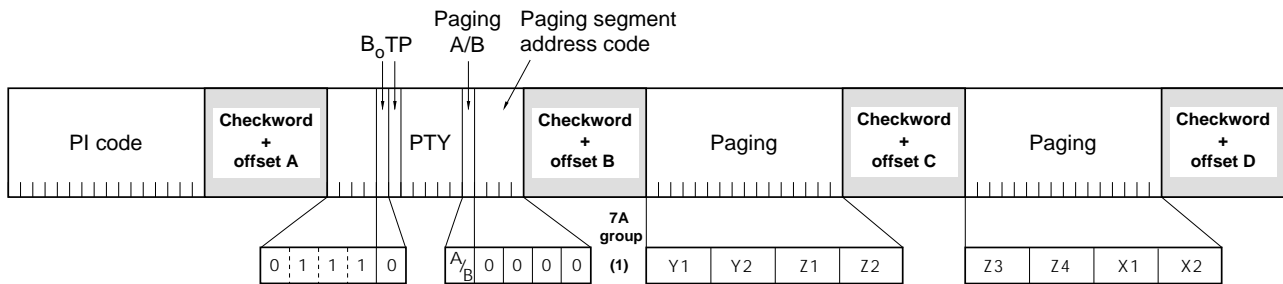
**Table M.11**

$T_3$	$T_2$	$T_1$	$T_0$	<i>Message contents:</i>
0	0	0	0	No additional message
0	0	0	1	Part of functions message
0	0	1	X	10- digit numeric message or part of functions message
0	1	X	X	18- digit numeric message or 15- digit numeric message in international paging
1	X	X	X	Variable-length message
1	1	1	1	Last group of a variable-length message
<i>X indicates state 0 or 1</i>				

**NOTE:** If variable-length (numeric, international numeric, international alphanumeric, functions, international functions) or tone-only paging calls are received by pagers designed according to the specification EN 50067:1992 then incorrect display of messages may result.

*M.3.5.2 Paging without additional message: Tone-only message*

The value of the control byte X1X2 is: 0 0 0 R P3 P2 P1 P0 (see Table M.12)



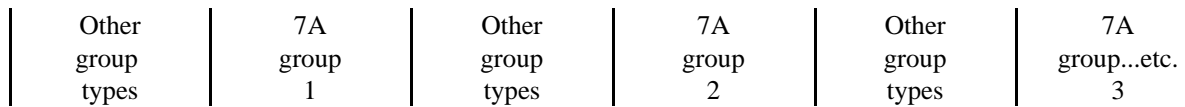
*Figure M.12 - Tone-only message*

- Y1Y2 denotes the group code
- Z1 ... Z4 denotes the individual code within the group
- X1X2 denotes the control byte
- Z4 BCD-coded digit 0 ... 9
- Xn, Yn and Z1...Z3 hexadecimal character 0 ... F

The paging segment address code, used to indicate the contents of blocks 3 and 4, is set to 0000. The control byte X1X2 is defined in M.3.5.3

M.3.5.3 Paging with additional variable-length message

The additional message is transmitted in consecutive 7A groups. Other group types may be transmitted in between:



The contents of each group is relative to the type of the variable-length message.

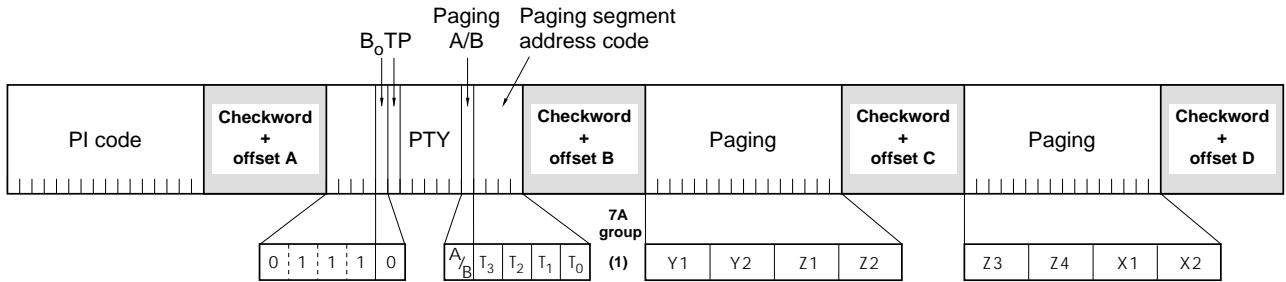


Figure M.13 - First 7A group of a variable-length message

- Y1Y2 denotes the group code
- Z1...Z4 denotes the individual code within the group
- X1X2 denotes the control byte
- Z4 BCD-coded digit 0 ... 9
- Xn, Yn and Z1...Z3 hexadecimal character 0 ... F

The control byte is used to indicate the type of the variable-length message; it also includes a paging call counter and a paging call repetition flag.

Table M.12 - description of the control byte

Paging segment address code (in the 2nd block of each 7A group)				Control byte X1X2 (last byte of the 4th block of the 1st 7A group)								Type of the message
T <sub>3</sub>	T <sub>2</sub>	T <sub>1</sub>	T <sub>0</sub>	9	10	11	12	13	14	15	16	
0	0	0	0	E <sub>2</sub>	E <sub>1</sub>	E <sub>0</sub>	R	P <sub>3</sub>	P <sub>2</sub>	P <sub>1</sub>	P <sub>0</sub>	Tone-only message (See 3.2.6.2.6.2)
1	X	X	X	0	0	NI	R	P <sub>3</sub>	P <sub>2</sub>	P <sub>1</sub>	P <sub>0</sub>	Alphanumeric message
1	X	X	X	0	1	NI	R	P <sub>3</sub>	P <sub>2</sub>	P <sub>1</sub>	P <sub>0</sub>	Variable-length numeric message
1	X	X	X	1	0	NI	R	P <sub>3</sub>	P <sub>2</sub>	P <sub>1</sub>	P <sub>0</sub>	Reserved for future use
1	X	X	X	1	1	NI	R	P <sub>3</sub>	P <sub>2</sub>	P <sub>1</sub>	P <sub>0</sub>	Variable-length functions message

- Bits 9 and 10 denote the type of the variable-length message
- NI denotes the national/international bit
  - NI = 0 : National message
  - NI = 1 : International message
- R denotes the paging call repetition flag
- P<sub>0</sub> ... P<sub>3</sub> denote the paging call counter
- E<sub>2</sub>, E<sub>1</sub>, E<sub>0</sub> denote the extended message field for tone-only messages. Use according to Operator's definition.

**Table M.13 - Use of paging call repetition flag**

Bit 12 (R)	Description
0	Indicates the original (first time) transmission of a paging call, or that the repetition flag is not implemented
1	Indicates the repetition of an already transmitted paging call

Bits 13-16, designated as P3-P0, form the paging call counter. The counter is individual to each receiver address number<sup>4)</sup>, and is incremented by 1 every time a call is initially sent to the receiver address number, independent of the message type used. When the call is repeated, the counter must have the same value as originally sent.

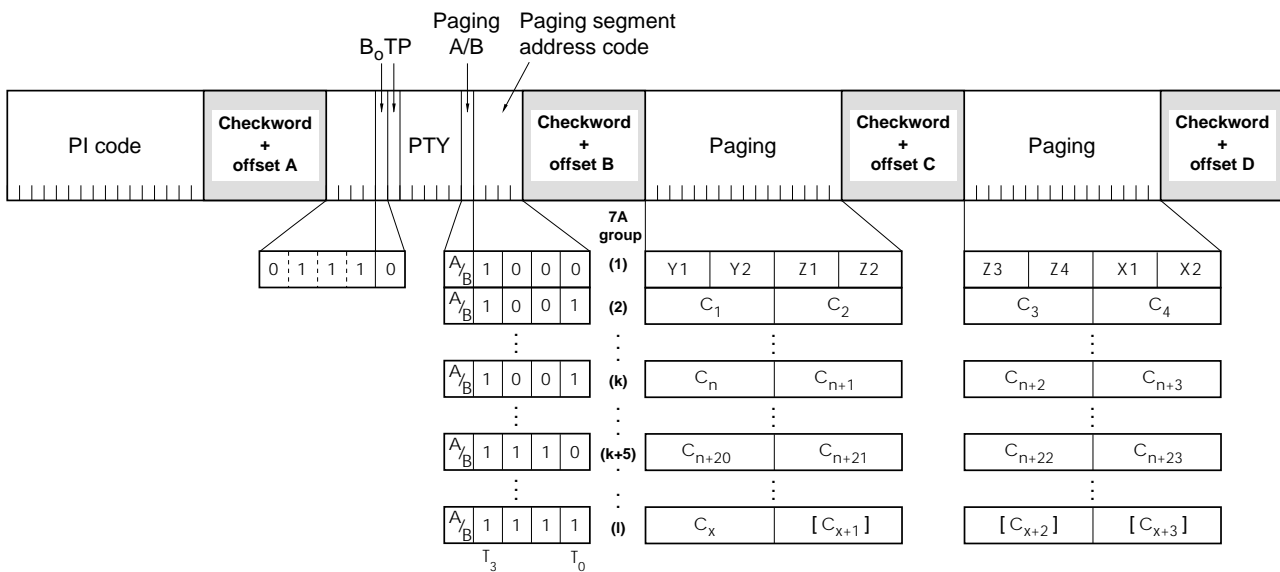
The paging call counter may be used in the receiver to indicate that no messages have been lost.

Valid values for the paging call counter are 1 to 15, while the value 0 is used when the paging call counter is not implemented. The paging call counter is used in a loop so that value 1 will follow after value 15.

*M.3.5.4 National paging with additional alphanumeric message*

The value of the control byte X1X2 is: 0 0 NI R P3 P2 P1 P0 with NI = 0

Each of the groups contains 4 characters coded in 8 bits each.



*Figure M.14 - Group type 7A national paging with additional alphanumeric message*

<sup>4)</sup> The receiver address number is the Group code + the individual code = Y1Y2Z1Z2Z3Z4

The paging segment address code is used to indicate the contents of blocks 3 and 4 in respective groups:

**Table M.14**

$T_3$	$T_2$	$T_1$	$T_0$	Contents of blocks 3 and 4
1	0	0	0	Group and individual code Y1Y2 Z1 to Z4 and control byte X1X2
1	0	0	1	Message characters $C_n \dots C_{n+3}$
1	0	1	0	Message characters $C_{n+4} \dots C_{n+7}$
1	0	1	1	Message characters $C_{n+8} \dots C_{n+11}$
1	1	0	0	Message characters $C_{n+12} \dots C_{n+15}$
1	1	0	1	Message characters $C_{n+16} \dots C_{n+19}$
1	1	1	0	Message characters $C_{n+20} \dots C_{n+23}$
1	1	1	1	End of alphanumeric message: last four or fewer message characters

Paging segment address code is repeated cyclically 1001 ... 1110 for every 24 characters of the message transmitted ( $n$  is increased by 24 for each cycle).

End of message is indicated by the transmission of paging segment address code 1111 or by a new call (indicated by altering the "paging A/B" flag).

Recommended maximum length of message is 80 characters.

Y1Y2	denotes the group code
Z1...Z4	denotes the individual code within the group
X1X2	denotes the control byte
Z4	BCD-coded digit 0 ... 9
Xn, Yn and Z1...Z3	hexadecimal character 0 ... F
$C_n \dots C_{n+23}$	denotes a message character coded in 8 bits according to annex E

M.3.5.5 National paging with additional variable-length numeric message

The value of the control byte X1X2 is: 0 1 NI R P3 P2 P1 P0 with NI = 0

Each of the groups contains 8 digits coded in 4 bits each

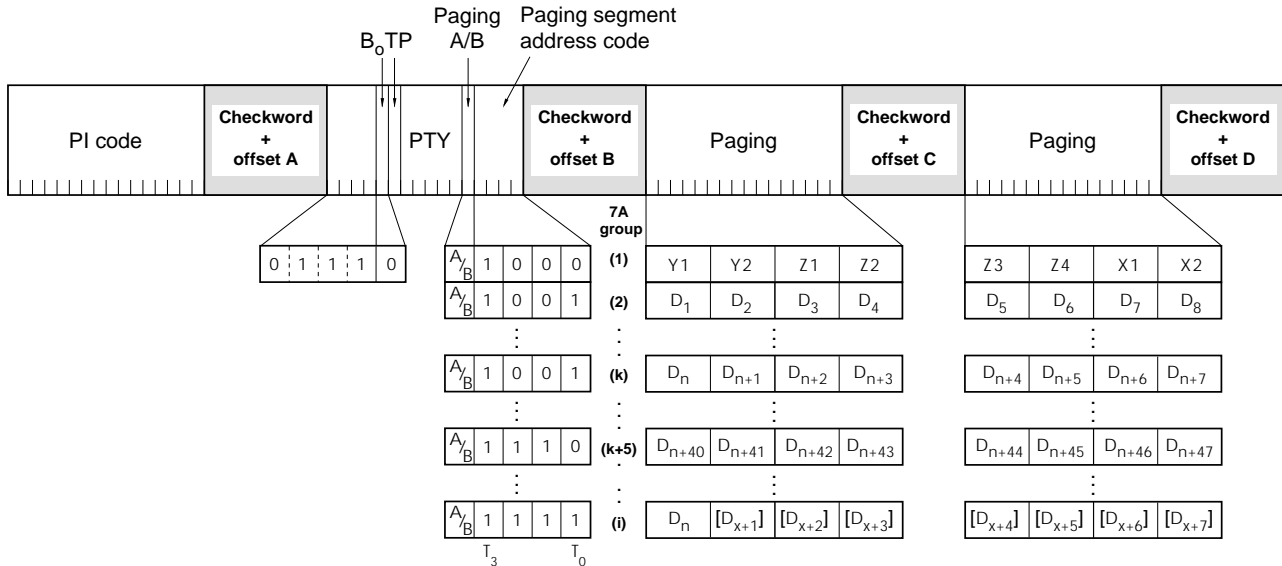


Figure M.15 - Group type 7A national paging with additional variable-length numeric message

The paging segment address code is used to indicate the contents of blocks 3 and 4 in respective groups:

Table M.15

$T_3$	$T_2$	$T_1$	$T_0$	Contents of blocks 3 and 4
1	0	0	0	Group and individual code Y1Y2 Z1 to Z4 and control byte X1X2
1	0	0	1	Message digits $D_n \dots D_{n+7}$
1	0	1	0	Message digits $D_{n+8} \dots D_{n+15}$
1	0	1	1	Message digits $D_{n+16} \dots D_{n+23}$
1	1	0	0	Message digits $D_{n+24} \dots D_{n+31}$
1	1	0	1	Message digits $D_{n+32} \dots D_{n+39}$
1	1	1	0	Message digits $D_{n+40} \dots D_{n+47}$
1	1	1	1	End of variable-length numeric message: last eight or fewer message digits

The paging segment address code is repeated cyclically 1001 ... 1110 for every 48 digits of the message transmitted ( $n$  is increased by 48 for each cycle).

End of message is indicated by the transmission of paging segment address code 1111 or by a new call (indicated by altering the "paging A/B" flag).

Recommended maximum length of message is 160 digits.

Y1Y2

denotes the group code

- Z1...Z4 denotes the individual code within the group
- X1X2 denotes the control byte
- Z4 BCD-coded digit 0 ... 9
- Xn, Yn and Z1...Z3 hexadecimal character 0 ... F
- D<sub>n</sub>...D<sub>n+47</sub> denotes a hexadecimal character 0 ... A

Hexadecimal A is used to indicate a space character in the message

M.3.5.6 National paging with additional variable-length functions message

The value of the control byte X1X2 is: 1 1 NI R P3 P2 P1 P0 with NI = 0

Each of the groups contains 8 digits coded in 4 bits each

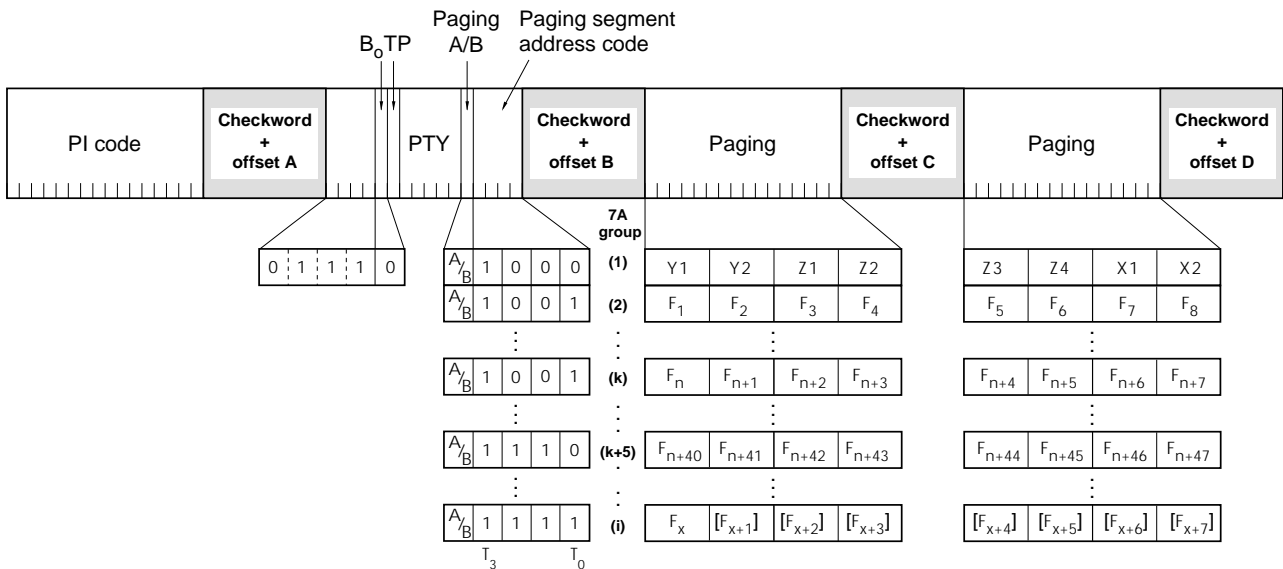


Figure M.16 - Group type 7A national paging with additional variable-length functions message

The paging segment address code is used to indicate the contents of blocks 3 and 4 in respective groups:

**Table M.16**

$T_3$	$T_2$	$T_1$	$T_0$	Contents of blocks 3 and 4
1	0	0	0	Group and individual code Y1Y2 Z1 to Z4 and control byte X1X2
1	0	0	1	Message digits $F_n \dots F_{n+7}$
1	0	1	0	Message digits $F_{n+8} \dots F_{n+15}$
1	0	1	1	Message digits $F_{n+16} \dots F_{n+23}$
1	1	0	0	Message digits $F_{n+24} \dots F_{n+31}$
1	1	0	1	Message digits $F_{n+32} \dots F_{n+39}$
1	1	1	0	Message digits $F_{n+40} \dots F_{n+47}$
1	1	1	1	End of variable-length functions message: last eight or fewer message digits

The paging segment address code is repeated cyclically 1001 ... 1110 for every 48 digits of the message transmitted ( $n$  is increased by 48 for each cycle).

End of message is indicated by the transmission of paging segment address code 1111 or by a new call (indicated by altering the "paging A/B" flag).

Recommended maximum length of message is 160 digits.

- Y1Y2 denotes the group code
- Z1...Z4 denotes the individual code within the group
- X1X2 denotes the control byte
- Z4 BCD-coded digit 0 ... 9
- $X_n, Y_n, Z1 \dots Z3$  and  $F_n \dots F_{n+47}$  hexadecimal character 0 ... F
- Hexadecimal A is used to indicate a space character in the message

The variable-length functions messages can be used for example to program the pagers over the air. No special dedicated protocol is currently defined.

M.3.5.7 International paging with additional variable-length message

The bit NI (bit 11 in the control byte, see M.3.5.3, table M.12) is set to "1".

For all types of variable-length messages (alphanumeric, numeric and functions), the country code, according to CCITT Rec. E212, is added in the 3rd block of the second 7A group. This code is three BCD-coded digits long.

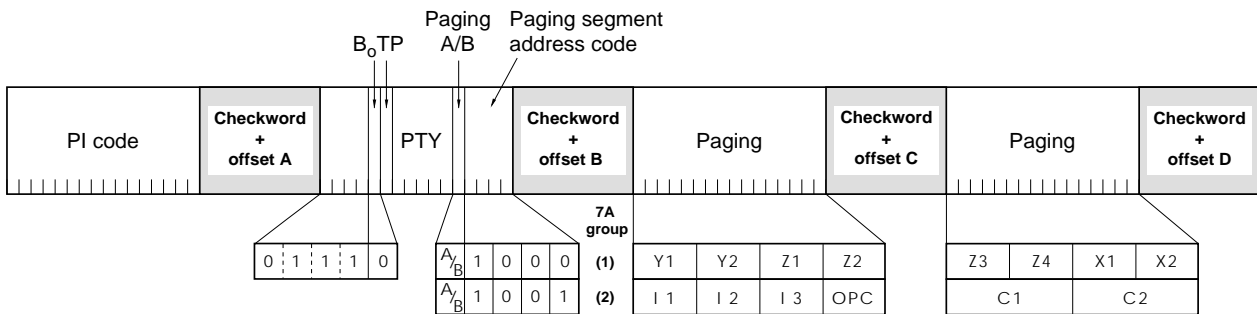


Figure M.17 - The two first 7A groups of an international alphanumeric message

The value of the control byte X1X2 is: 0 0 NI R P3 P2 P1 P0 with NI = 1

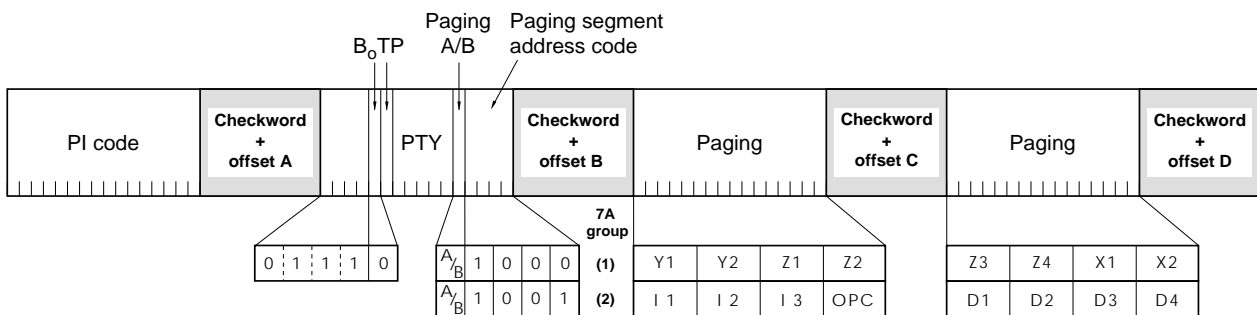


Figure M.18 - The two first 7A groups of an international variable-length numeric message

The value of the control byte X1X2 is: 0 1 NI R P3 P2 P1 P0 with NI = 1

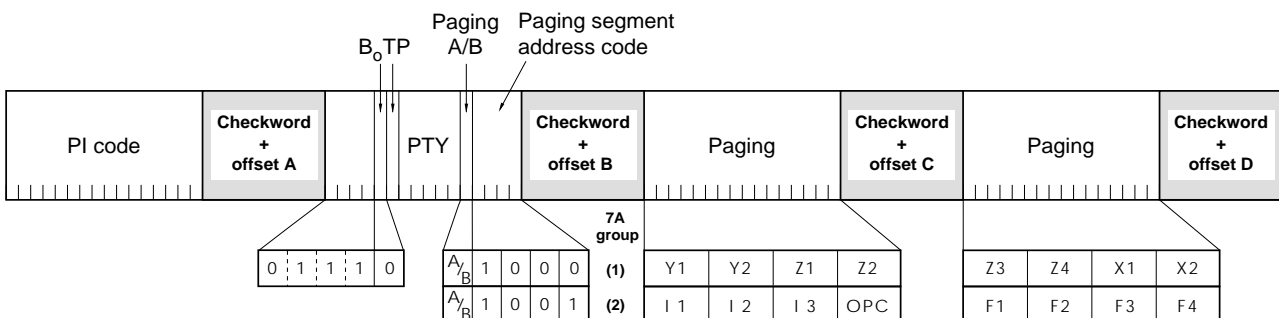


Figure M.19 - The two first 7A groups of an international variable-length functions message



The value of the control byte X1X2 is: 1 1 NI R P3 P2 P1 P0 with NI = 1

Y1 Y2	denotes the group code
Z1 ... Z4	denotes the individual code within the group
X1 X2	denotes the control byte
I1 I2 I3	denotes the country code according to CCITT Rec. E212
I1...I3 and Z4	BCD-coded digits 0 ... 9
Xn, Yn and Z1...Z3	hexadecimal character 0 ... F
$C_n \dots C_{n+23}$	denotes a message character coded in 8 bits according to annex E
$D_n \dots D_{n+47}$	denotes a hexadecimal character 0 ... A Hexadecimal A is used to indicate a space character in the message
$F_n \dots F_{n+47}$	denotes a hexadecimal character 0 ... F
OPC	Operator Code (see note 1 below figure M.10b)

The recommended maximum length of an international alphanumeric message is 78 characters.

The recommended maximum length of an international variable-length numeric message is 156 digits.

The recommended maximum length of an international variable-length functions message is 156 digits.

**M.3.6 Address notification bit versus Pager individual address**

The individual address of a pager is made of a group code (Y1Y2) and an individual code (Z1Z2Z3Z4). The Z2Z3 digits determine a sub group to which the pager is linked.

Z2Z3 are hexadecimal-coded, which determine 256 sub groups.

To improve the battery life time of the pager, address notification bits are allocated in 13A groups and are allocated to several of the 256 sub groups. If a message for at least one pager belonging to the corresponding sub group is going to be transmitted, the address notification bit attached to this sub group is set to 1.

The following table is given by :

$$\text{address notification bit - INTEGER} \left[ \frac{\text{decimal-coded Z2 Z3}}{\left[ \frac{256}{50} \right]} \right]$$

**Table M.17**

*50 address notification bits are allocated*

		Z3															
		0	1	2	3	4	5	6	7	8	9	A	B	C	D	E	F
Z2	0	0	0	0	0	0	0	1	1	1	1	1	2	2	2	2	2
	1	3	3	3	3	3	4	4	4	4	4	5	5	5	5	5	6
	2	6	6	6	6	7	7	7	7	7	8	8	8	8	8	8	9
	3	9	9	9	9	10	10	10	10	10	11	11	11	11	11	12	12
	4	12	12	12	13	13	13	13	13	14	14	14	14	14	15	15	15
	5	15	15	16	16	16	16	16	16	17	17	17	17	17	18	18	18
	6	18	18	19	19	19	19	19	20	20	20	20	20	21	21	21	21
	7	21	22	22	22	22	22	23	23	23	23	23	24	24	24	24	24
	8	25	25	25	25	25	25	26	26	26	26	26	27	27	27	27	27
	9	28	28	28	28	28	29	29	29	29	29	30	30	30	30	30	31
	A	31	31	31	31	32	32	32	32	32	33	33	33	33	33	33	34
	B	34	34	34	34	35	35	35	35	35	36	36	36	36	36	37	37
	C	37	37	37	38	38	38	38	38	39	39	39	39	39	40	40	40
	D	40	40	41	41	41	41	41	41	42	42	42	42	42	43	43	43
	E	43	43	44	44	44	44	44	44	45	45	45	45	45	46	46	46
	F	46	47	47	47	47	47	48	48	48	48	48	49	49	49	49	49

**Note :** Rows 8 to F can be obtained by adding 25 to rows 0 to 7.



**M.4 Examples of the traffic handling capacity of the specified Radio paging system**

The assumptions for the plotted graphs are:

- Numeric messages (10 digits) are conveyed in the Basic paging mode (type 7A groups) <sup>5)</sup>
- One paging call occupies two RDS groups per second
- Each time interval, assigned for battery saving, is fully utilized
- Formula:

$$S = \frac{G/2 \times 3600}{C \times (R+1)} \times N$$

where S = number of subscribers  
 G = number of 7A Groups/sec.  
 R = number of repetitions  
 N = number of networks  
 C = busy-hour call rate

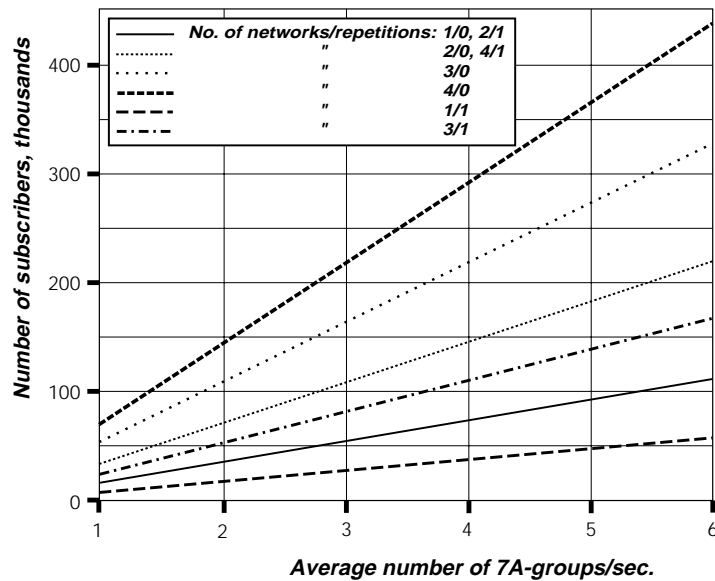


Figure M.20 - Traffic handling capacity, busy hour, call rate = 0.10 calls/pager/hour

<sup>5)</sup> The Basic paging protocol also requires the transmission of one type 1A group per second and one type 4A group on every minute on each network (see M..2.1.1.1 and M.2.1.1.2).

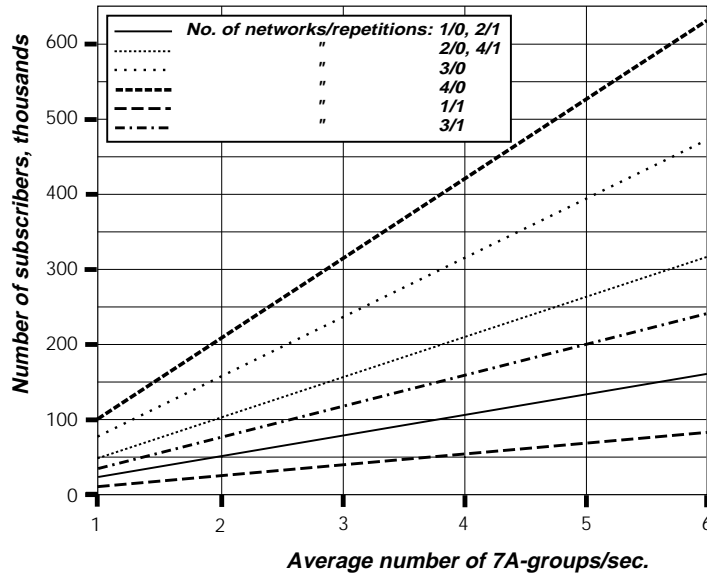


Figure M.21 - Traffic handling capacity, busy hour, call rate = 0.067 calls/pager/hour

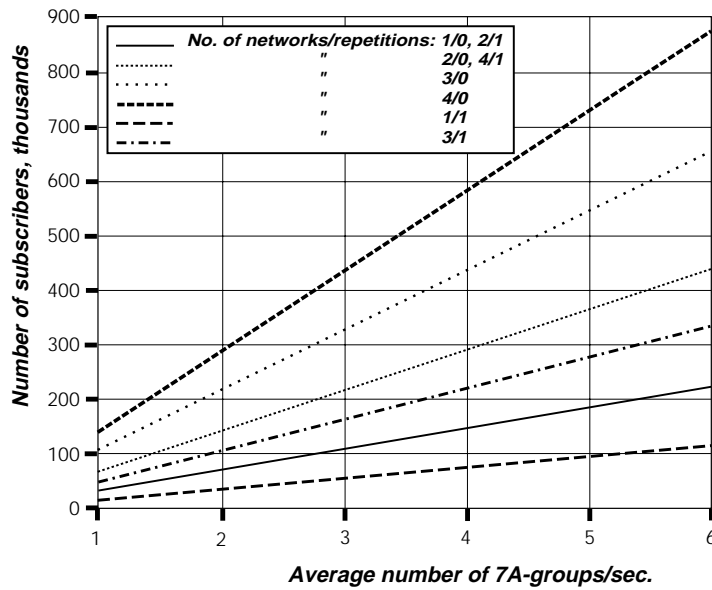


Figure M.22 - Traffic handling capacity, busy hour, call rate = 0.05 calls/pager/hour

ANNEX N  
(normative)

## Country codes and extended country codes for countries outside the European Broadcasting Area

### N.1 African Broadcasting Area

COUNTRY/AREA	ISO CODE	SYMBOL FOR PI	ECC
Ascension Island		A	D1
Cabinda		4	D3
Angola	AO	6	D0
Algeria	DZ	2	E0
Burundi	BI	9	D1
Benin	BJ	E	D0
Burkina Faso	BF	B	D0
Botswana	BW	B	D1
Cameroon	CM	1	D0
Canary Islands	ES	E	E0
Central African Republic	CF	2	D0
Chad	TD	9	D2
Congo	CG	C	D0
Comoros	KM	C	D1
Cape Verde	CV	6	D1
Cote d'Ivoire	CI	C	D2
Democratic Republic of Congo	ZR	B	D2
Djibouti	DJ	3	D0
Egypt	EG	F	E0
Ethiopia	ET	E	D1
Gabon		8	D0
Ghana	GH	3	D1
Gambia	GM	8	D1
Guinea-Bissau	GW	A	D2
Equatorial Guinea	GQ	7	D0
Republic of Guinea	GN	9	D0
Kenya	KE	6	D2
Liberia	LR	2	D1
Libya	LY	D	E1
Lesotho	LS	6	D3
Mauritius	MU	A	D3
Madagascar	MG	4	D0
Mali	ML	5	D0
Mozambique	MZ	3	D2
Morocco	MA	1	E2
Mauritania	MR	4	D1
Malawi	MW	F	D0
Niger	NE	8	D2
Nigeria	NG	F	D1
Namibia	NA	1	D1
Rwanda	RW	5	D3
Sao Tome & Principe	ST	5	D1
Sechelles	SC	8	D3
Senegal	SN	7	D1
Sierra Leone	SL	1	D2

COUNTRY/AREA	ISO CODE	SYMBOL FOR PI	ECC
Somalia	SO	7	D2
South Africa	ZA	A	D0
Sudan	SD	C	D3
Swaziland	SZ	5	D2
Togo	TG	D	D0
Tunisia	TN	7	E2
Tanzania	TZ	D	D1
Uganda	UG	4	D2
Western Sahara	EH	3	D3
Zambia	ZM	E	D2
Zanzibar		D	D2
Zimbabwe	ZW	2	D2

N.2 Former Soviet Union

COUNTRY/AREA	ISO CODE	SYMBOL FOR PI	ECC
Armenia	AM	A	E4
Azerbaijan	AZ	B	E3
Belarus	BY	F	E3
Estonia	EE	2	E4
Georgia	GE	C	E4
Kazakhstan	KZ	D	E3
Kyrgyzstan	KG	3	E4
Latvia	LV	9	E3
Lithuania	LT	C	E2
Moldova	MD	1	E4
Russian Federation	RU	7	E0
Tajikistan	TJ	5	E3
Turkmenistan	TM	E	E4
Ukraine	UA	6	E4
Uzbekistan	UZ	B	E4

## N.3 Allocations of symbols for countries in ITU Region 2

COUNTRY/AREA	ISO CODE	SYMBOL FOR PI	ECC
Anguilla	AI	1	A2
Antigua and Barbuda	AG	2	A2
Argentina	AR	A	A2
Aruba	AW	3	A4
Bahamas	BS	F	A2
Barbados	BB	5	A2
Belize	BZ	6	A2
Bermuda	BM	C	A2
Bolivia	BO	1	A3
Brazil	BR	B	A2
Canada	CA	B, C, D, E	A1
Cayman Islands	KY	7	A2
Chile	CL	C	A3
Colombia	CO	2	A3
Costa Rica	CR	8	A2
Cuba	CU	9	A2
Dominica	DM	A	A3
Dominican Republic	DO	B	A3
Ecuador	EC	3	A2
El Salvador	SV	C	A4
Falkland Islands	FK	4	A2
Greenland	GL	F	A1
Grenada	GD	D	A3
Guadeloupe	GP	E	A2
Guatemala	GT	1	A4
Guiana	GF	5	A3
Guyana	GY	F	A3
Haiti	HT	D	A4
Honduras	HN	2	A4
Jamaica	JM	3	A3
Martinique	MQ	4	A3
Mexico	MX	B, D, E, F	A5
Montserrat	MS	5	A4
Netherlands Antilles	AN	D	A2
Nicaragua	NI	7	A3
Panama	PA	9	A3
Paraguay	PY	6	A3
Peru	PE	7	A4
Puerto Rico	PR	1..9, A, B, D, E	A0
Saint Kitts	KN	A	A4
Saint Lucia	LC	B	A4
St Pierre and Miquelon	PM	F	A6
Saint Vincent	VC	C	A5
Suriname	SR	8	A4
Trinidad and Tobago	TT	6	A4
Turks and Caicos Islands	TC	E	A3
United States of America	US	1..9, A, B, D, E	A0
Uruguay	UY	9	A4
Venezuela	VE	E	A4
Virgin Islands [British]	VG	F	A5
Virgin Islands [USA]	VI	1..9, A, B, D, E	A0



## N.4 Allocations of symbols for countries in ITU Region 3

COUNTRY/AREA	ISO CODE	SYMBOL FOR PI	ECC
Afghanistan	AF	A	F0
Saudi Arabia	SA	9	F0
Australia	AU		
Australia Capital Territory		1	F0
New South Wales		2	F0
Victoria		3	F0
Queensland		4	F0
South Australia		5	F0
Western Australia		6	F0
Tasmania		7	F0
Northern Territory		8	F0
Bangladesh	BD	3	F1
Bahrain	BH	E	F0
Myanmar [Burma]	MM	B	F0
Brunei Darussalam	BN	B	F1
Bhutan	BT	2	F1
Cambodia	KH	3	F2
China	CN	C	F0
Sri Lanka	LK	C	F1
Fiji	FJ	5	F1
Hong Kong	HK	F	F1
India	IN	5	F2
Indonesia	ID	C	F2
Iran	IR	8	F1
Iraq	IQ	B	E1
Japan	JP	9	F2
Kiribati	KI	1	F1
Korea [South]	KR	E	F1
Korea [North]	KP	D	F0
Kuwait	KW	1	F2
Laos	LA	1	F3
Macau	MO	6	F2
Malaysia	MY	F	F0
Maldives	MV	B	F2
Micronesia	FM	E	F3
Mongolia	MN	F	F3
Nepal	NP	E	F2
Nauru	NR	7	F1
New Zealand	NZ	9	F1
Oman	OM	6	F1
Pakistan	PK	4	F1
Philippines	PH	8	F2
Papua New Guinea	PG	9	F3
Qatar	QA	2	F2
Soloman Islands	SB	A	F1
Western Samoa	WS	4	F2
Singapore	SG	A	F2
Taiwan	TW	D	F1

COUNTRY/AREA	ISO CODE	SYMBOL FOR PI	ECC
Thailand	TH	2	F3
Tonga	TO	3	F3
UAE	AE	D	F2
Vietnam	VN	7	F2
Vanuatu	VU	F	F2
Yemen	YE	B	F3

**ANNEX P**  
**(normative)**

## List of abbreviations

The abbreviations which are commonly used in context with the Radio Data System are listed below in alphabetical order. Most of these terms are explained in the description of features (see clause 4).

<b>AF</b>	<b>A</b> lternative <b>F</b> requencies list
<b>AID</b>	<b>A</b> pplications <b>I</b> dentification for ODA
<b>ARI</b>	<b>A</b> utofahrer <b>R</b> undfunk <b>I</b> nformation
<b>CI</b>	<b>C</b> ountry <b>I</b> dentifier
<b>CT</b>	<b>C</b> lock <b>T</b> ime and date
<b>DI</b>	<b>D</b> ecoder <b>I</b> dentification
<b>ECC</b>	<b>E</b> xtended <b>C</b> ountry <b>C</b> ode
<b>EG</b>	<b>E</b> xtended <b>G</b> eneric indicator
<b>EON</b>	<b>E</b> nhanced <b>O</b> ther <b>N</b> etworks information
<b>EWS</b>	<b>E</b> mergency <b>W</b> arning <b>S</b> ystem
<b>IH</b>	<b>I</b> n <b>H</b> ouse application
<b>ILS</b>	<b>I</b> nternational <b>L</b> inkage <b>S</b> et indicator
<b>LA</b>	<b>L</b> inkage <b>A</b> ctuator
<b>LI</b>	<b>L</b> inkage <b>I</b> dentifier
<b>LSN</b>	<b>L</b> inkage <b>S</b> et <b>N</b> umber
<b>MS</b>	<b>M</b> usic <b>S</b> peech switch
<b>ODA</b>	<b>O</b> pen <b>D</b> ata <b>A</b> pplications
<b>PI</b>	<b>P</b> rogramme <b>I</b> dentification
<b>PIN</b>	<b>P</b> rogramme <b>I</b> tem <b>N</b> umber
<b>PS</b>	<b>P</b> rogramme <b>S</b> ervice name
<b>PTY</b>	<b>P</b> rogramme <b>T</b> Ype
<b>PTYI</b>	<b>D</b> ynamic <b>P</b> rogramme <b>T</b> Ype <b>I</b> ndicator
<b>PTYN</b>	<b>P</b> rogramme <b>T</b> Ype <b>N</b> ame
<b>RBDS</b>	<b>R</b> adio <b>B</b> roadcast <b>D</b> ata <b>S</b> ystem [15]
<b>RDS</b>	<b>R</b> adio <b>D</b> ata <b>S</b> ystem
<b>RP</b>	<b>R</b> adio <b>P</b> aging
<b>RT</b>	<b>R</b> adio <b>T</b> ext
<b>TA</b>	<b>T</b> raffic <b>A</b> nnouncement flag
<b>TDC</b>	<b>T</b> ransparent <b>D</b> ata <b>C</b> hannels
<b>TMC</b>	<b>T</b> raffic <b>M</b> essage <b>C</b> hannel
<b>TP</b>	<b>T</b> raffic <b>P</b> rogramme flag

See annex M for abbreviations associated with Radio Paging.

**ANNEX Q**  
**(informative)****Bibliography**

- [1] Information processing systems - Open Systems Interconnection - Basic reference model. ISO Publication 7498.
- [2] Bennett, W.R., and Davey, J.R.: Data transmissions. Published by McGraw-Hill, New York, 1965.
- [3] Peterson, W.W., and Brown, D.T.: Cyclic codes for error detection. Proceedings of the IRE, No. 49, January 1961, pp. 228-235.
- [4] Peterson, W.W., and Weldon, E.J.: Error-correcting codes. Published by MIT Press, Cambridge Mass., second edition, 1972.
- [5] Kasami, T.: Optimum shortened cyclic codes for burst error correction. IEEE Transactions on Information Theory (IT9), No. 4, 1963, pp. 105-109.
- [6] Hellman, M.E.: Error detection in the presence of synchronisation loss. IEEE Transactions on Communications COM-23, No. 5, 1975, pp. 538-539.
- [7] Hellman, M.E.: Error detection made simple. International Conference on Communication, Minneapolis, Minnesota (USA), June 1974. Conference Record, pp. 9A1-9A4.
- [8] EBU (1984): Specifications of the radio data system RDS for VHF/FM sound broadcasting. Doc. Tech 3244 and Supplements 1 to 4. European Broadcasting Union.
- [9] Swedish Telecommunication Administration (1986): Paging receiver for the Radio Data System. Doc. 1301/A694 3798 (Alternative B).
- [10] CCIR: Report 900-1 (1986) Radio-paging systems - Standardization of code and format (Annex II).
- [11] ITU-R Recommendation BS.643-2 (1995) System for automatic tuning and other applications in FM radio receivers for use with the pilot-tone system
- [12] EBU (1982): Displayable character sets for broadcast teletext (2nd edition, 1982 + corrigendum 1983). Doc. Tech 3232. European Broadcasting Union.
- [13] EBU (1986): Specifications of the systems of the MAC/packet family. Doc. Tech 3258. European Broadcasting Union.
- [14] EBU (1990): Proposed enhancements of the EBU on CENELEC EN 50067 (RDS). Doc. SPB 482. European Broadcasting Union.
- [15] EIA/NAB National Radio Systems Committee (1998): United States RBDS Standard - Specification of the radio broadcast data system (RBDS).
- [16] EBU (1990): Guidelines for the implementation of the RDS system. Doc. Tech 3260.
- [17] RDS Forum: (1999): Radio Data System (RDS) Guidelines, to be published in Autumn 1999  
See also [www.rds.org.uk/](http://www.rds.org.uk/).
- [18] IEC 60315-9 (1996): Methods of measurement of radio receivers for various classes of emission - Part 9: Measurement of the characteristics relevant to Radio Data System (RDS) reception.
- [19] Wright, S.: The Broadcaster's Guide to RDS  
Published by Focal Press, Boston, Oxford, Johannesburg, Melbourne, New Delhi, Singapore, 1997, ISBN 0-240-80278-0.
- [20] Kopitz, D. and Marks, B.: RDS - The Radio Data System  
Published by Artech House Publishers, Boston and London, 1999, ISBN 0-89006-744-9.